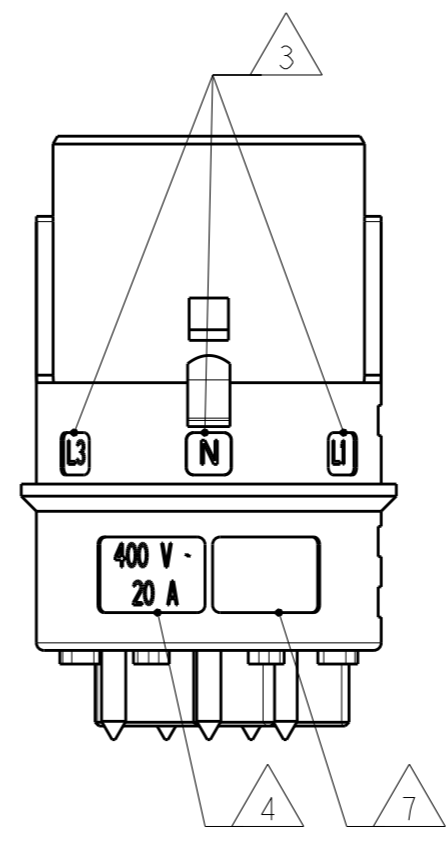
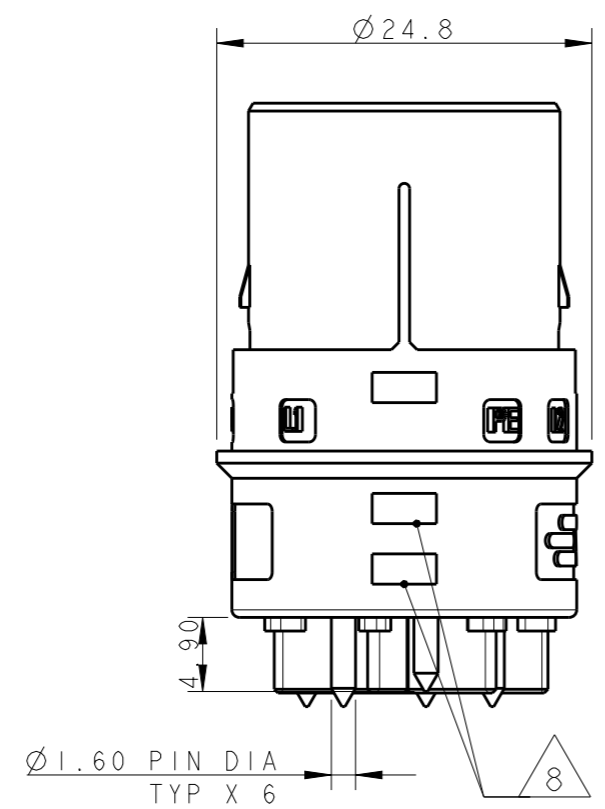
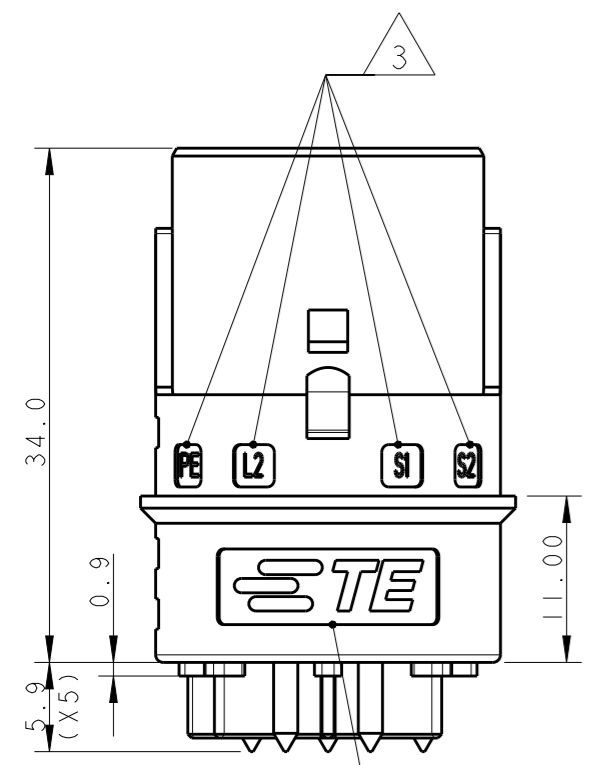
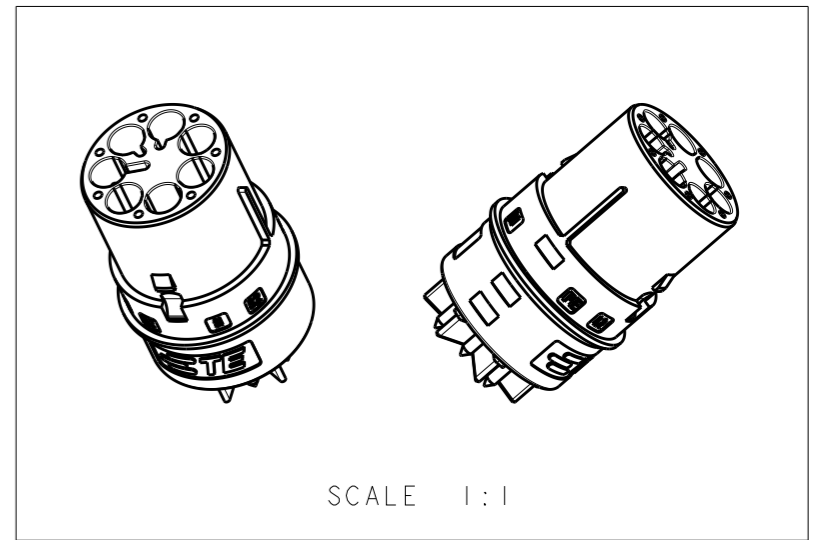
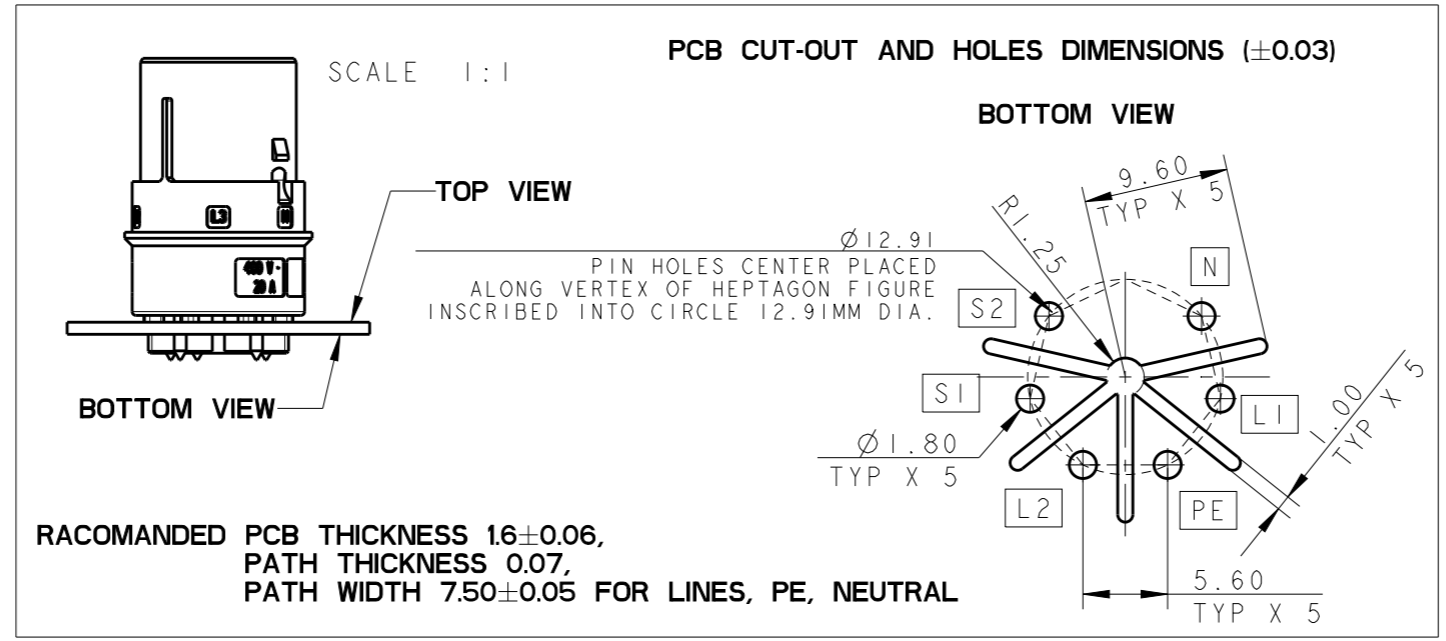
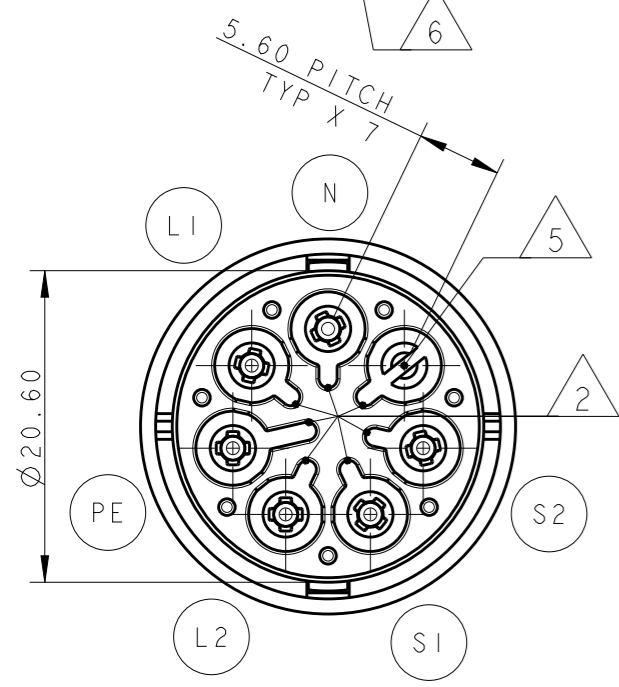


THIS DRAWING IS UNPUBLISHED. RELEASED FOR PUBLICATION 2011
 © COPYRIGHT 2011 BY - ALL RIGHTS RESERVED.

LOC	DIST	REVISIONS			
P	LTR	DESCRIPTION	DATE	DWN	APVD
		5	UPDATED	23JUL2013	MZ JC
		A	PARTS RELEASED FOR PRODUCTION	14NOV2013	KR JC
		AI	REVISED PER ECR-18-006945	30MAY2018	NG MZ



- NOTES:
- 1 MATERIAL: PA GF (NATURAL)
- HOUSING: PA GF
- CONTACTS: BRASS TIN PLATED
 - 2 ALL POLARIZATION KEYS SHOWN FOR REF ONLY
 - 3 WAYS I.D.
 - 4 VOLTAGE AND CURRENT RATINGS
 - 5 RIB CLOSING CAVITY BY CHANGE OVER
 - 6 TE LOGO
 - 7 AREA FOR AGENCIES APPROVAL LOGO
 - 8 VISUAL INDICATOR FOR PE CONDUCTOR



THIS DRAWING IS A CONTROLLED DOCUMENT.		DWN A. BERNARDI 31MAR2011	TE Connectivity	
DIMENSIONS: mm		CHK M. ZUCCA 31MAR2011		
TOLERANCES UNLESS OTHERWISE SPECIFIED:		APVD G. TURCO 31MAR2011	NAME PCB PIN CONNECTOR 6 POLES M-LINE NECTOR	
0 PLC ±- 1 PLC ±0.3 2 PLC ±0.20 3 PLC ±- 4 PLC ±- ANGLES ±3°		PRODUCT SPEC -	SIZE A300779	
MATERIAL -		APPLICATION SPEC -	DRAWING NO C-293672	
FINISH -		WEIGHT -	RESTRICTED TO -	
		Customer Drawing	SCALE 2:1	SHEET 1 OF 2
			REV AI	

THIS DRAWING IS UNPUBLISHED.

RELEASED FOR PUBLICATION

2011

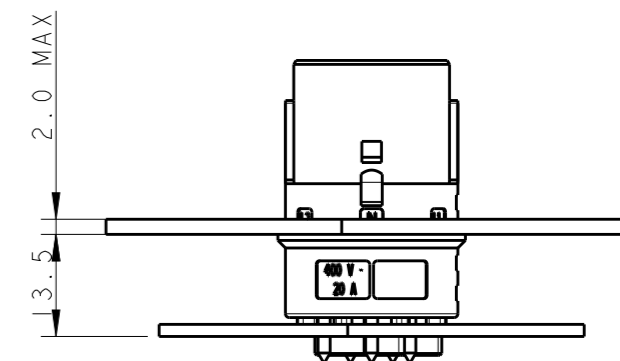
© COPYRIGHT 2011 BY -

ALL RIGHTS RESERVED.

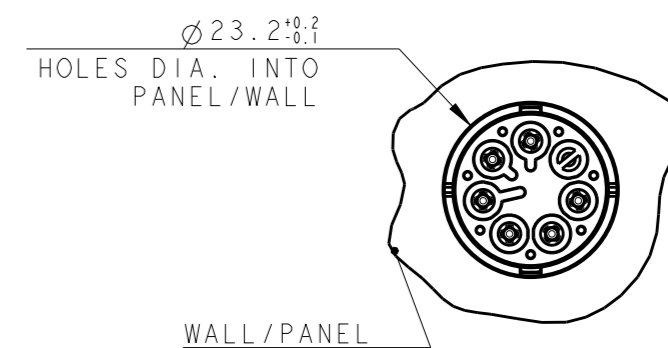
LOC	DIST	REVISIONS			
P	LTR	DESCRIPTION	DATE	DWN	APVD
	-	SEE SHEET 1	-	-	-

POLARIZATION TYPES

POLARIZATION TYPE "C"	POLARIZATION TYPE "D"	POLARIZATION TYPE "E"
PNs 0-293672-3	PNs 0-293672-4	PNs 0-293672-5



SCALE 1:1



OBSOLETE		E	NATURAL	PIN PCB CONN 6 POLES NECTOR* M-LINE	A	0-293672-5
		D	NATURAL	PIN PCB CONN 6 POLES NECTOR* M-LINE	A	0-293672-4
		C	NATURAL	PIN PCB CONN 6 POLES NECTOR* M-LINE	A	0-293672-3
NOTE	POL. KEYING	COLOUR	DESCRIPTION	REV.	P/N	

THIS DRAWING IS A CONTROLLED DOCUMENT.		DWN A. BERNARDI 31MAR2011	TE Connectivity													
DIMENSIONS: mm		CHK M. ZUCCA 31MAR2011														
TOLERANCES UNLESS OTHERWISE SPECIFIED:		APVD G. TURCO 31MAR2011	NAME PCB PIN CONNECTOR 6 POLES M-LINE NECTOR													
<table border="0"> <tr><td>0 PLC</td><td>±-</td></tr> <tr><td>1 PLC</td><td>±0.3</td></tr> <tr><td>2 PLC</td><td>±0.20</td></tr> <tr><td>3 PLC</td><td>±-</td></tr> <tr><td>4 PLC</td><td>±-</td></tr> <tr><td>ANGLES</td><td>±3°</td></tr> </table>		0 PLC	±-	1 PLC	±0.3	2 PLC	±0.20	3 PLC	±-	4 PLC	±-	ANGLES	±3°	PRODUCT SPEC -	SIZE A300779	
0 PLC	±-															
1 PLC	±0.3															
2 PLC	±0.20															
3 PLC	±-															
4 PLC	±-															
ANGLES	±3°															
MATERIAL -		APPLICATION SPEC -	DRAWING NO C-293672													
FINISH -		WEIGHT -	RESTRICTED TO -													
		Customer Drawing	SCALE 2:1	SHEET 2 OF 2												
			REV A1													

X-ON Electronics

Largest Supplier of Electrical and Electronic Components

Click to view similar products for [Lighting Connectors](#) category:

Click to view products by [TE Connectivity](#) manufacturer:

Other Similar products are found below :

[293300-7](#) [293660-5](#) [CNX_H03_NTP](#) [30-9767-BU](#) [3605](#) [3-21030-1](#) [ZCH-110-RGB-I](#) [503471-0290](#) [ZCH-110-RGB-J](#) [217-0716-200](#)
[1954563-1](#) [1-293657-2](#) [2834036-1](#) [2834037-1](#) [1-2213222-4](#) [2-2213222-4](#) [2213222-4](#) [2834122-3](#) [2834122-5](#) [2834135-2](#) [FLA-R4142-30](#)
[FLA-R4162-30](#) [FLA-R2142-30](#) [FLA-R2141-30](#) [FLA-R2162-30](#) [FLA-R2161-30](#) [FLA-R0161-30](#) [FLA-R0141-30](#) [FLA-R0142-30](#) [FLA-](#)
[R0162-30](#) [FLA-C00-00](#) [DGA00010553](#) [CNXV04NTP](#) [104128-0610](#) [503485-0000 \(Cut Strip\)](#) [503485-0000 \(Loose Piece\)](#) [503485-0000](#)
[\(MINI Reel\)](#) [1-2834074-2](#) [1-2834074-3](#) [1357-AC PLUG W2C \(CHINA\)](#) [1357-AC PLUG W2 \(USA\)](#) [104266-0110](#) [CNXV02NTP](#) [2106212-1](#)
[2-2834074-2](#) [104266-0210](#) [293470-1](#) [293651-2](#) [293651-4](#) [1-2834006-2](#)