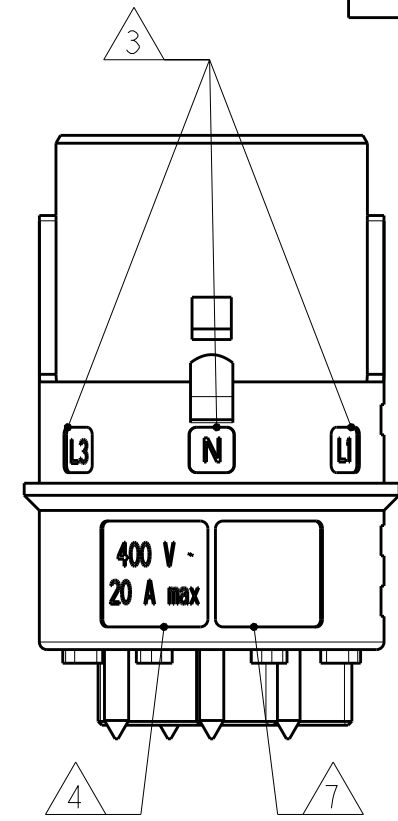
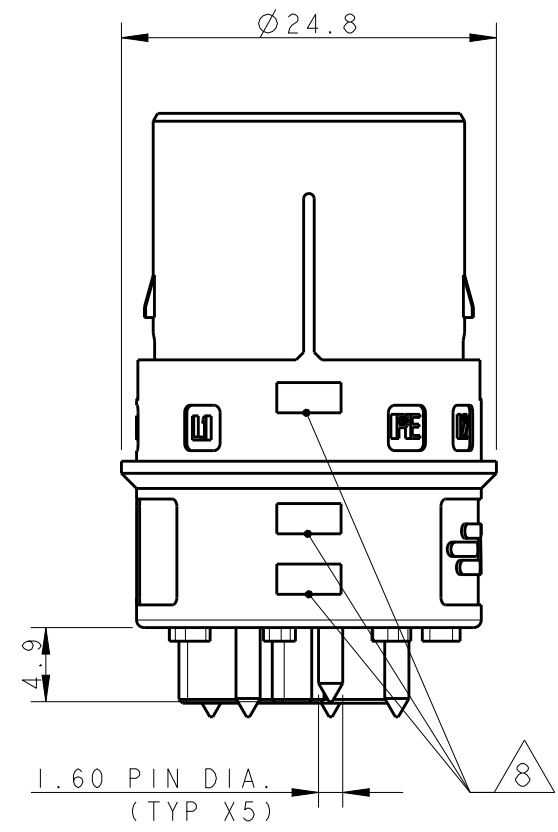
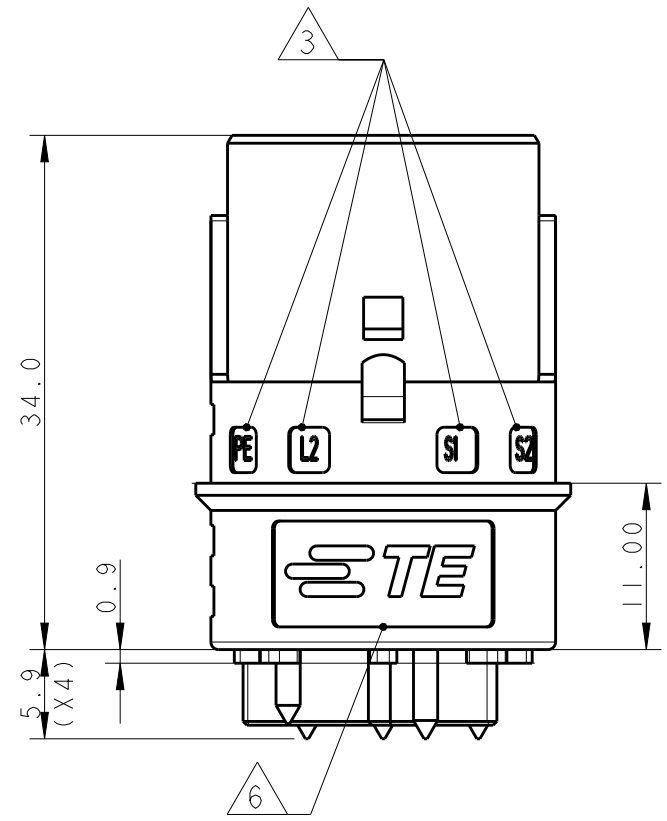


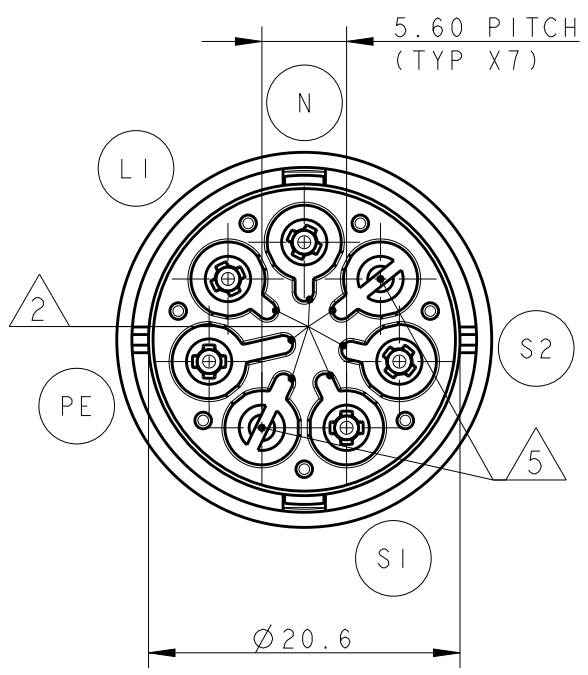
THIS DRAWING IS UNPUBLISHED. RELEASED FOR PUBLICATION 2011  
 © COPYRIGHT 2011 ALL RIGHTS RESERVED.

LOC	DIST	REVISIONS			
P	LTR	DESCRIPTION	DATE	DWN	APVD
1	-	AI	REVISED PER ECR-18-006945	30MAY2018	NG MZ



NOTES:

- ① MATERIAL: PA GF (NATURAL COLOUR)
- ② ALL POLARIZATION KEYS SHOWN FOR REF ONLY
- ③ WAYS I.D.
- ④ VOLTAGE AND CURRENT RATINGS
- ⑤ RIB CLOSING CAVITIES BY CHANGE OVER
- ⑥ TE LOGO
- ⑦ AREA FOR AGENCIES APPROVAL LOGO
- ⑧ VISUAL INDICATOR FOR PE CONDUCTOR
- ⑨ POLARISATION KEY "TYPE D" SUITABLE FOR DALI APPLICATION



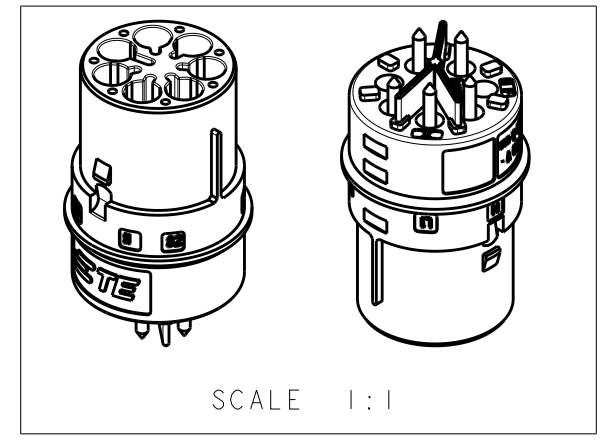
**PCB CUT-OUT AND HOLES DIMENSIONS (±0.03)**

**BOTTOM VIEW**

TOP VIEW

BOTTOM VIEW

**RACOMANDED PCB THICKNESS 1.6±0.06, PATH THICKNESS 0.07, PATH WIDTH 7.50±0.05 FOR LINES, PE, NEUTRAL**



THIS DRAWING IS A CONTROLLED DOCUMENT.		DWN M. ZUCCA 04APR2011	TE Connectivity	
DIMENSIONS: mm		CHK M. ZUCCA 04APR2011		
TOLERANCES UNLESS OTHERWISE SPECIFIED:		APVD G. TURCO 04APR2011	NAME	
0 PLC ±-	1 PLC ±0.3	PRODUCT SPEC	PIN PCB CONNECTOR	
2 PLC ±0.20	3 PLC ±-	APPLICATION SPEC	NECTOR* M-LINE 5 POLES	
4 PLC ±-	ANGLES ±3°	WEIGHT	SIZE A3	CAGE CODE 00779
MATERIAL -	FINISH -	Customer Drawing	DRAWING NO. C-293695	RESTRICTED TO -
			SCALE 2:1	SHEET 1 OF 2
			REV AI	

THIS DRAWING IS UNPUBLISHED.

RELEASED FOR PUBLICATION

2011

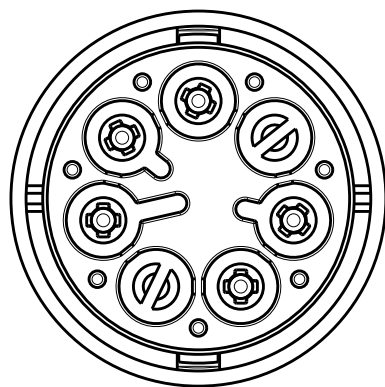
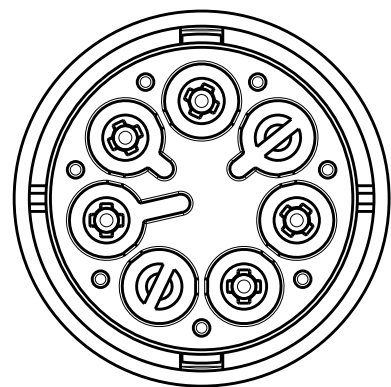
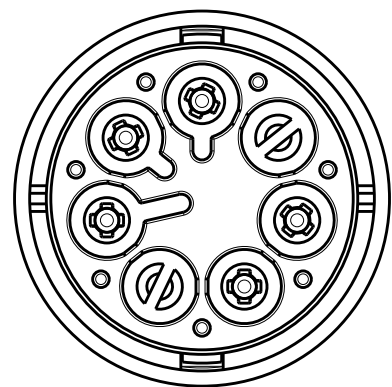
© COPYRIGHT 2011

ALL RIGHTS RESERVED.

LOC	DIST	REVISIONS			
P	LTR	DESCRIPTION	DATE	DWN	APVD
	-	SEE SHEET 1	-	-	-

### POLARIZATION TYPES

POLARIZATION TYPE "A"      POLARIZATION TYPE "B"      POLARIZATION TYPE "C"



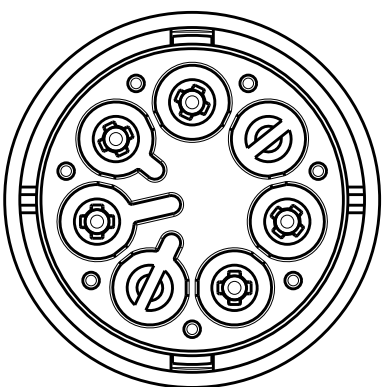
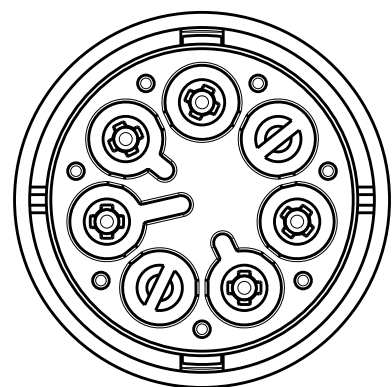
PN 0-293695-1

PN 0-293695-2

PN 0-293695-3

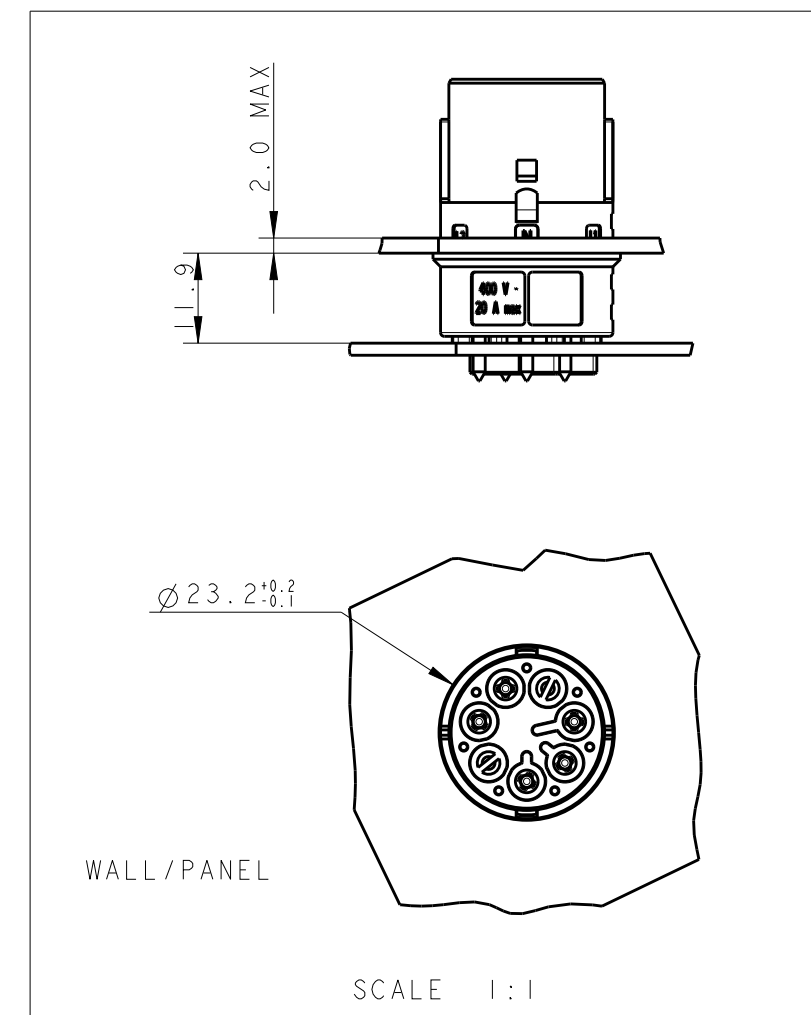
POLARIZATION TYPE "D"

POLARIZATION TYPE "E"



PN ~~0-293695-4~~

PN ~~0-293695-5~~



OBSOLETE		E	NATURAL	PIN PCB CONNECTOR NECTOR* M-LINE 5 POLES	A	<del>0-293695-5</del>
		D	NATURAL	PIN PCB CONNECTOR NECTOR* M-LINE 5 POLES	A	<del>0-293695-4</del>
		C	NATURAL	PIN PCB CONNECTOR NECTOR* M-LINE 5 POLES	A	0-293695-3
		B	NATURAL	PIN PCB CONNECTOR NECTOR* M-LINE 5 POLES	A	0-293695-2
		A	NATURAL	PIN PCB CONNECTOR NECTOR* M-LINE 5 POLES	A	0-293695-1
NOTE		POL. KEYING	COLOUR	DESCRIPTION	REV.	PART NUMBER

THIS DRAWING IS A CONTROLLED DOCUMENT.		DWN M. ZUCCA 04APR2011	TE Connectivity			
DIMENSIONS: mm		CHK M. ZUCCA 04APR2011				
TOLERANCES UNLESS OTHERWISE SPECIFIED:		APVD G. TURCO 04APR2011	NAME PIN PCB CONNECTOR NECTOR* M-LINE 5 POLES			
0 PLC ±- 1 PLC ±0.3 2 PLC ±0.20 3 PLC ±- 4 PLC ±- ANGLES ±3°		PRODUCT SPEC -	SIZE A300779			
MATERIAL -		APPLICATION SPEC -	DRAWING NO C-293695			
FINISH -		WEIGHT -	RESTRICTED TO -			
		Customer Drawing	SCALE 2:1		SHEET 2 OF 2 REV A1	

## X-ON Electronics

Largest Supplier of Electrical and Electronic Components

*Click to view similar products for [Lighting Connectors](#) category:*

*Click to view products by [TE Connectivity](#) manufacturer:*

Other Similar products are found below :

[293300-7](#) [293660-5](#) [CNX\\_H03\\_NTP](#) [30-9767-BU](#) [3605](#) [3-21030-1](#) [ZCH-110-RGB-I](#) [503471-0290](#) [ZCH-110-RGB-J](#) [217-0716-200](#)  
[1954563-1](#) [1-293657-2](#) [2834036-1](#) [2834037-1](#) [1-2213222-4](#) [2-2213222-4](#) [2213222-4](#) [2834122-3](#) [2834122-5](#) [2834135-2](#) [FLA-R4142-30](#)  
[FLA-R4162-30](#) [FLA-R2142-30](#) [FLA-R2141-30](#) [FLA-R2162-30](#) [FLA-R2161-30](#) [FLA-R0161-30](#) [FLA-R0141-30](#) [FLA-R0142-30](#) [FLA-](#)  
[R0162-30](#) [FLA-C00-00](#) [DGA00010553](#) [CNXV04NTP](#) [104128-0610](#) [503485-0000 \(Cut Strip\)](#) [503485-0000 \(Loose Piece\)](#) [503485-0000](#)  
[\(MINI Reel\)](#) [1-2834074-2](#) [1-2834074-3](#) [1357-AC PLUG W2C \(CHINA\)](#) [1357-AC PLUG W2 \(USA\)](#) [104266-0110](#) [2106212-1](#) [2-2834074-2](#)  
[104266-0210](#) [293470-1](#) [293651-2](#) [293651-4](#) [1-2834006-2](#) [293651-1](#)