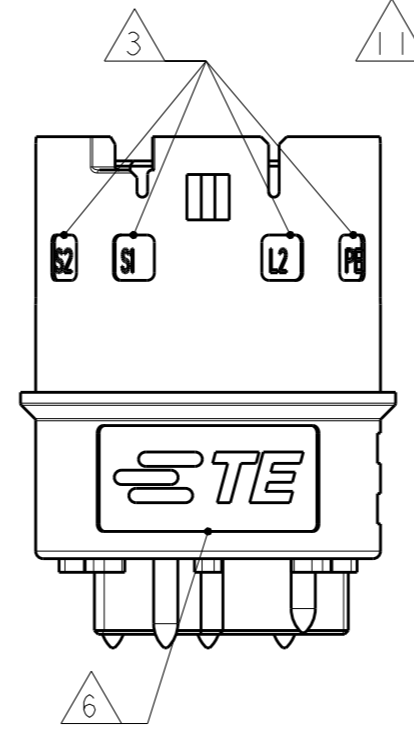
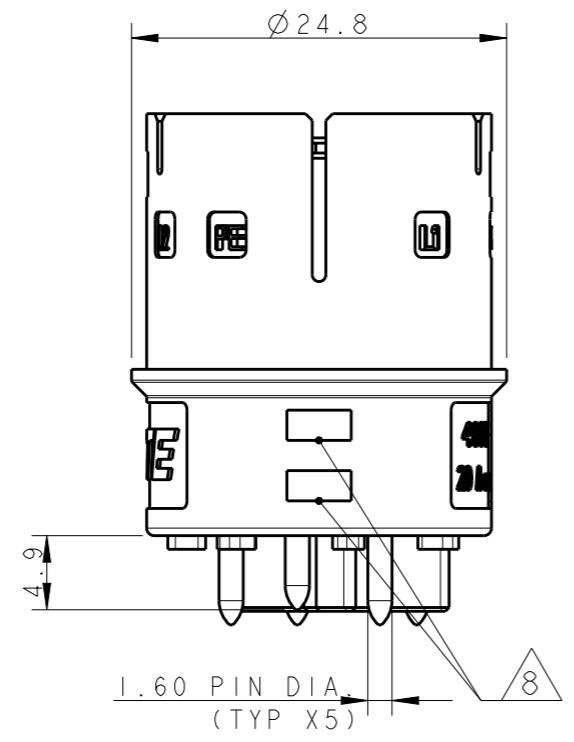
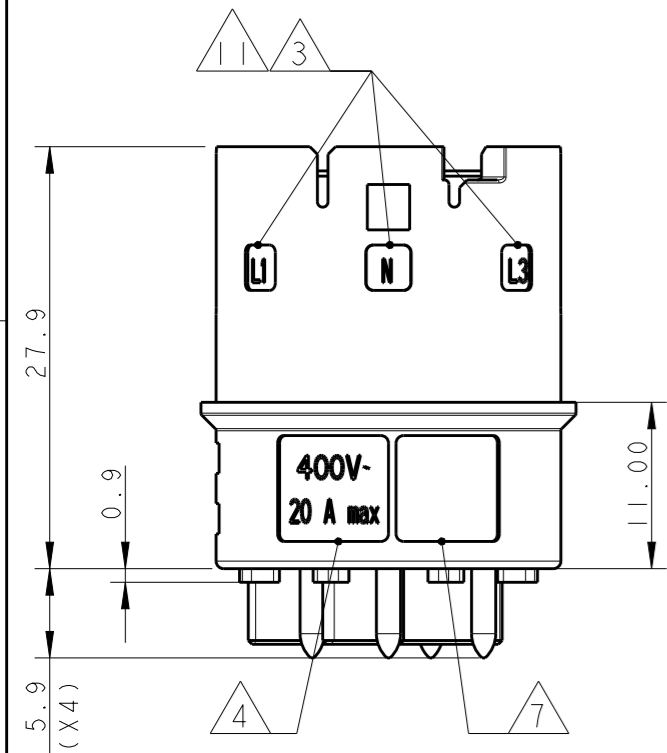
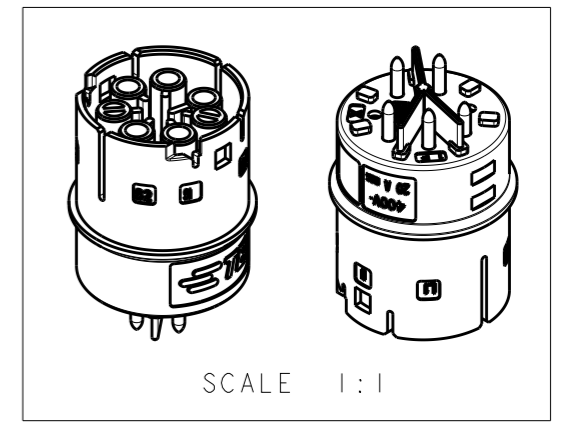
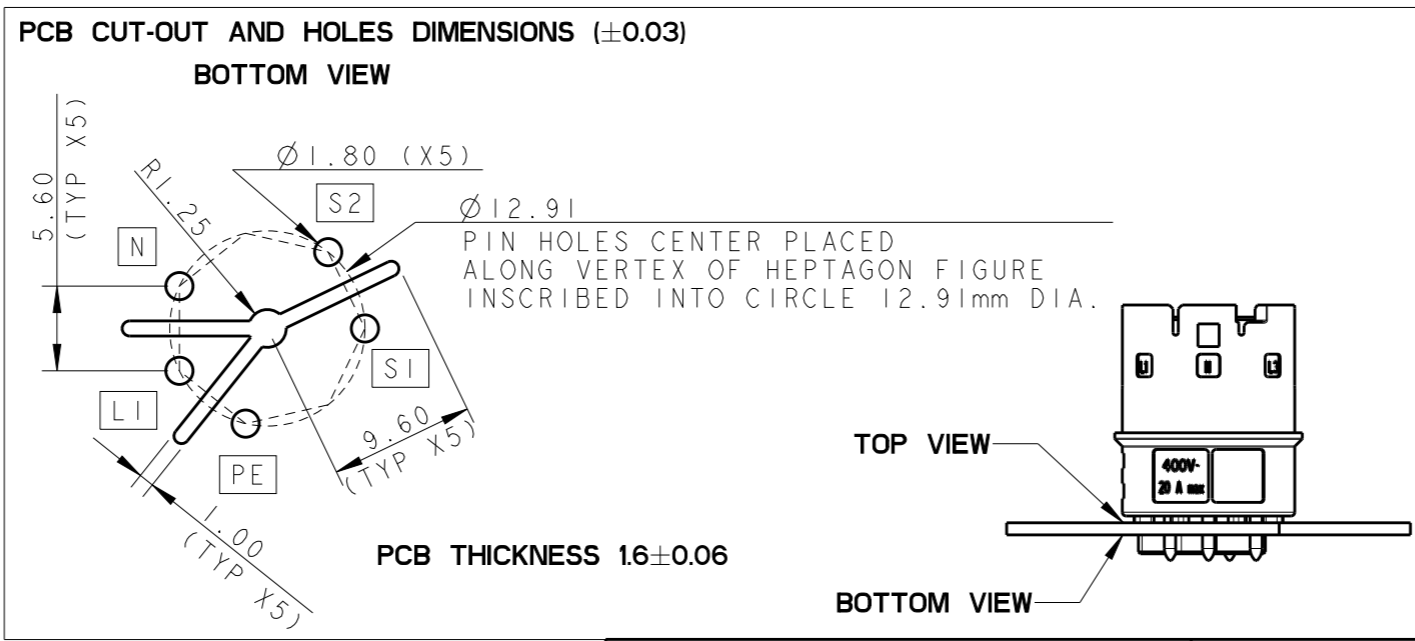
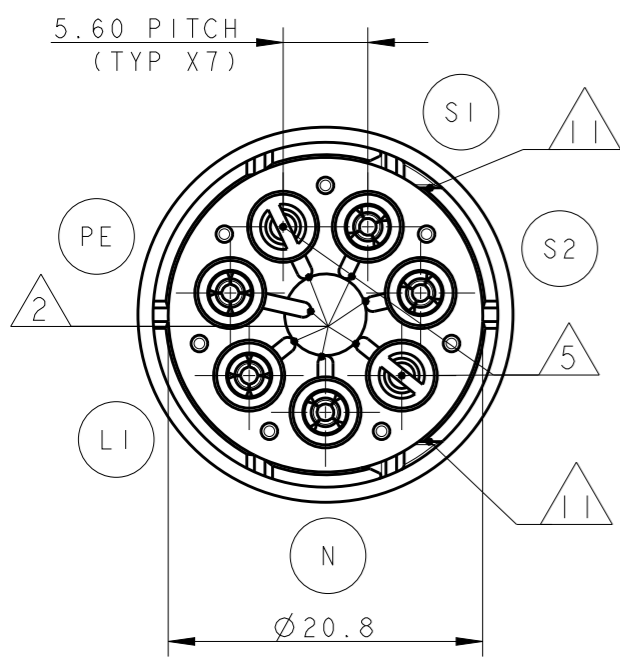


THIS DRAWING IS UNPUBLISHED. RELEASED FOR PUBLICATION 2011  
 © COPYRIGHT 2011 ALL RIGHTS RESERVED.

| LOC | DIST | REVISIONS |     |                               |           |     |      |
|-----|------|-----------|-----|-------------------------------|-----------|-----|------|
|     |      | P         | LTR | DESCRIPTION                   | DATE      | DWN | APVD |
| 1   | -    | A         |     | PARTS RELEASED FOR PRODUCTION | 13NOV2013 | MZ  | JC   |
|     |      | AI        |     | ECR-18-006945                 | 31MAY2018 | SR  | MZ   |



- NOTES:
- 1 MATERIAL: PA GF (NATURAL COLOUR)
  - 2 ALL POLARIZATION KEYS SHOWN FOR REF ONLY
  - 3 WAYS I.D.
  - 4 VOLTAGE AND CURRENT RATINGS
  - 5 RIB CLOSING CAVITIES BY CHANGE OVER
  - 6 TE LOGO
  - 7 AREA FOR AGENCIES APPROVAL LOGO
  - 8 VISUAL INDICATOR FOR PE CONDUCTOR
  - 9) SEE C-DRAWING 293682 (LOCKING CAP) TO GET IP 40
  - 10 POLARISATION KEY "TYPE D" SUITABLE FOR DALI APPLICATION
  - 11 SLOTS TO ALLOW DELATCHING TOOL OPERATION. FOR DELATCHING TOOL AND OPERATION REFER TO APPLICATION SPECIFICATION



|  |  |                  |          |           |                     |                        |           |                              |        |  |
|--|--|------------------|----------|-----------|---------------------|------------------------|-----------|------------------------------|--------|--|
| THIS DRAWING IS A CONTROLLED DOCUMENT. |  | DWN              | M. ZUCCA | 04APR2011 | <br>TE Connectivity | NAME                   |           | SOCKET CONNECTOR PCB VERSION |        |  |
| DIMENSIONS:                            |  | CHK              | M. ZUCCA | 04APR2011 |                     | NECTOR* M-LINE 5 POLES |           | RESTRICTED TO                |        |  |
| mm                                     |  | APVD             | G. TURCO | 04APR2011 |                     | SIZE                   | CAGE CODE | DRAWING NO                   | -      |  |
|  |  | PRODUCT SPEC     | -        |           |                     | A300779                | C-293696  | -                            |        |  |
| TOLERANCES UNLESS OTHERWISE SPECIFIED: |  | APPLICATION SPEC | -        |           | WEIGHT              | -                      |           | SCALE                        | 2:1    |  |
| 0 PLC ±-                               |  | 1 PLC ±0.3       | -        |           | Customer Drawing    | -                      |           | SHEET                        | 1 OF 2 |  |
| 2 PLC ±0.20                            |  | 3 PLC ±-         | -        |           | -                   |                        | REV       | AI                           |        |  |
| 4 PLC ±-                               |  | ANGLES ±3°       | -        |           | -                   |                        | -         |                              |        |  |
| MATERIAL -                             |  | FINISH -         | -        |           | -                   |                        | -         |                              |        |  |

THIS DRAWING IS UNPUBLISHED.

RELEASED FOR PUBLICATION

2011

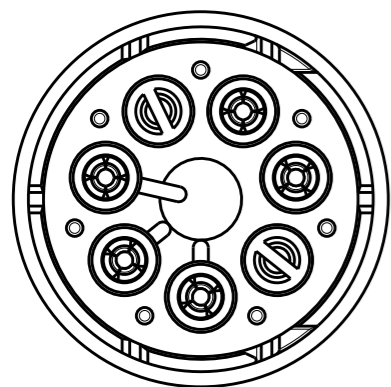
© COPYRIGHT 2011

ALL RIGHTS RESERVED.

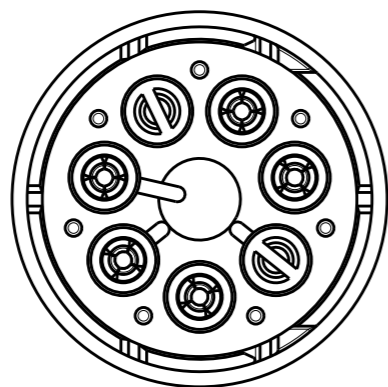
| LOC | DIST | REVISIONS   |      |     |      |
|-----|------|-------------|------|-----|------|
| P   | LTR  | DESCRIPTION | DATE | DWN | APVD |
|     |      | SEE SHEET 1 | -    | -   | -    |

POLARIZATION TYPES

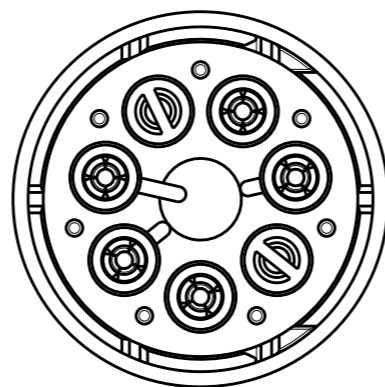
|                       |                       |                       |
|-----------------------|-----------------------|-----------------------|
| POLARIZATION TYPE "A" | POLARIZATION TYPE "B" | POLARIZATION TYPE "C" |
|-----------------------|-----------------------|-----------------------|



PN 0-293696-1

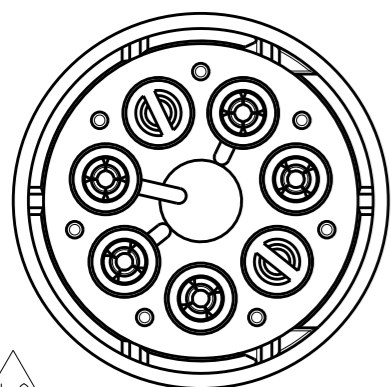


PN 0-293696-2

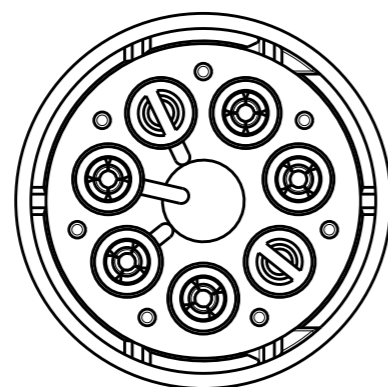


PN 0-293696-3

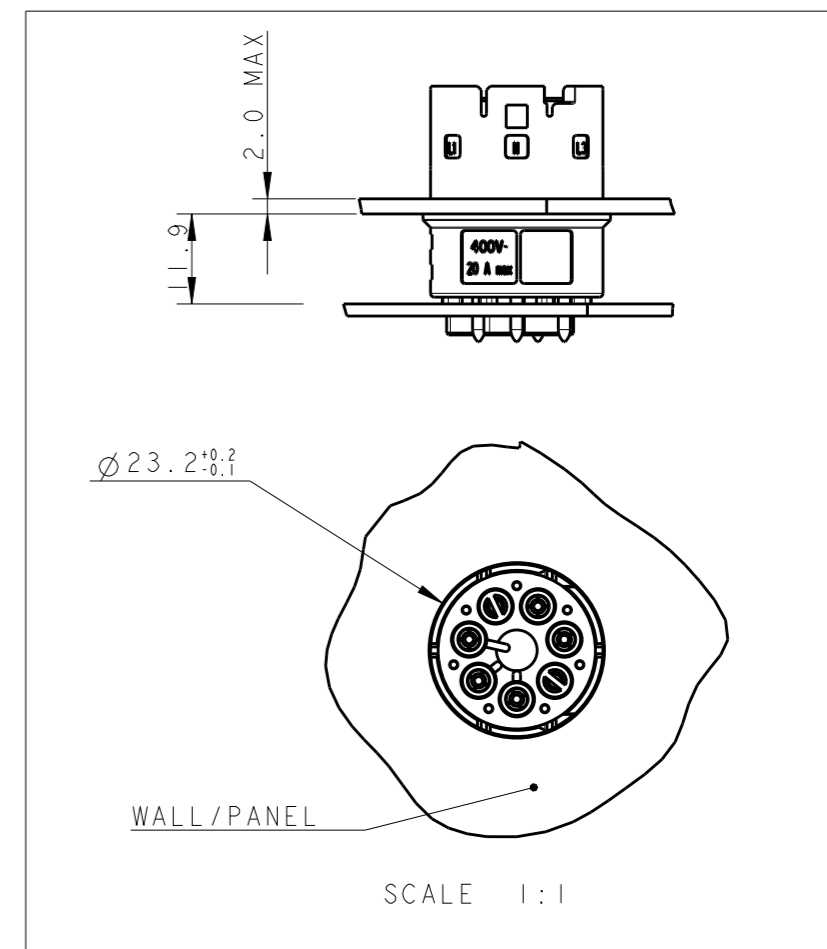
|                       |                       |
|-----------------------|-----------------------|
| POLARIZATION TYPE "D" | POLARIZATION TYPE "E" |
|-----------------------|-----------------------|



~~PN 0-293696-4~~

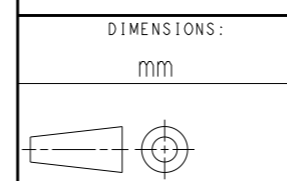


~~PN 0-293696-5~~



|          |  |             |         |  |      |             |
|----------|--|-------------|---------|--|------|-------------|
| OBSOLETE |  | E           | NATURAL | SOCKET PCB CONNECTOR, NECTOR* M-LINE 5 POLES | A    | 0-293696-5  |
|          |  | D           | NATURAL | SOCKET PCB CONNECTOR, NECTOR* M-LINE 5 POLES | A    | 0-293696-4  |
|          |  | C           | NATURAL | SOCKET PCB CONNECTOR, NECTOR* M-LINE 5 POLES | A    | 0-293696-3  |
|          |  | B           | NATURAL | SOCKET PCB CONNECTOR, NECTOR* M-LINE 5 POLES | A    | 0-293696-2  |
|          |  | A           | NATURAL | SOCKET PCB CONNECTOR, NECTOR* M-LINE 5 POLES | A    | 0-293696-1  |
| NOTE     |  | POL. KEYING | COLOUR  | DESCRIPTION                                  | REV. | PART NUMBER |

THIS DRAWING IS A CONTROLLED DOCUMENT.



MATERIAL - FINISH -

| DIMENSIONS: |    | TOLERANCES UNLESS OTHERWISE SPECIFIED: |  |
|-------------|----|--|--|
|             | mm |  |  |
| 0 PLC       |    | ±                                      |  |
| 1 PLC       |    | ±0.3                                   |  |
| 2 PLC       |    | ±0.20                                  |  |
| 3 PLC       |    | ±                                      |  |
| 4 PLC       |    | ±                                      |  |
| ANGLES      |    | ±3°                                    |  |

|                  |          |           |
|------------------|----------|-----------|
| DWN              | M. ZUCCA | 04APR2011 |
| CHK              | M. ZUCCA | 04APR2011 |
| APVD             | G. TURCO | 04APR2011 |
| PRODUCT SPEC     |          |           |
| APPLICATION SPEC |          |           |
| WEIGHT           |          |           |

**STE** TE Connectivity

NAME: SOCKET CONNECTOR PCB VERSION NECTOR\* M-LINE 5 POLES

|         |           |            |               |
|---------|-----------|------------|---------------|
| SIZE    | CAGE CODE | DRAWING NO | RESTRICTED TO |
| A300779 | C-293696  |            |               |

Customer Drawing SCALE 2:1 SHEET 2 OF 2 REV A1

## X-ON Electronics

Largest Supplier of Electrical and Electronic Components

*Click to view similar products for [Lighting Connectors](#) category:*

*Click to view products by [TE Connectivity](#) manufacturer:*

Other Similar products are found below :

[293300-7](#) [293660-5](#) [CNX\\_H03\\_NTP](#) [30-9767-BU](#) [3605](#) [3-21030-1](#) [ZCH-110-RGB-I](#) [503471-0290](#) [ZCH-110-RGB-J](#) [217-0716-200](#)  
[1954563-1](#) [1-293657-2](#) [2834036-1](#) [2834037-1](#) [1-2213222-4](#) [2-2213222-4](#) [2213222-4](#) [2834122-3](#) [2834122-5](#) [2834135-2](#) [FLA-R4142-30](#)  
[FLA-R4162-30](#) [FLA-R2142-30](#) [FLA-R2141-30](#) [FLA-R2162-30](#) [FLA-R2161-30](#) [FLA-R0161-30](#) [FLA-R0141-30](#) [FLA-R0142-30](#) [FLA-](#)  
[R0162-30](#) [FLA-C00-00](#) [DGA00010553](#) [CNXV04NTP](#) [104128-0610](#) [503485-0000 \(Cut Strip\)](#) [503485-0000 \(Loose Piece\)](#) [503485-0000](#)  
[\(MINI Reel\)](#) [1-2834074-2](#) [1-2834074-3](#) [1357-AC PLUG W2C \(CHINA\)](#) [1357-AC PLUG W2 \(USA\)](#) [104266-0110](#) [2106212-1](#) [2-2834074-2](#)  
[104266-0210](#) [293470-1](#) [293651-2](#) [293651-4](#) [1-2834006-2](#) [293651-1](#)