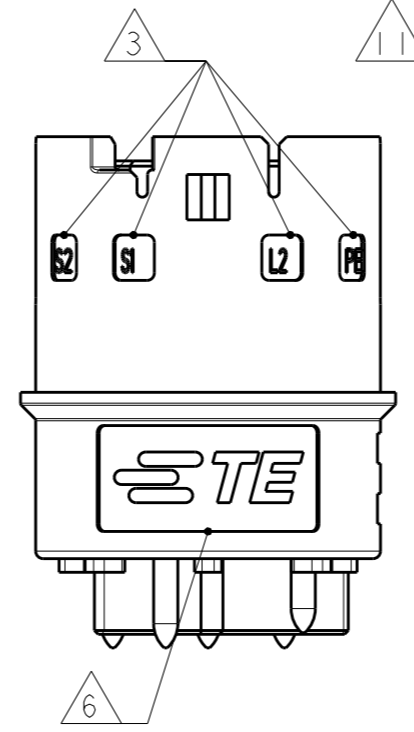
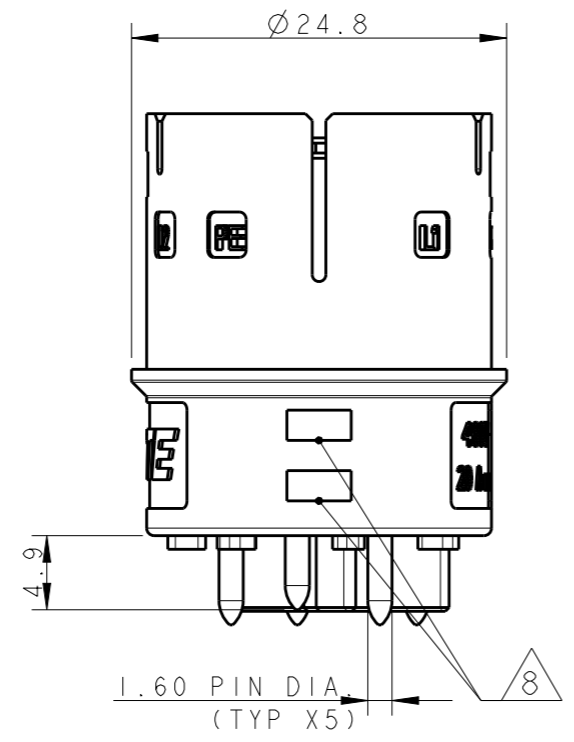
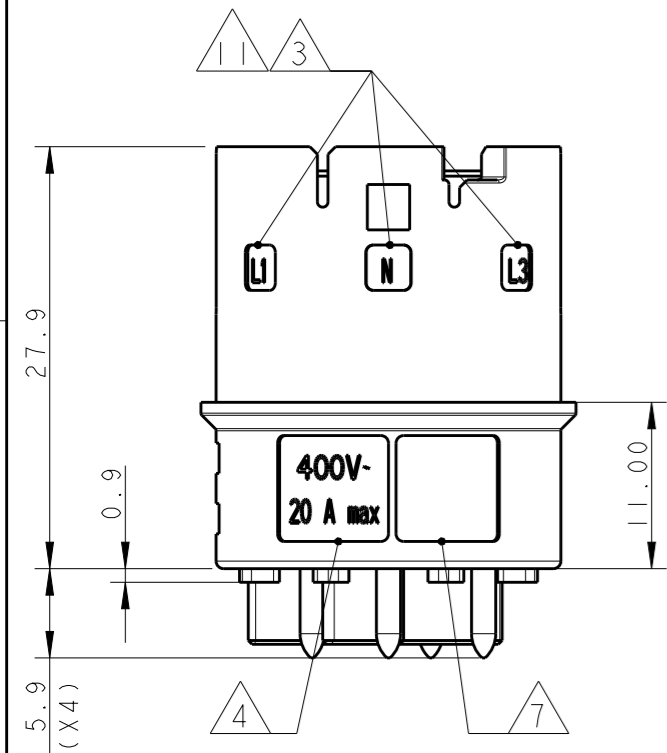
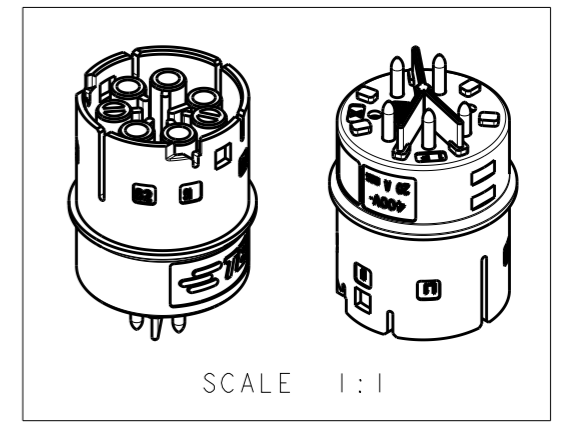
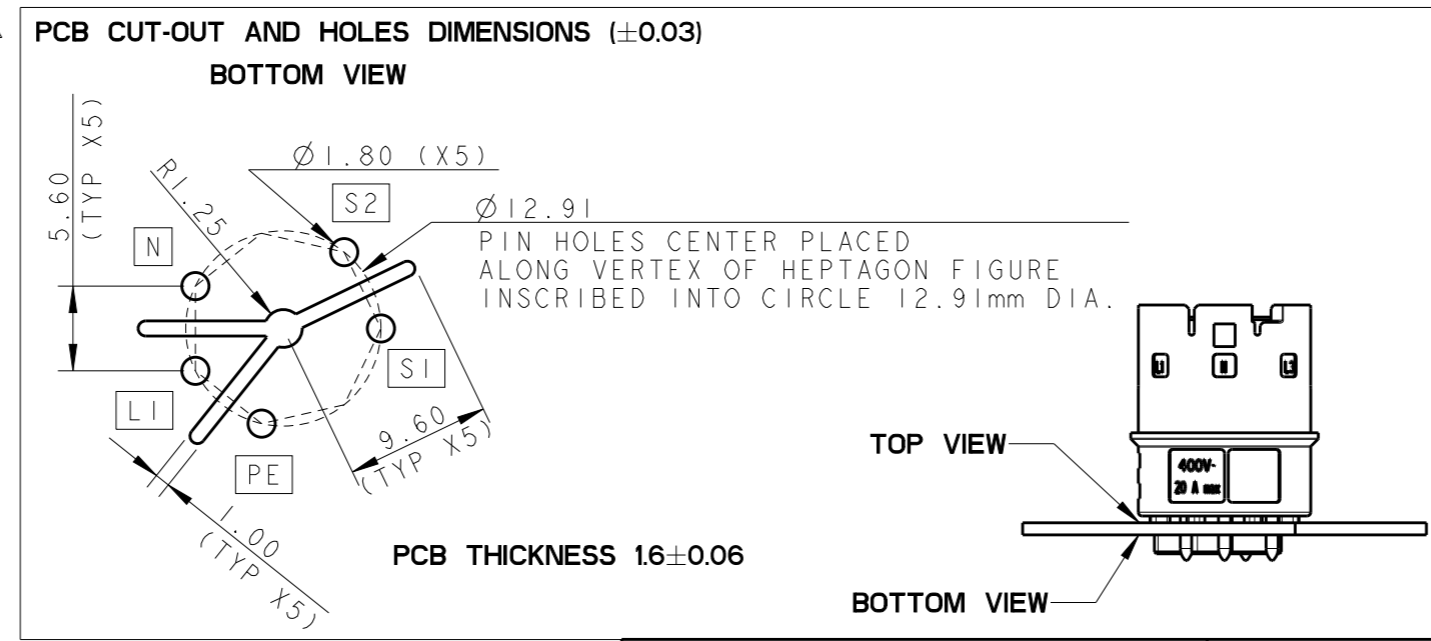
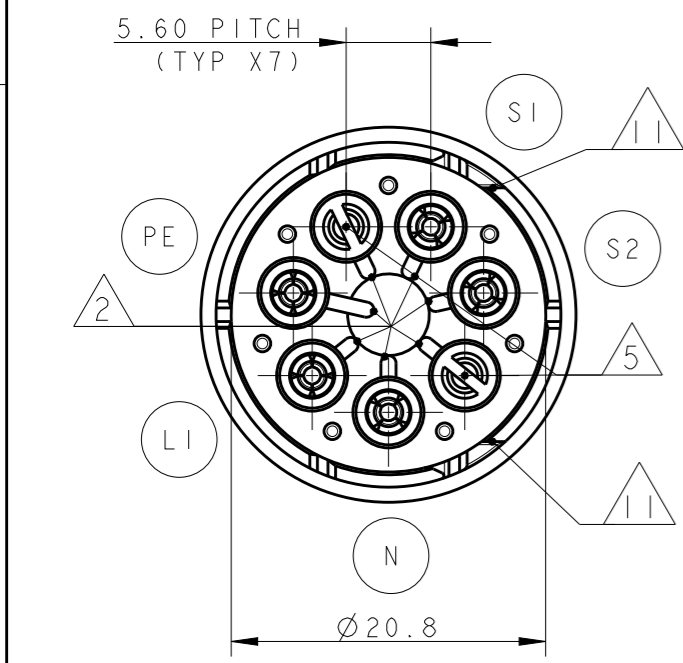


THIS DRAWING IS UNPUBLISHED. RELEASED FOR PUBLICATION 2011
 © COPYRIGHT 2011 ALL RIGHTS RESERVED.

| LOC | DIST | REVISIONS | | | | | |
|-----|------|-----------|-----|-------------------------------|-----------|-----|------|
| | | P | LTR | DESCRIPTION | DATE | DWN | APVD |
| 1 | - | A | | PARTS RELEASED FOR PRODUCTION | 13NOV2013 | MZ | JC |
| | | AI | | ECR-18-006945 | 31MAY2018 | SR | MZ |



- NOTES:
- 1 MATERIAL: PA GF (NATURAL COLOUR)
 - 2 ALL POLARIZATION KEYS SHOWN FOR REF ONLY
 - 3 WAYS I.D.
 - 4 VOLTAGE AND CURRENT RATINGS
 - 5 RIB CLOSING CAVITIES BY CHANGE OVER
 - 6 TE LOGO
 - 7 AREA FOR AGENCIES APPROVAL LOGO
 - 8 VISUAL INDICATOR FOR PE CONDUCTOR
 - 9) SEE C-DRAWING 293682 (LOCKING CAP) TO GET IP 40
 - 10 POLARISATION KEY "TYPE D" SUITABLE FOR DALI APPLICATION
 - 11 SLOTS TO ALLOW DELATCHING TOOL OPERATION. FOR DELATCHING TOOL AND OPERATION REFER TO APPLICATION SPECIFICATION



| | | | | |
|---|--|-------------------------|--|-----------------|
| THIS DRAWING IS A CONTROLLED DOCUMENT. | | DWN M. ZUCCA 04APR2011 | TE Connectivity | |
| DIMENSIONS: mm | | CHK M. ZUCCA 04APR2011 | | |
| TOLERANCES UNLESS OTHERWISE SPECIFIED: | | APVD G. TURCO 04APR2011 | NAME | |
| 0 PLC ±- 1 PLC ±0.3 2 PLC ±0.20 3 PLC ±- 4 PLC ±- ANGLES ±3° | | PRODUCT SPEC | SOCKET CONNECTOR PCB VERSION NECTOR* M-LINE 5 POLES | |
| MATERIAL - | | FINISH - | APPLICATION SPEC | RESTRICTED TO |
| | | WEIGHT - | SIZE A3 | CAGE CODE 00779 |
| | | Customer Drawing | DRAWING NO C-293696 | REV AI |
| | | | SCALE 2:1 | SHEET 1 OF 2 |

4

3

2

1

THIS DRAWING IS UNPUBLISHED.

RELEASED FOR PUBLICATION

2011

© COPYRIGHT 2011

ALL RIGHTS RESERVED.

| LOC | DIST | REVISIONS | | | |
|-----|------|-------------|------|-----|------|
| P | LTR | DESCRIPTION | DATE | DWN | APVD |
| | | SEE SHEET 1 | - | - | - |

POLARIZATION TYPES

POLARIZATION TYPE "A"

POLARIZATION TYPE "B"

POLARIZATION TYPE "C"

PN 0-293696-1

PN 0-293696-2

PN 0-293696-3

POLARIZATION TYPE "D"

POLARIZATION TYPE "E"

~~PN 0-293696-4~~~~PN 0-293696-5~~

| | | | | | | |
|----------|--|-------------|---------|--|------|-------------|
| OBSOLETE | | E | NATURAL | SOCKET PCB CONNECTOR, NECTOR* M-LINE 5 POLES | A | 0-293696-5 |
| | | D | NATURAL | SOCKET PCB CONNECTOR, NECTOR* M-LINE 5 POLES | A | 0-293696-4 |
| | | C | NATURAL | SOCKET PCB CONNECTOR, NECTOR* M-LINE 5 POLES | A | 0-293696-3 |
| | | B | NATURAL | SOCKET PCB CONNECTOR, NECTOR* M-LINE 5 POLES | A | 0-293696-2 |
| | | A | NATURAL | SOCKET PCB CONNECTOR, NECTOR* M-LINE 5 POLES | A | 0-293696-1 |
| NOTE | | POL. KEYING | COLOUR | DESCRIPTION | REV. | PART NUMBER |

THIS DRAWING IS A CONTROLLED DOCUMENT.

DWN M. ZUCCA 04APR2011

CHK M. ZUCCA 04APR2011

APVD G. TURCO 04APR2011

PRODUCT SPEC

APPLICATION SPEC

WEIGHT

Customer Drawing

DIMENSIONS:

mm

TOLERANCES UNLESS OTHERWISE SPECIFIED:

| | |
|--------|-------|
| 0 PLC | ±- |
| 1 PLC | ±0.3 |
| 2 PLC | ±0.20 |
| 3 PLC | ±- |
| 4 PLC | ±- |
| ANGLES | ±3° |

MATERIAL

FINISH

TE Connectivity

NAME
SOCKET CONNECTOR PCB VERSION
NECTOR* M-LINE 5 POLES

| SIZE | CAGE CODE | DRAWING NO | RESTRICTED TO |
|---------|-----------|------------|---------------|
| A300779 | C-293696 | | |

A300779 C-293696

| SCALE | SHEET | OF | REV |
|-------|-------|----|-----|
| 2:1 | 2 | 2 | A1 |

1470-19 (3/11)

X-ON Electronics

Largest Supplier of Electrical and Electronic Components

Click to view similar products for [Lighting Connectors](#) category:

Click to view products by [TE Connectivity](#) manufacturer:

Other Similar products are found below :

[293300-7](#) [293660-5](#) [CNX_H03_NTP](#) [30-9767-BU](#) [3605](#) [3-21030-1](#) [ZCH-110-RGB-I](#) [503471-0290](#) [ZCH-110-RGB-J](#) [217-0716-200](#)
[1954563-1](#) [1-293657-2](#) [2834036-1](#) [2834037-1](#) [1-2213222-4](#) [2-2213222-4](#) [2213222-4](#) [2834122-3](#) [2834122-5](#) [2834135-2](#) [FLA-R4142-30](#)
[FLA-R4162-30](#) [FLA-R2142-30](#) [FLA-R2141-30](#) [FLA-R2162-30](#) [FLA-R2161-30](#) [FLA-R0161-30](#) [FLA-R0141-30](#) [FLA-R0162-30](#) [FLA-C00-](#)
[00](#) [DGA00010553](#) [CNXV04NTP](#) [104128-0610](#) [503485-0000 \(Cut Strip\)](#) [503485-0000 \(Loose Piece\)](#) [503485-0000 \(MINI Reel\)](#) [1-2834074-2](#)
[1-2834074-3](#) [1357-AC PLUG W2C \(CHINA\)](#) [1357-AC PLUG W2 \(USA\)](#) [104266-0110](#) [2106212-1](#) [2-2834074-2](#) [104266-0210](#) [293470-1](#)
[293651-2](#) [293651-4](#) [1-2834006-2](#) [293651-1](#) [2213142-3](#)