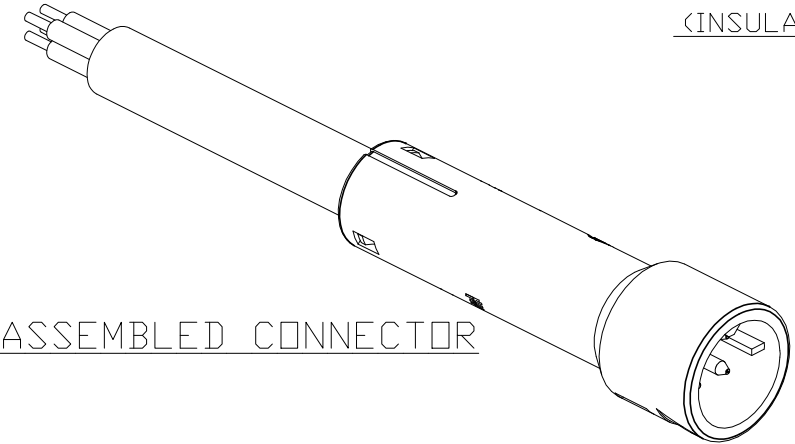


THIS DRAWING IS UNPUBLISHED. RELEASED FOR PUBLICATION
 © COPYRIGHT - TE Connectivity Ltd. ALL RIGHTS RESERVED.

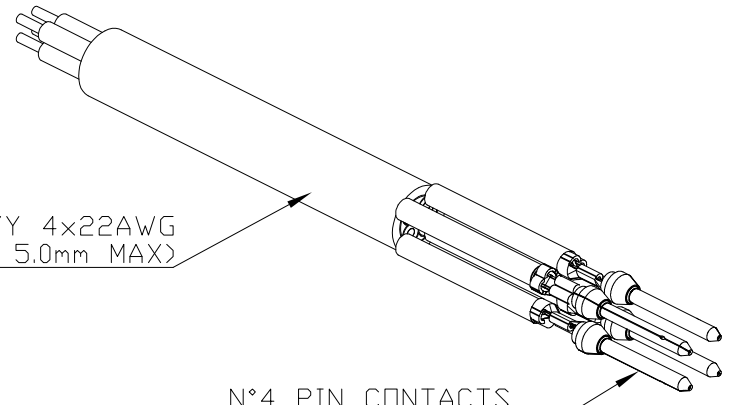
REVISIONS					
P	LTR	DESCRIPTION	DATE	DWN	APVD
	A	FIRST ISSUE: DRAWING FOR U.S.A. VERSIONS	14MAY2010	D.C.	G.T.
	A1	REVISED: CHANGED SALES CONDITIONS	30AUG2010	D.C.	G.T.
	B	RELEASED FOR PRODUCTION	30NOV2010	D.C.	G.T.
	B1	ECR-19-008407	29MAY2019	RS	MZ



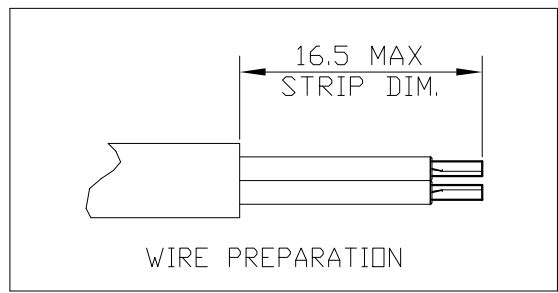
ASSEMBLED CONNECTOR

VOLTAGE: < 30V r.m.s. (42V PEAK)
 MAXIMUM CURRENT: 2A PER WAY (FULL LOADED)

CABLE LIYY 4x22AWG
 (INSULATION DIAMETER 5.0mm MAX)



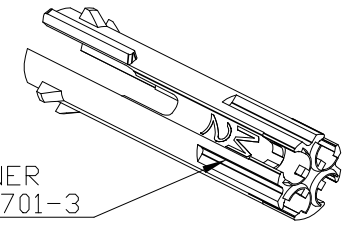
N°4 PIN CONTACTS
 P/N 166053-1



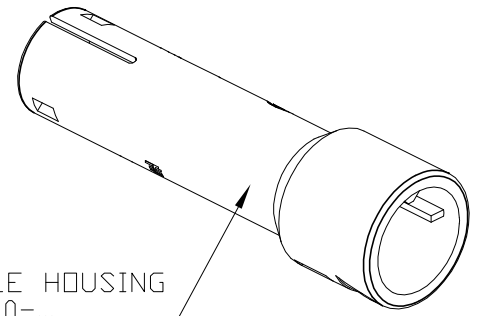
WIRE PREPARATION

MOUNTING OVERVIEW

CONTACTS MUST BE MOUNTED ON THE POSITIONER BEFORE TO INSERT THEM INTO THE HOUSING. MOUNTING SHALL BE ACCORDING TO THE TYCO ELECTRONICS APPLICATION SPEC. 114-20147.



POSITIONER
 P/N 293701-3

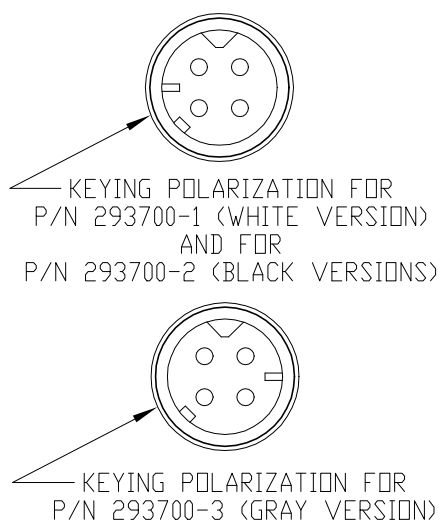
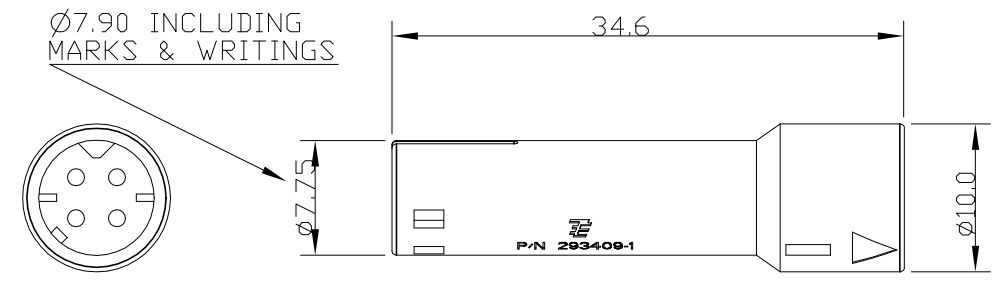


RECEPTACLE HOUSING
 P/N 293700-...

THE PRESENTED PRODUCT / DESIGN WILL BE RELEASED FOR THE MANUFACTURING OF THE NECESSARY PRODUCTION TOOLS HEREBY. FURTHER CHANGES HAS TO BE PAID BY CUSTOMER.

 DATE, SIGN OF THE CUSTOMER

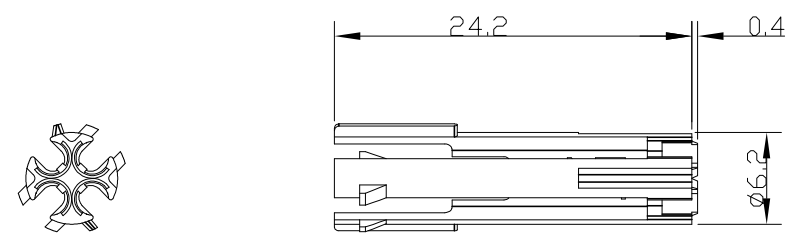
MALE HOUSING (N° 3 VERSIONS):
 - P/N 293700-1 (REV. B) IN WHITE COLOUR
 - P/N 293700-2 (REV. B) IN BLACK COLOUR
 - P/N 293700-3 (REV. B) IN GRAY COLOUR



PACKAGING: N° 1500 PCS INTO CARTON BOX, ACCORDING TO PACKAGING SPEC. 107-20289.

OBSOLETE	293700-3	293701-3	293703-3 (GRAY VERSION)	B
	293700-2	293701-3	293703-2 (BLACK VERSION)	B
	293700-1	293701-3	293703-1 (WHITE VERSION)	B
	MALE HOUSING P/N	POSITIONER P/N	PART NUMBER (KIT)	REV.

POSITIONER (N° 1 VERSION):
 - P/N 293701-3 (REV. B) IN GREY COLOUR



THIS DRAWING IS A CONTROLLED DOCUMENT.

DIMENSIONS: mm	TOLERANCES UNLESS OTHERWISE SPECIFIED: 0 PLC ± 0.5 1 PLC ± 0.3 2 PLC ± 0.2 3 PLC ± - 4 PLC ± - ANGLES ± -	DWN D. CHIARELLI 29MAY2019	TE Connectivity 4 POS. LOW VOLTAGE, FREE HANGING, MALE CONNECTOR FOR U.S.A. MARKET
MATERIAL PLASTIC PARTS: PBT 15%GF	FINISH -	CHK D. CHIARELLI 08APR2010	
		APVD G. TURCO 08APR2010	
		PRODUCT SPEC 108-20309 APPLICATION SPEC 114-20147 WEIGHT -	
CUSTOMER DRAWING		SIZE A3	CAGE CODE 00779
		DRAWING NO C=293703	RESTRICTED TO -
		SCALE 2:1	SHEET 1 OF 1
			REV B1

X-ON Electronics

Largest Supplier of Electrical and Electronic Components

Click to view similar products for [Lighting Connectors](#) category:

Click to view products by [TE Connectivity](#) manufacturer:

Other Similar products are found below :

[293300-7](#) [293660-5](#) [CNX_H03_NTP](#) [30-9767-BU](#) [3605](#) [3-21030-1](#) [ZCH-110-RGB-I](#) [503471-0290](#) [ZCH-110-RGB-J](#) [217-0716-200](#)
[1954563-1](#) [1-293657-2](#) [2834036-1](#) [2834037-1](#) [1-2213222-4](#) [2-2213222-4](#) [2213222-4](#) [2834122-3](#) [2834122-5](#) [2834135-2](#) [FLA-R4142-30](#)
[FLA-R4162-30](#) [FLA-R2142-30](#) [FLA-R2141-30](#) [FLA-R2162-30](#) [FLA-R2161-30](#) [FLA-R0161-30](#) [FLA-R0141-30](#) [FLA-R0142-30](#) [FLA-](#)
[R0162-30](#) [FLA-C00-00](#) [DGA00010553](#) [CNXV04NTP](#) [104128-0610](#) [503485-0000 \(Cut Strip\)](#) [503485-0000 \(Loose Piece\)](#) [503485-0000](#)
[\(MINI Reel\)](#) [1-2834074-2](#) [1-2834074-3](#) [1357-AC PLUG W2C \(CHINA\)](#) [1357-AC PLUG W2 \(USA\)](#) [104266-0110](#) [2106212-1](#) [2-2834074-2](#)
[104266-0210](#) [293470-1](#) [293651-2](#) [293651-4](#) [1-2834006-2](#) [293651-1](#)