

THIS DRAWING IS UNPUBLISHED.

RELEASED FOR PUBLICATION

2011

© COPYRIGHT 2011

ALL RIGHTS RESERVED.

LOC	DIST	REVISIONS			
P	LTR	DESCRIPTION	DATE	DWN	APVD
	3	PN CHANGED ON TABLE	22JUL2011	AB	GT
	A	RELEASED ACC. TO ECR-11-021683	25OCT2011	AB	GT
	A1	PART RELEASED FOR PRODUCTION	15NOV2013	KR	JC
	A2	REVISED	24DEC2013	KR	JC

NOTE:

- 1 MATERIAL: PA GF (NATURAL AND BLACK COLOUR)
- 2 DATE CLOCK AND MOULD IMPRESSION ID
- 3 AREA FOR TE LOGO
- 4 TE PART NUMBER

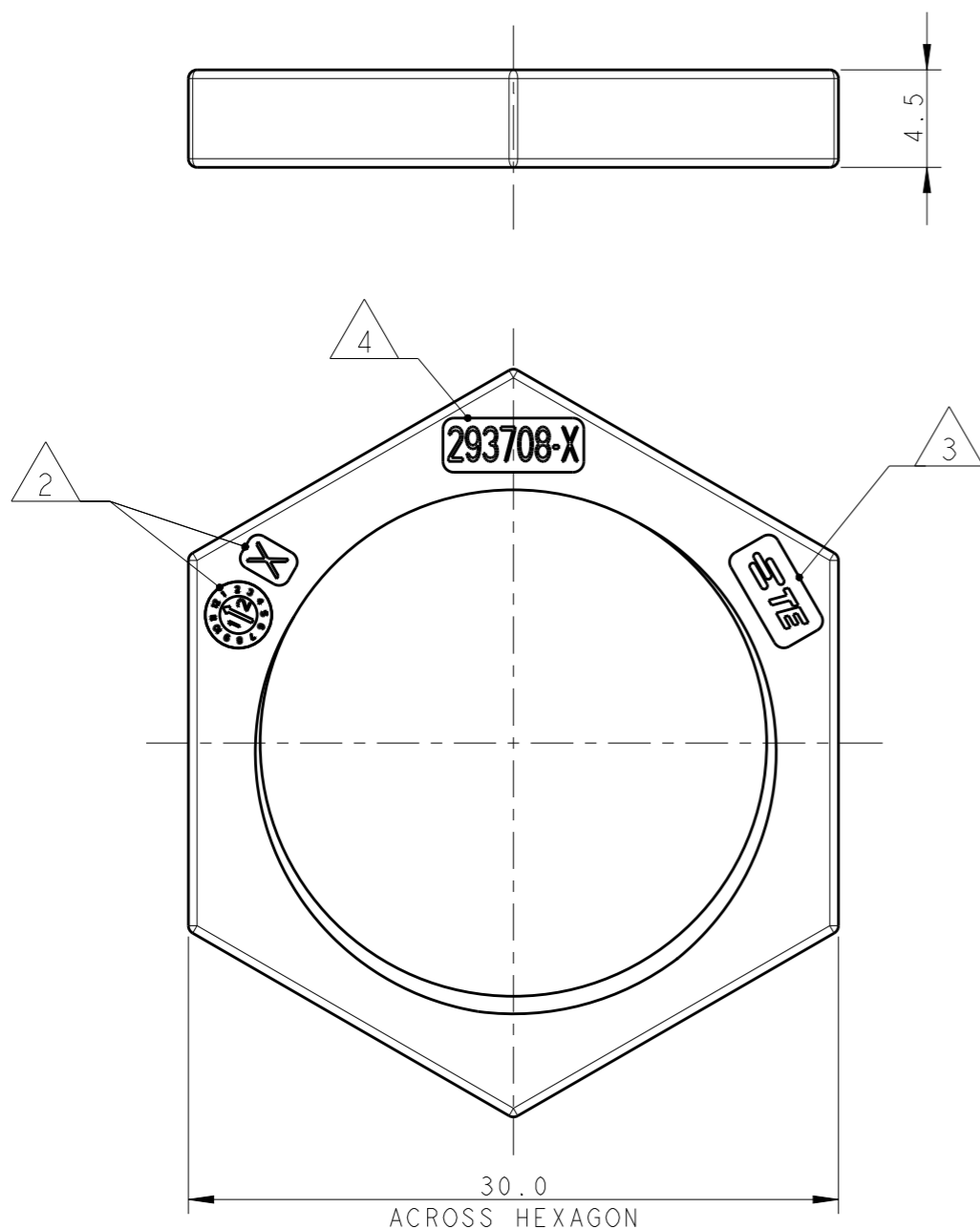
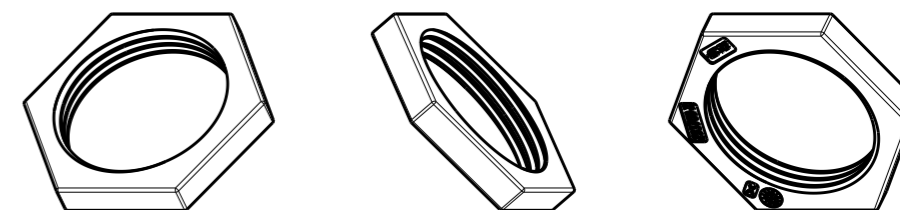


TABLE 1

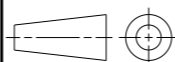
NOTE	COLOUR	DESCRIPTION	REV.	PART NUMBER
1	BLACK	SCREW NUT FOR PANEL MOUNT NECTOR* M-LINE 5, 6, 7 POLES	A	1-293708-1
1	NATURAL	SCREW NUT FOR PANEL MOUNT NECTOR* M-LINE 5, 6, 7 POLES	A	293708-1



SCALE 1:1

THIS DRAWING IS A CONTROLLED DOCUMENT.

DIMENSIONS: mm



TOLERANCES UNLESS OTHERWISE SPECIFIED:

- 0 PLC ±-
- 1 PLC ±0.3
- 2 PLC ±0.20
- 3 PLC ±-
- 4 PLC ±-
- ANGLES ±3°

MATERIAL -

FINISH -

DWN 21 JAN 2011  
A. BERNARDI  
CHK 21 JAN 2011  
M. ZUCCA  
APVD 21 JAN 2011  
G. TURCO

PRODUCT SPEC 108-20324

APPLICATION SPEC 114-20169

WEIGHT -

Customer Drawing

**STE** TE Connectivity

SCREW NUT 5,6,7 POLES FOR PANEL MOUNT VERSION M-LINE NECTOR

NAME  
SIZE CAGE CODE DRAWING NO RESTRICTED TO

A300779 C-293708

SCALE 3:1 SHEET 1 OF 1 REV A2

## X-ON Electronics

Largest Supplier of Electrical and Electronic Components

*Click to view similar products for [Lighting Connectors](#) category:*

*Click to view products by [TE Connectivity](#) manufacturer:*

Other Similar products are found below :

[293300-7](#) [293660-5](#) [CNX\\_H03\\_NTP](#) [30-9767-BU](#) [3605](#) [3-21030-1](#) [ZCH-110-RGB-I](#) [503471-0290](#) [ZCH-110-RGB-J](#) [217-0716-200](#)  
[1954563-1](#) [1-293657-2](#) [2834036-1](#) [2834037-1](#) [1-2213222-4](#) [2-2213222-4](#) [2213222-4](#) [2834122-3](#) [2834122-5](#) [2834135-2](#) [FLA-R4142-30](#)  
[FLA-R4162-30](#) [FLA-R2142-30](#) [FLA-R2141-30](#) [FLA-R2162-30](#) [FLA-R2161-30](#) [FLA-R0161-30](#) [FLA-R0141-30](#) [FLA-R0142-30](#) [FLA-](#)  
[R0162-30](#) [FLA-C00-00](#) [DGA00010553](#) [CNXV04NTP](#) [104128-0610](#) [503485-0000 \(Cut Strip\)](#) [503485-0000 \(Loose Piece\)](#) [503485-0000](#)  
[\(MINI Reel\)](#) [1-2834074-2](#) [1-2834074-3](#) [1357-AC PLUG W2C \(CHINA\)](#) [1357-AC PLUG W2 \(USA\)](#) [104266-0110](#) [2106212-1](#) [2-2834074-2](#)  
[104266-0210](#) [293470-1](#) [293651-2](#) [293651-4](#) [1-2834006-2](#) [293651-1](#)