

THIS DRAWING IS UNPUBLISHED.

RELEASED FOR PUBLICATION

2010

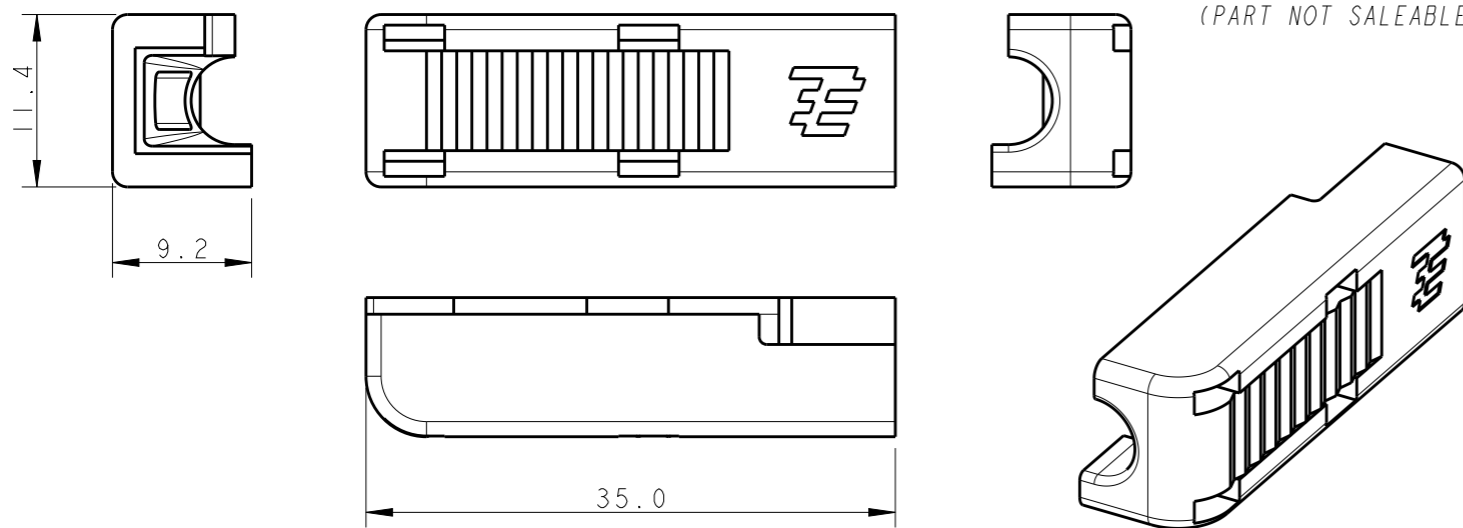
© COPYRIGHT 2010 BY -

ALL RIGHTS RESERVED.

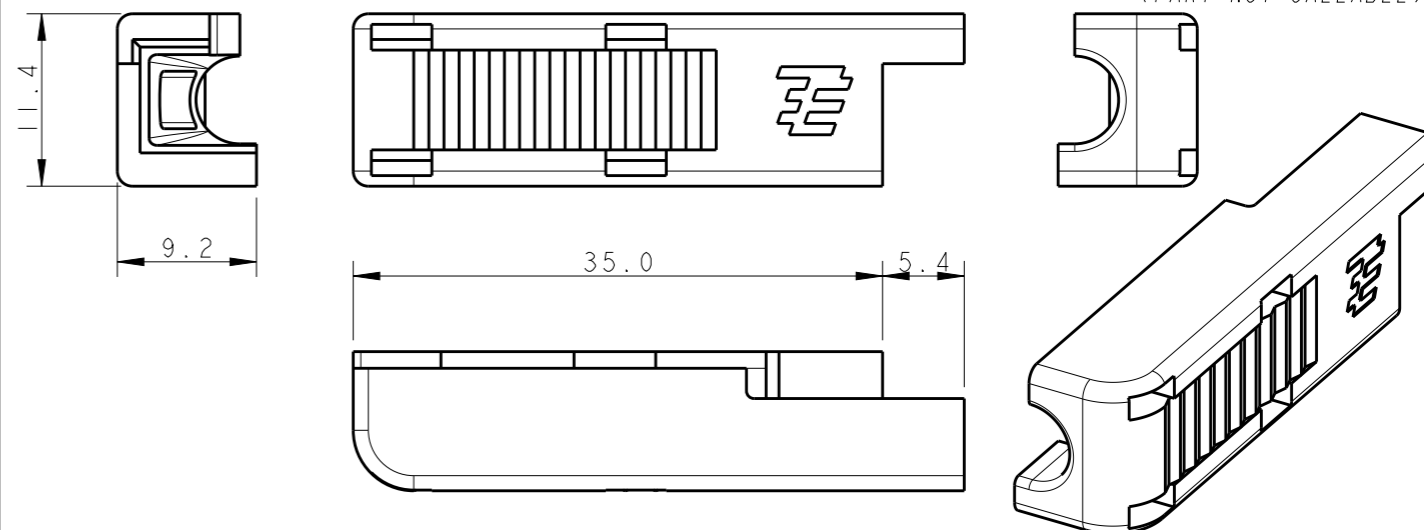
REVISIONS

P	LTR	DESCRIPTION	DATE	DWN	APVD
3		REVISED: ADDED PARTS WITH POLARIZATIONS	08NOV2010	DC	GT
A		RELEASE FOR PRODUCTION OF P/N 293736-1	26NOV2010	DC	GT
A1		REVISED PER ECR-14-006523	12MAY2014	RS	DD
A2		REVISED PER ECR-18-015042	21SEP2018	SR	DD

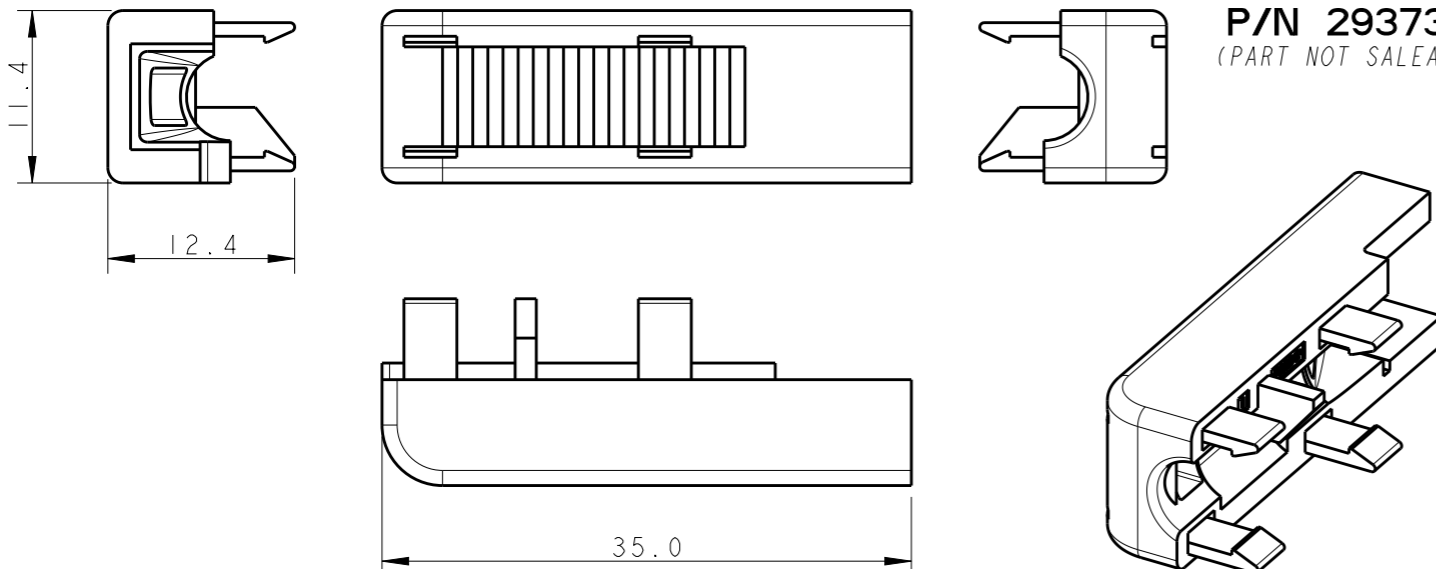
**COVERPART "A"**  
**P/N 293730-1**  
(PART NOT SALEABLE)



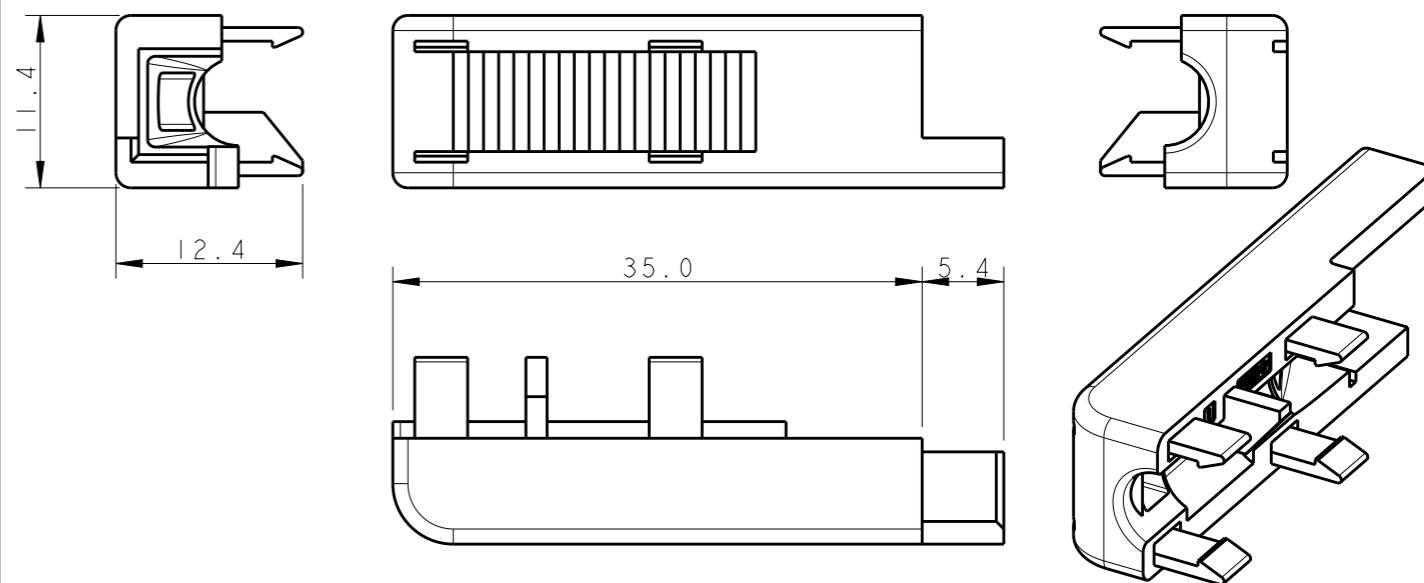
**COVERPART "A"**  
**P/N 293730-2**  
(PART NOT SALEABLE)



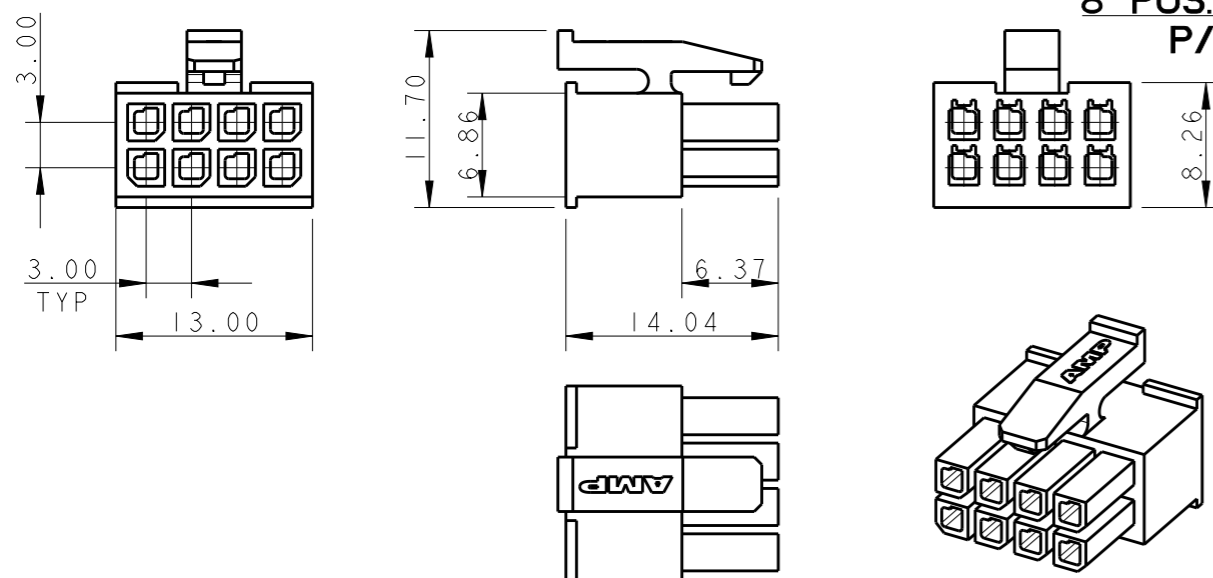
**COVERPART "B"**  
**P/N 293731-1**  
(PART NOT SALEABLE)



**COVERPART "B"**  
**P/N 293731-2**  
(PART NOT SALEABLE)



**8 POS. PLUG HOUSING**  
**P/N 794617-8**



THIS DRAWING IS A CONTROLLED DOCUMENT.

DIMENSIONS: mm	
TOLERANCES UNLESS OTHERWISE SPECIFIED:	
0 PLC	±0.5
1 PLC	±0.3
2 PLC	±0.2
3 PLC	±
4 PLC	±
ANGLES	±°
MATERIAL	FINISH
NYLON, UL94-V0	-
BLACK	-

DWN	23JUN2010
D. CHIARELLI	
CHK	23JUN2010
D. CHIARELLI	
APVD	23JUN2010
G. TURCO	
PRODUCT SPEC	108-20314
APPLICATION SPEC	114-20157
WEIGHT	-
Customer Drawing	

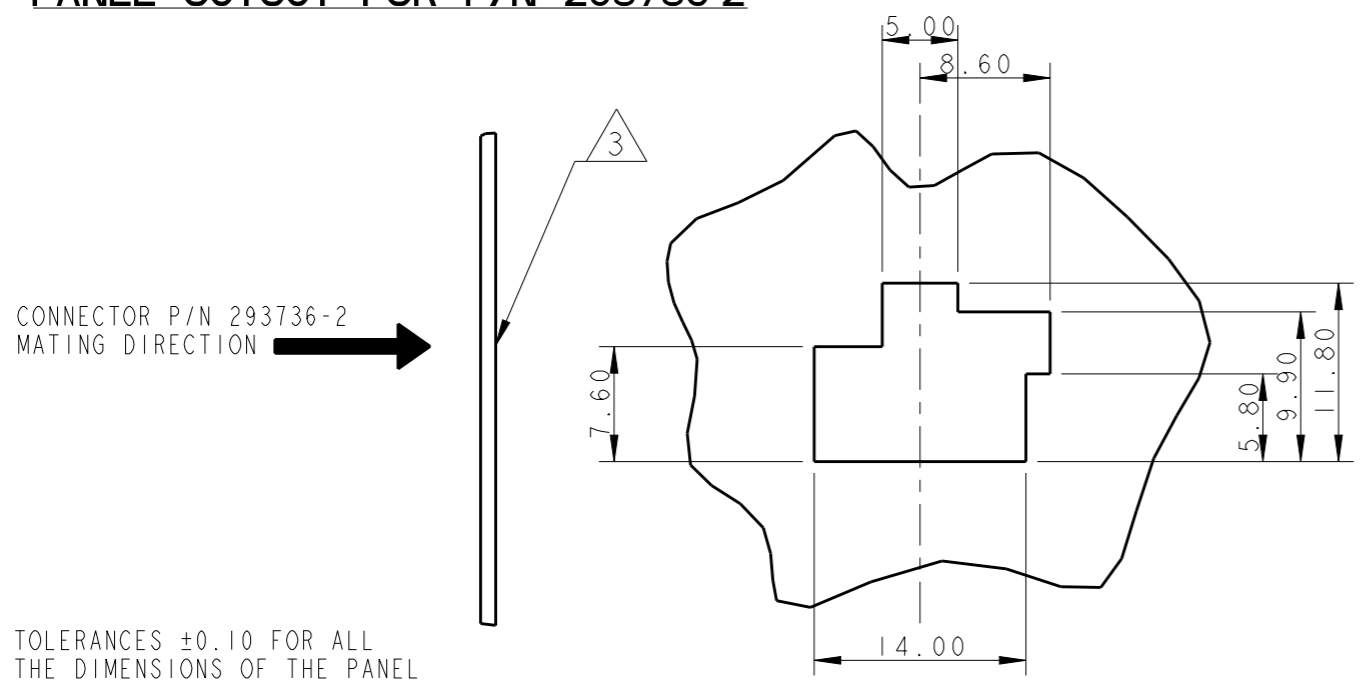


NAME				8 POS. COVERPART FOR 8 POS. MICRO MATE-N-LOK PLUG HOUSING P/N 794617-8	
SIZE	CAGE CODE	DRAWING NO	RESTRICTED TO		
A3	00779	C-293736	-		
SCALE		SHEET	OF	REV	
2:1		1	2	A2	

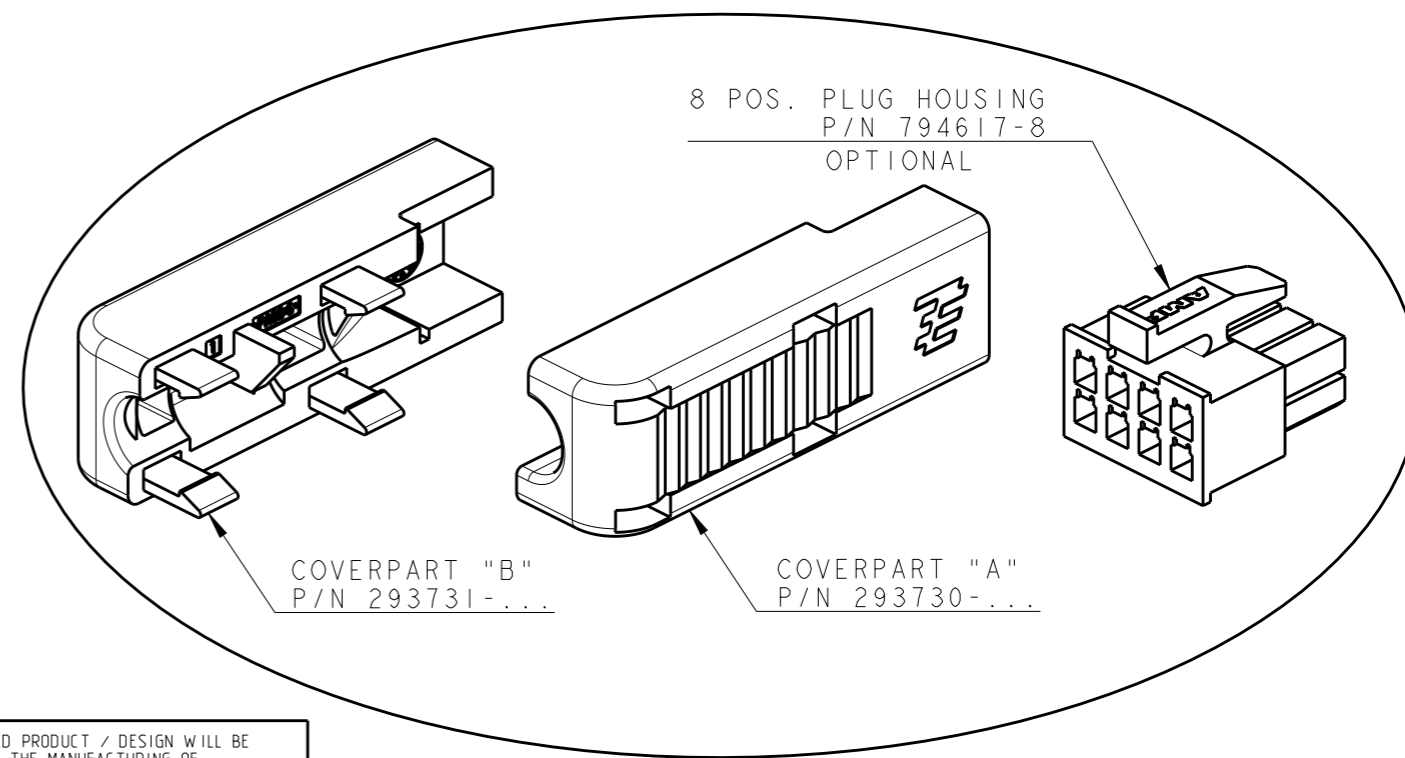
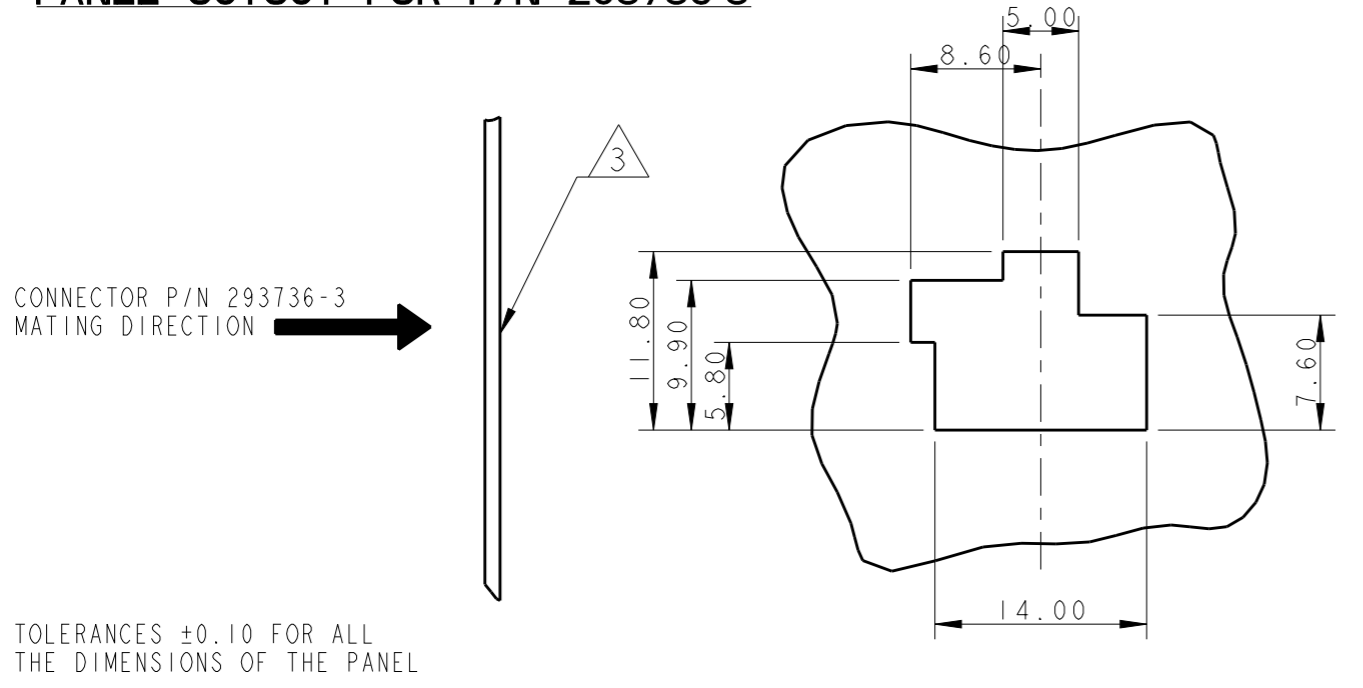
REVISIONS

P	LTR	DESCRIPTION	DATE	DWN	APVD
-	-	SEE SHEET 1	-	-	-

PANEL CUTOUT FOR P/N 293736-2



PANEL CUTOUT FOR P/N 293736-3



THE PRESENTED PRODUCT / DESIGN WILL BE RELEASED FOR THE MANUFACTURING OF THE NECESSARY PRODUCTION TOOLS HEREBY. FURTHER CHANGES HAS TO BE PAID BY CUSTOMER.

DATE: SIGN OF THE CUSTOMER

8 POS. COVERPART P/N 293736-...

- PACKAGING: CARTON BOX CONTAINING:
  - N°500 PIECES OF COVERPART "A" P/N 293730-....
  - N°500 PIECES OF COVERPART "B" P/N 293731-....
  - N°500 PLUG HOUSINGS P/N 794617-8
- ADMITTED CABLES MUST HAVE EXTERNAL DIAMETER OF 5,6±0,2mm AND MUST BE OF THE FOLLOWING TYPE:
  - LiYY 8x0.25mm<sup>2</sup> (MAX. N°8 CONTACTS P/N 794606-1 MUST BE CRIMPED ON THIS CABLE)
  - HELUKABEL DATAFLAMM 10x0,14mm<sup>2</sup> / 52307 350V HALOGEN FREE (MAX. N°8 CONTACTS P/N 794607-1 MUST BE CRIMPED ON THIS CABLE).

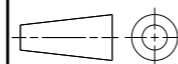
ON THIS SIDE OF THE PANEL THERE IS THE COUNTERPART CONNECTOR, TYCO ELECTRONICS P/N 794639-8

3 NOT RELEASED FOR PRODUCTION

-	293731-1	293730-1	293736-4
794617-8	293731-2	293730-1	293736-3 (POLARIZED VERSION 2)
794617-8	293731-1	293730-2	293736-2 (POLARIZED VERSION 1)
794617-8	293731-1	293730-1	293736-1 (STANDARD VERSION)
8 POS. PLUG HOUSING	COVERPART "B"	COVERPART "A"	PART NUMBER
COMPONENTS			

THIS DRAWING IS A CONTROLLED DOCUMENT.

DIMENSIONS: mm



MATERIAL

TOLERANCES UNLESS OTHERWISE SPECIFIED:

- 0 PLC ±0.5
- 1 PLC ±0.3
- 2 PLC ±0.2
- 3 PLC ±
- 4 PLC ±
- ANGLES ±°

FINISH

DWN 23JUN2010

D. CHIARELLI

CHK 23JUN2010

D. CHIARELLI

APVD 23JUN2010

G. TURCO

PRODUCT SPEC 108-20314

APPLICATION SPEC 114-20157

WEIGHT -

Customer Drawing



NAME 8 POS. COVERPART FOR 8 POS. MICRO MATE-N-LOK PLUG HOUSING P/N 794617-8

SIZE A3 CAGE CODE 00779 DRAWING NO C-293736 RESTRICTED TO -

SCALE 2:1 SHEET 2 OF 2 REV A2

## X-ON Electronics

Largest Supplier of Electrical and Electronic Components

*Click to view similar products for [Pin & Socket Connectors](#) category:*

*Click to view products by [TE Connectivity](#) manufacturer:*

Other Similar products are found below :

[6450822-1](#) [770392-1](#) [794042-1](#) [796885-1](#) [8-794535-1](#) [PLR3455ACS-222](#) [R929991004](#) [R929993003](#) [1403611-1](#) [1-480349-5](#) [152302-5](#)  
[153211-2](#) [1586092-1](#) [1586129-1](#) [1586681-4](#) [1586700-1](#) [1586368-1](#) [1586380-1](#) [1586616-1](#) [1586680-5](#) [16-06-0038](#) [164164-5](#) [1-6609930-1](#)  
[172296-1](#) [19-09-2035](#) [200503-1](#) [200788-2](#) [2029090-4](#) [2029095-4](#) [925061-7](#) [293734-4](#) [293737-2](#) [1-765362-4](#) [1871534-1](#) [200833-4](#)  
[2008625-2](#) [2029027-2](#) [2029096-4](#) [R929991000](#) [R929991002](#) [R929993000](#) [319-10-101-00-005000](#) [319-10-102-00-001000](#) [319-10-104-00-001000](#) [319-10-105-00-001000](#) [319-10-108-00-001000](#) [319-10-112-00-006000](#) [39-01-8019](#) [319-10-101-00-001000](#) [319-10-102-00-005000](#)