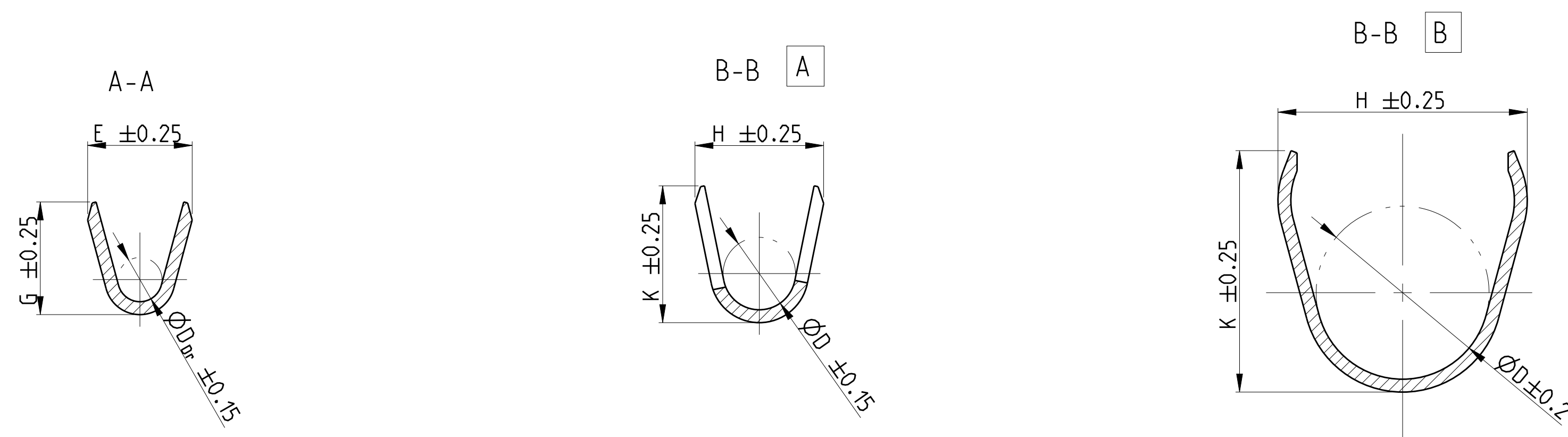


STRIP FORM Bandware

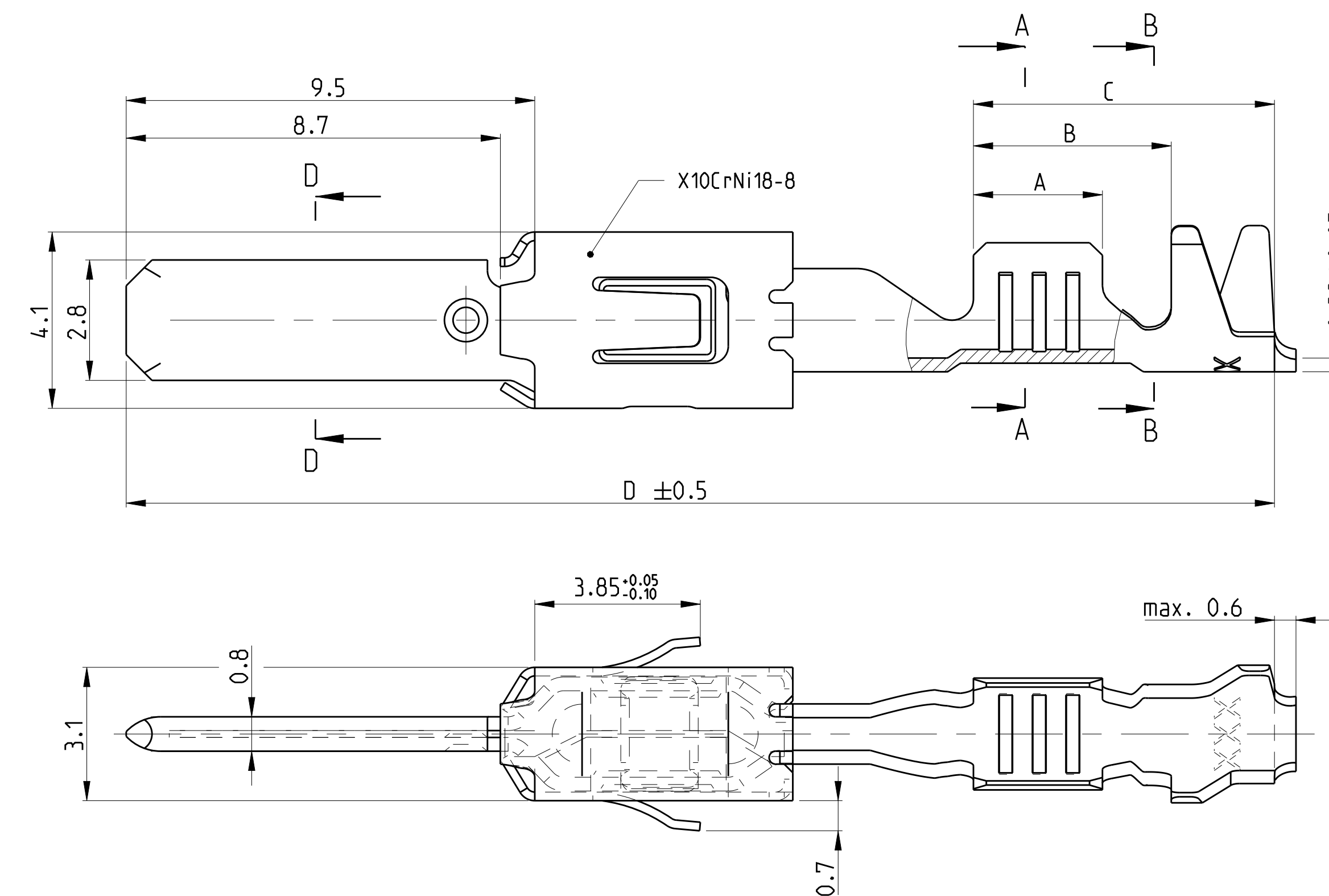


- 1 CONTACT AREA PRE SILVER MIN. 3µm
CANTILEVER SPRING PLAIN
Kontaktzone vorversilbert min. 3µm
Ueberfederer blank
- 2 CONTACT BODY NI-PLATING MIN. 0.5µm; CONTACT AREA PRE-GOLD MIN. 0.6µm
OVER NICKEL; CRIMP AREA PRE-TIN
CANTILEVER SPRING PLAIN
Kontaktkörper vernickelt min. 0.5µm; Kontaktzone vorvergoldet min. 0.6µm ueber Nickel
Crimpszone vorverzinkt; Ueberfederer blank
- 3 IN THIS AREA CRACK SHAPING AT THE SURFACE PERMISSIBLE
In diesem Bereich Rissbildung in der Oberflaeche zulassig
- 4 PRE-TIN MIN. 1µm; CANTILEVER SPRING PLAIN
vorverzinkt min. 1µm; Ueberfederer blank

- 5 AWG 12 TXL 828905-1 OR / oder 282536-1
AWG 12 GXL 638865-1
- 6 ATTENTION! CONSTRUCTION OF THE CONTACT CAVITY IN THE AREA OF THE SINGLE WIRE SEAL IS Ø6.4^{+0.1}_{-0.05}
Achtung! Die Kammer ist im Bereich der Einzeldichtung auf Ø6.4^{+0.1}_{-0.05} auszuliegen
- 7 PUNCHED WITH VOLATILIZING STAMPING-OIL
Gestanz mit verfluechtigendem Stanzoel

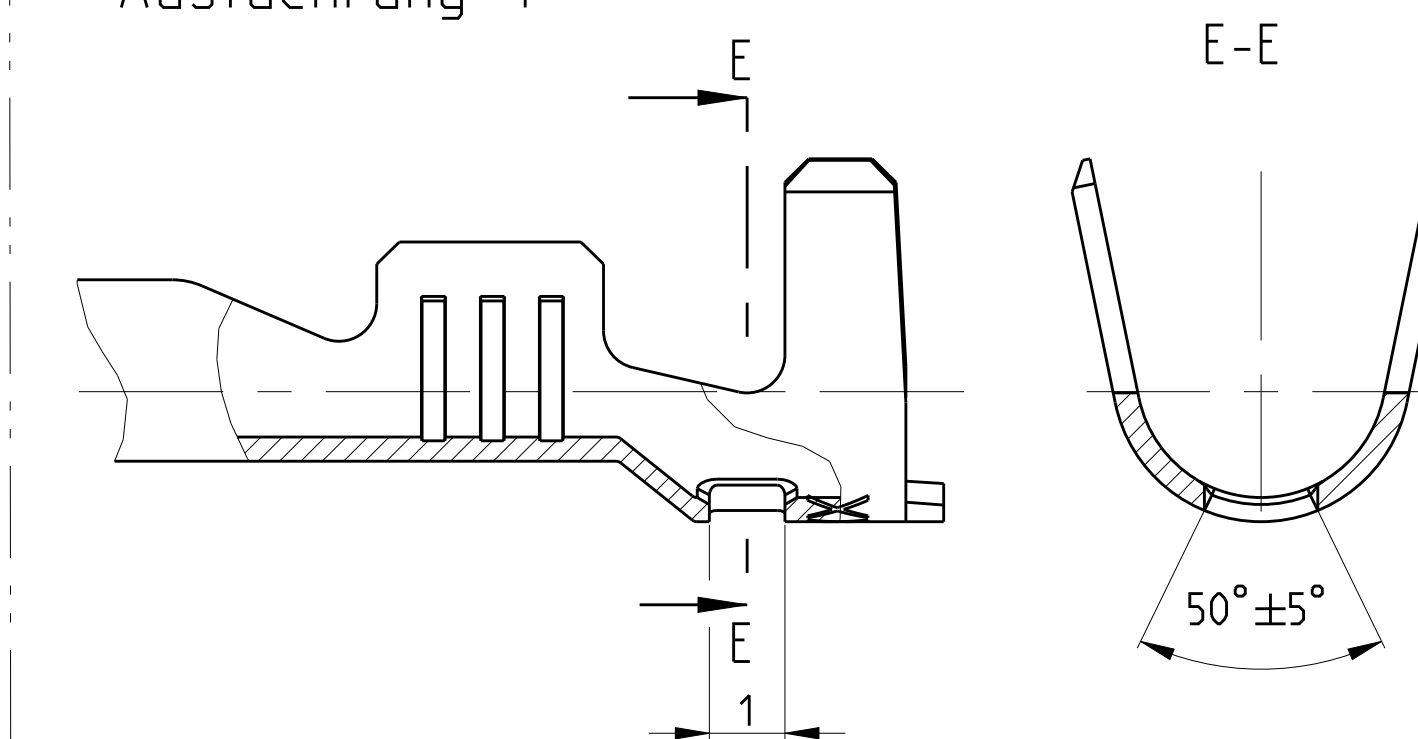
FLR-/FLK-WIRE FLR-/FLK-Leitung

DESIGN 1 Ausfuehrung 1

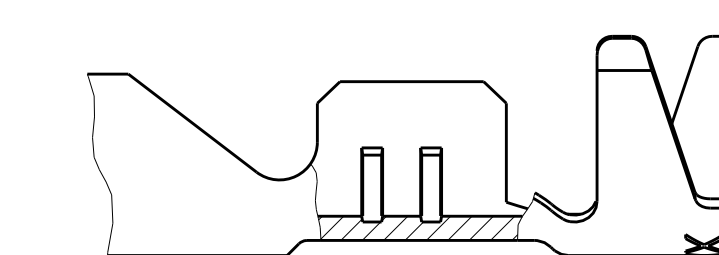


SINGLE WIRE SEAL Einzeldichtungssystem

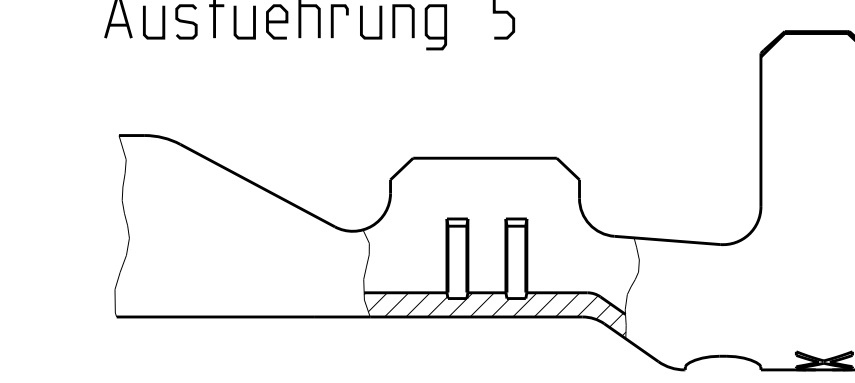
DESIGN 4 Ausfuehrung 4



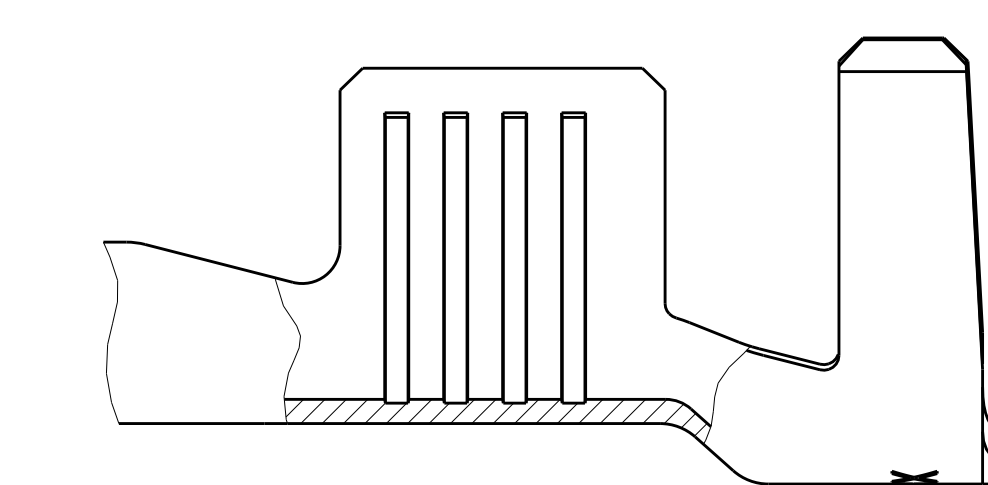
DESIGN 2 Ausfuehrung 2



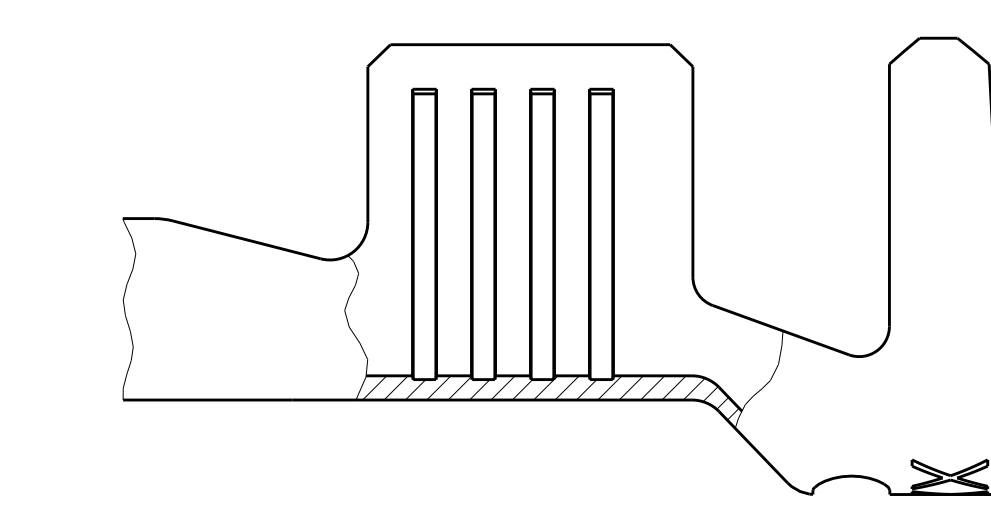
DESIGN 5 Ausfuehrung 5



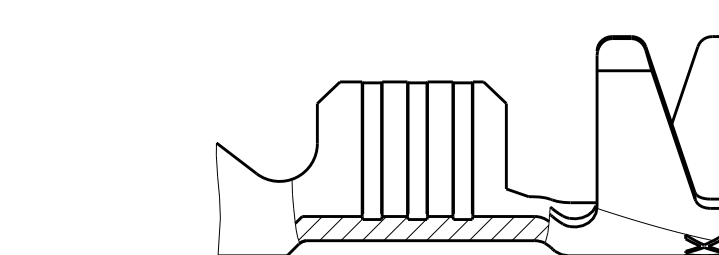
DESIGN 3 Ausfuehrung 3



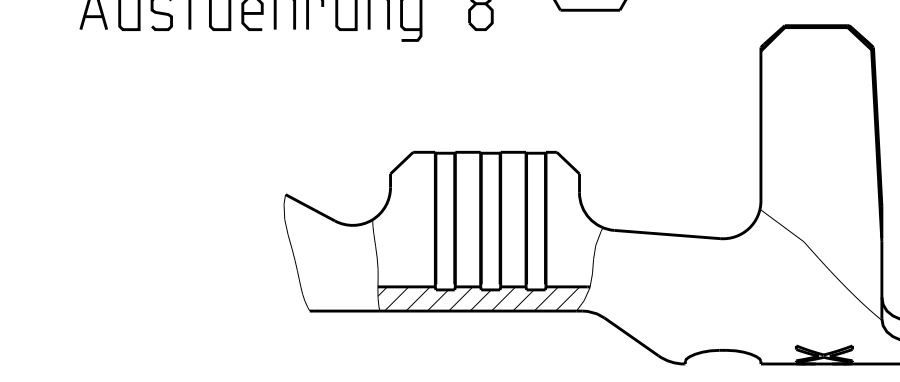
DESIGN 6 Ausfuehrung 6



DESIGN 7 Ausfuehrung 7



DESIGN 8 Ausfuehrung 8



TE ORDER-NO.	DESIGN REV	MATERIAL	SURFACE	DGB	INSULATION	STRIP FORM WIRE CRIMP	INSUL. CRIMP	APPLICATION TOOL	HAND TOOL	TE ORDER-NO.	TE ORDER-NO.			
STRIPFORM Bandware	Ausfuehrung	Werkstoff	Oberflaeche	mm ²	IsolationsØ	Drathcrimp Bandware	Isolationscrimp Bandware	Anschlagwerkzeug	Handzange	SINGLE WIRE SEAL Einzeldichtungssystem (CAVITY DIAMETER)	SEALING PLUG Blindstopfen			
1-1719504-2	A	4	CuSn4	12 AWG	max. 3.0	E = 4.0 G = 4.2 D _{Dr} = 2.0	H = 5.3 K = 5.0 D = 3.6	1852291-3		3.5	6.0	7.6	26.8	828922-1
1-1719504-1	A	4	CuSn0.20											
3-968947-1	A	6	CuSn4	FLR	max. 3.7	E = 4.5 G = 4.7 D _{Dr} = 2.3	H = 6.2 K = 6.0 D = 4.3	MQC APPLICATOR 2-541537-2		4.3	6.9	8.5	28.5	828985
2-968947-2	A	6	CuFe											
2-968947-1	A	6	CuSn4											
1-968947-2	A	6	CuSn4											
1-968947-1	A	6	CuSn4											
2-962916-3	E	4	CuFe	FLR	max. 3.0	E = 3.6 G = 3.8 D _{Dr} = 1.7	H = 5.3 K = 5.0 D = 3.6	MQC APPLICATOR 2-878560-2		3.5	6.0	7.6	26.8	828905
2-962916-2	E	4	CuFe											
2-962916-1	E	4	CuFe											
1-962916-3	E	4	CuSn4											
1-962916-2	E	4	CuSn4											
1-962916-1	E	4	CuSn4											
2-962915-3	E	4	CuFe	FLR	max. 2.1	E = 2.6 G = 2.9 D _{Dr} = 1.2	H = 5.0 K = 4.8 D = 3.3	MQC APPLICATOR 2-878559-2		3.0	5.4	7.0	26.8	828904
2-962915-2	E	4	CuFe											
2-962915-1	E	4	CuFe											
6-962915-6	E	4	CuSn4											
1-962915-3	E	4	CuSn4											
1-962915-2	E	4	CuSn4											
1-962915-1	E	4	CuSn4											
5-965982-1	A	8	CuSn4	FLR	max. 2.1	E = 2.1 G = 2.1 D _{Dr} = 0.8	H = 4.7 K = 4.5 D = 3.2	MQC APPLICATOR 2-878558-2		2.5	4.9	6.5	26.8	828904
1-965982-3	A	5	CuSn4											
1-965982-1	A	5	CuSn4											
3-968946-1	A	3	CuSn0.20	FLR	2.7 - 3.7	E = 4.5 G = 4.7 D _{Dr} = 2.3	H = 5.7 K = 5.9 D = 3.3	MQC APPLICATOR 2-541534-2		4.3	6.6	8.5	28.5	
2-968946-2	A	3	CuFe											
2-968946-1	A	3	CuSn4											
1-968946-2	A	3	CuSn4											
1-968946-1	A	3	CuSn4											
2-962843-3	C	1	CuFe	FLK	2.4 - 3.7	E = 3.6 G = 3.8 D _{Dr} = 1.7	H = 5.5 K = 5.7 D = 3.2	MQC APPLICATOR 2-878552-2		3.6	5.2	8.9	28.6	
2-962843-2	C	1	CuFe											
2-962843-1	C	1	CuSn4											
1-962843-3	C	1	CuSn4											
1-962843-2	C	1	CuSn4											
1-962843-1	C	1	CuSn4											
2-962842-3	E	1	CuFe	FLR	2.1 - 2.9	E = 3.6 G = 3.8 D _{Dr} = 1.7	H = 4.3 K = 4.5 D = 2.6	MQC APPLICATOR 2-878551-2		3.6	5.2	8.2	27.9	
2-962842-2	F	1	CuFe											
2-962842-1	E	1	CuSn4											
2-962841-3	F	1	CuFe	FLR	1.4 - 2.1	E = 2.6 G = 2.8 D _{Dr} = 1.1	H = 3.2 K = 3.4 D = 1.8	MQC APPLICATOR 2-878550-2		3.0	4.6	7.0	26.7	
2-962841-2	F	1	CuFe											
2-962841-1	F	1	CuSn4											
1-962841-3	F	1	CuSn4											
1-962841-2	F	1	CuSn4											
1-962841-1	F	1	CuSn4											
2-963860-3	B	2	CuFe	FLR	1.3 - 1.6	E = 2.1 G = 2.1 D _{Dr} = 0.8	H = 2.9 K = 2.9 D = 1.4	MQC APPLICATOR 2-878549-2		2.5	3.7	5.8	25.5	
2-963860-2	B	2	CuFe											
2-963860-1	B	2	CuSn4											
5-963860-2	A	7	CuSn4											
5-963860-1	A	7	CuSn4											
1-963860-3	B	2	CuSn4											
1-963860-2	B	2	CuSn4											
1-963860-1	B	2	CuSn4											

THIS DRAWING IS A CONTROLLED DOCUMENT. DATE: 14 JUN 1999. DRAWN BY: K. Gerlach. CHECKED BY: M. Bleicher. APPROVED BY: [Signature].

PRODUCT GROUP DRAWING FOR TAB 2.8x0.8. PRODUCT SPEC: 108-18063. APPLICATION SPEC: 114-18051. WEIGHT: [Value].

Customer Drawing. SCALE: 10:1. SHEET: 1 of 1. REVISIONS: A18.

X-ON Electronics

Largest Supplier of Electrical and Electronic Components

Click to view similar products for [Automotive Connectors](#) category:

Click to view products by [TE Connectivity](#) manufacturer:

Other Similar products are found below :

[003-018-000](#) [60403001](#) [60993906-B](#) [M902-2131](#) [M902-2161](#) [72.330.1035.1](#) [73.353.4028.0](#) [F119300-B](#) [F166900](#) [F258300-B](#) [F358300-B](#)
[F407400](#) [F444110](#) [F487000](#) [F509500B-B](#) [827153-1](#) [8N1515-32-24P](#) [9-1326729-8](#) [925474-1](#) [928905-1](#) [964562-4](#) [968782-1](#) [GT17SA-8DS-](#)
[HU](#) [98891-1012](#) [98947-1016](#) [12004147](#) [12004475-L](#) [12010290](#) [12010309-B](#) [12015454](#) [12020219-B](#) [12020308](#) [12041318-B](#) [12052225-L](#)
[12052466](#) [12059125](#) [12064869](#) [12004327-B](#) [12010503-B](#) [12015308](#) [12015384](#) [12015909](#) [1-21030-1](#) [12041254](#) [12041318](#) [12047946-B](#)
[12047957](#) [12047957-L](#) [12059473](#) [12066261](#)