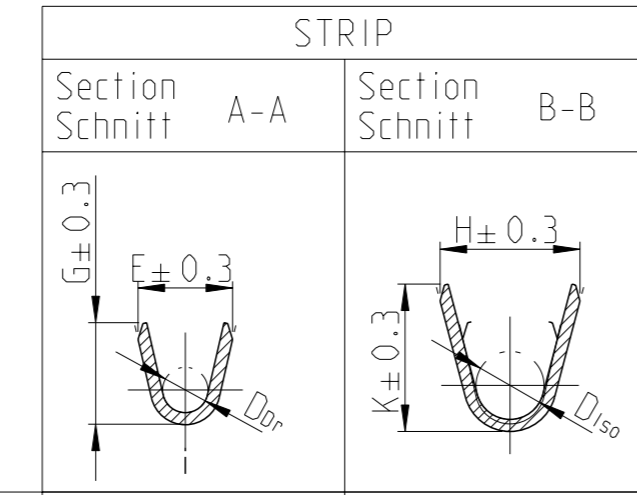
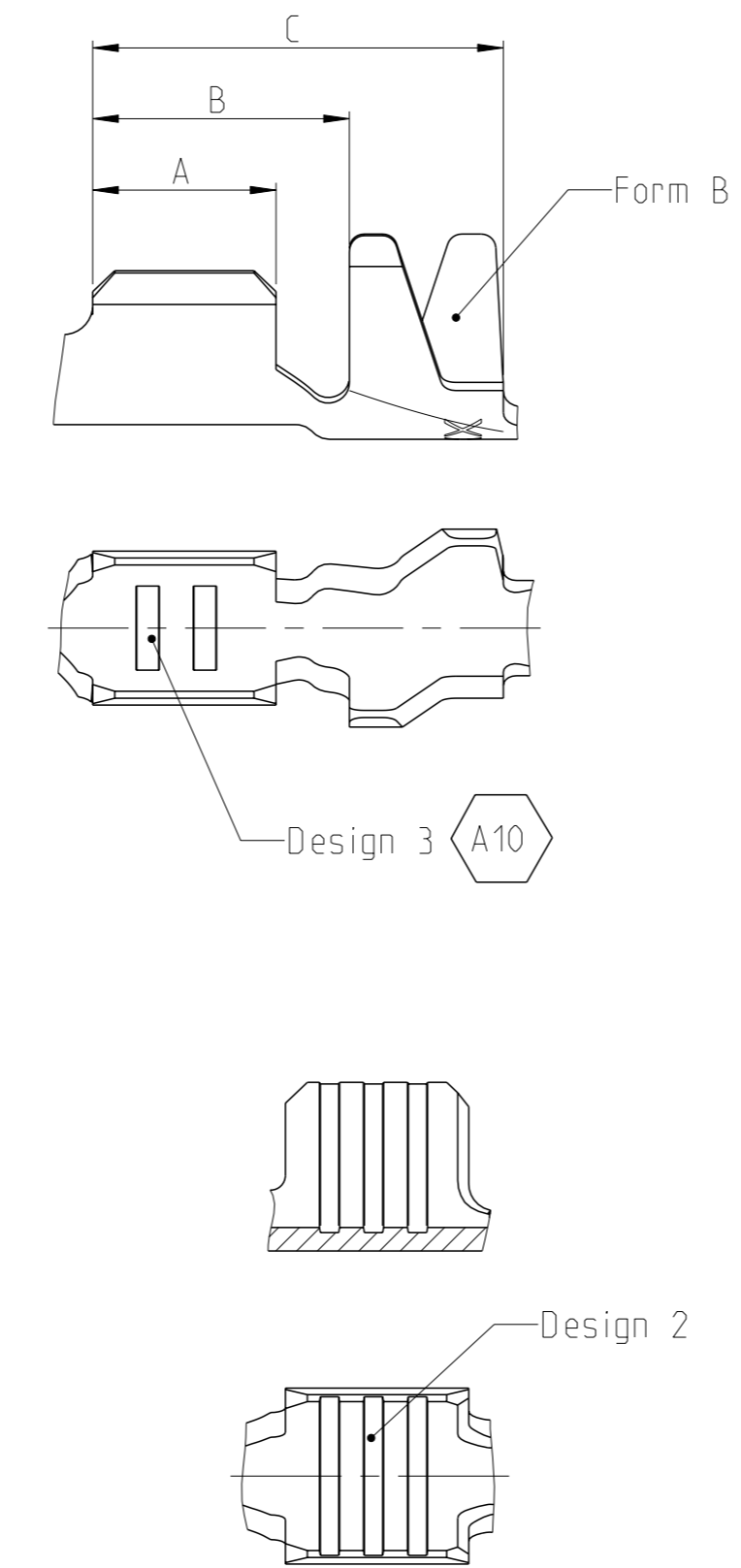
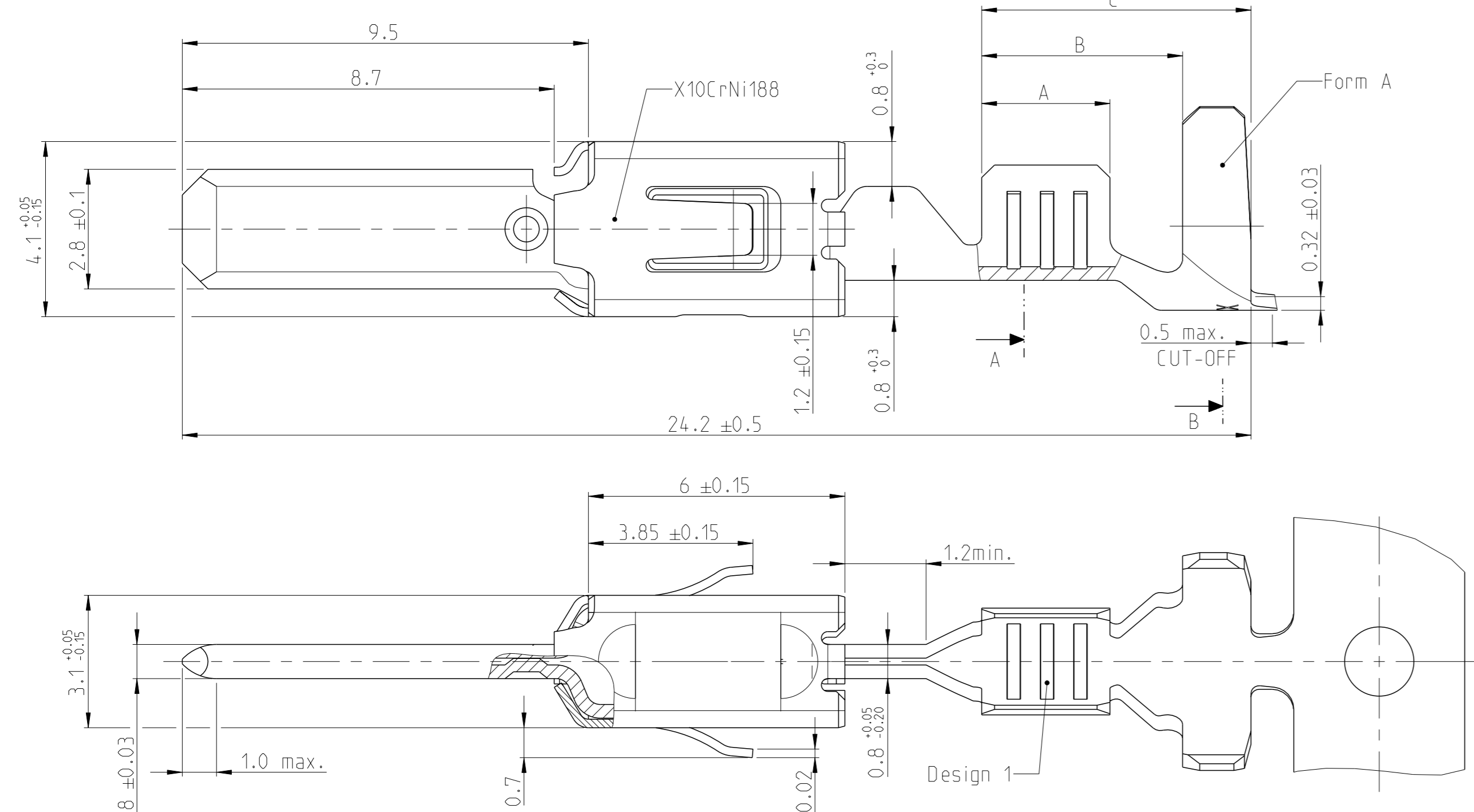
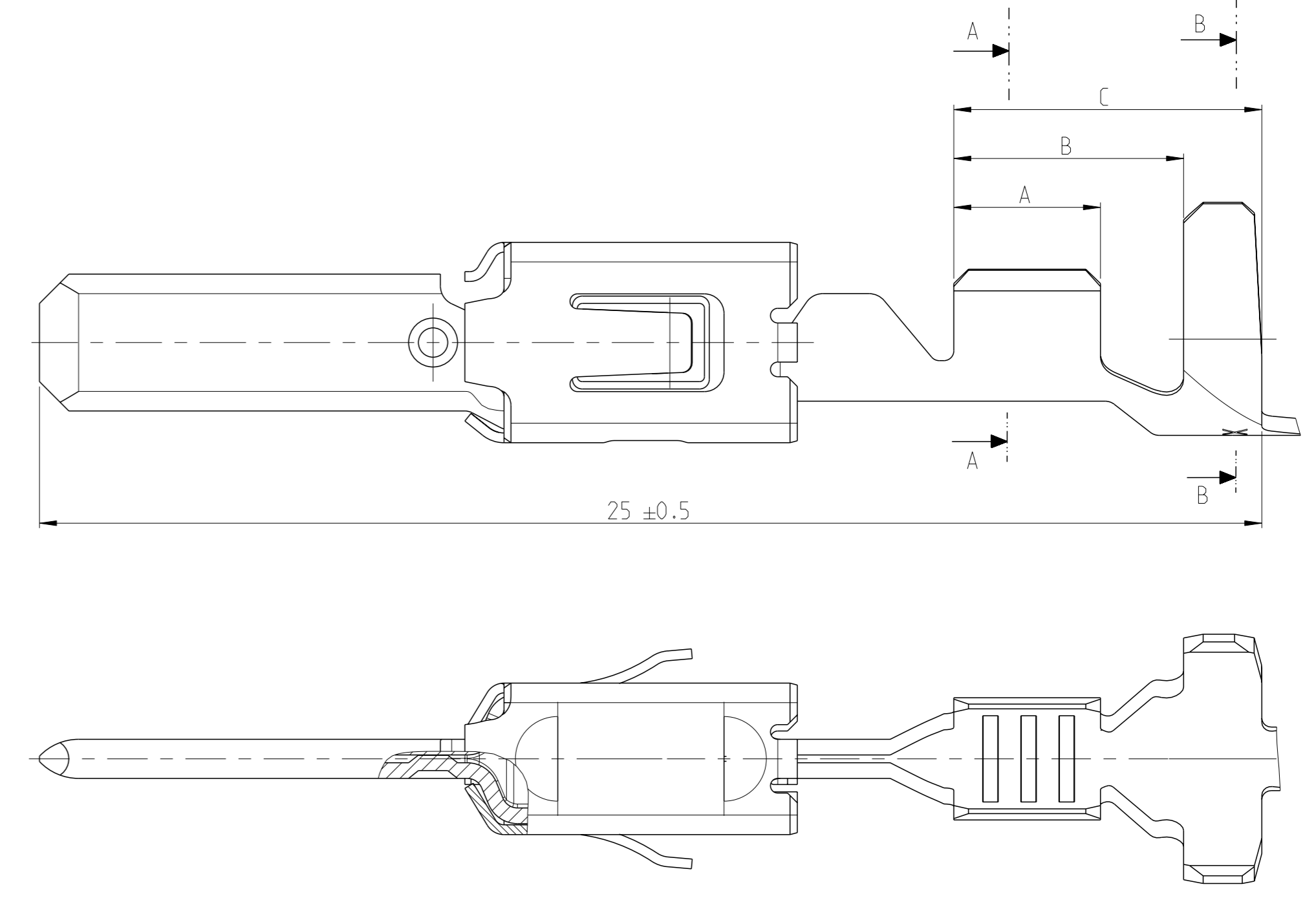


# CONTACTS FOR FLR-CABLE Kontakte fuer FLR-Leitung

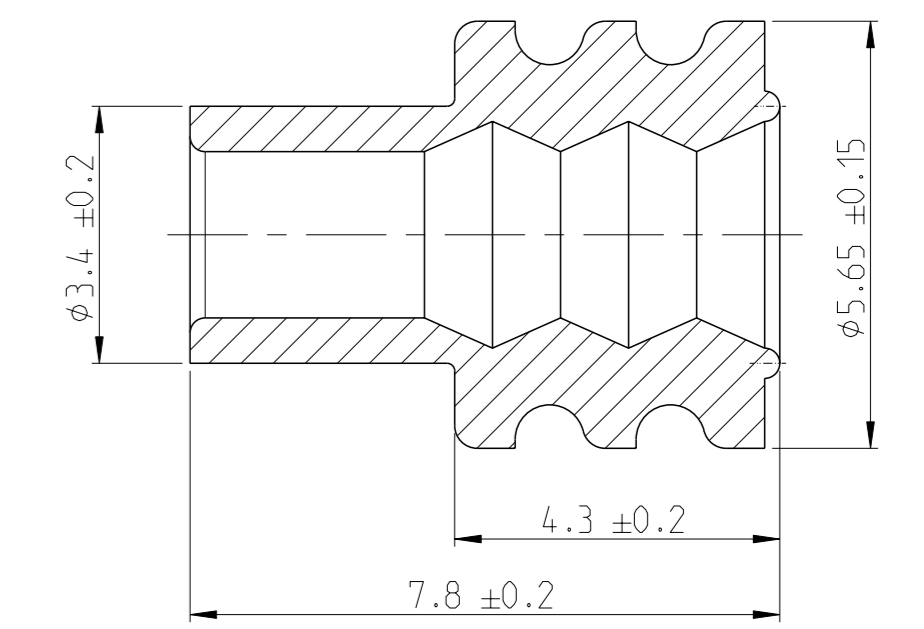


| Order No.<br>BESTELL - Nr.<br>Strip<br>BANDWARE | Rev. | Design<br>Serrations | Wire Range<br>Drahtgroessen<br>Bereich<br>(mm <sup>2</sup> ) | Insulation<br>φ<br>Isolations<br>φ (mm) | Material<br>Werkstoff                       | Surface<br>Oberflaeche                       | Lenght<br>Laenge              |   |  | Wire crimp<br>Drahtcrimp                    |   |   | Insul.crimp<br>Iso crimp |   |   |
|---|------|----------------------|--|---|---|--|-------------------------------|---|--|---|---|---|--------------------------|---|---|
|   |      |                      |  |   |   |  | A                             | B   | C  | A   | B | C | A                        | B | C |
| 2-964302-2                                      | A    | 1                    | >1.0-2.5   | 2.2-3.0                                 | CuFe 2                                      | vorverzinnt                                  | A = 3.5<br>B = 5.2<br>C = 6.8 | E = 3.6<br>G = 3.8<br>D <sub>OR</sub> = 1.8 | H = 5.3<br>K = 5.0<br>D <sub>ISO</sub> = 3.5 | Single wire sealing system<br>EDS           |   |   |                          |   |   |
| 2-964302-1                                      | C    |                      |  |   |   |  |                               |   |  |   |   |   |                          |   |   |
| 1-964302-3                                      | C    |                      |  |   |   |  |                               |   |  |   |   |   |                          |   |   |
| 4-964300-1                                      | A    | 1                    | 0.5-1.0  | 1.4-2.7                                 | CuNi18Zn20                                  | vorverzinnt                                  | A = 3.0<br>B = 4.7<br>C = 6.3 | E = 2.5<br>G = 2.7<br>D <sub>OR</sub> = 1.2 | H = 5.1<br>K = 4.8<br>D <sub>ISO</sub> = 3.3 |   |   |   |                          |   |   |
| 2-964300-2                                      | A    |                      |  |   |   |  |                               |   |  |   |   |   |                          |   |   |
| 2-964300-1                                      | C    |                      |  |   |   |  |                               |   |  |   |   |   |                          |   |   |
| 1-964300-3                                      | C    | CuSn 4               | vorverzinnt  | A = 2.5<br>B = 4.7<br>C = 6.3           | E = 2.4<br>G = 2.3<br>D <sub>OR</sub> = 1.0 | H = 4.7<br>K = 4.5<br>D <sub>ISO</sub> = 3.2 |                               |   |  |   |   |   |                          |   |   |
| 2-2141876-2                                     | A    | 2                    | 0.35   | 3.4                                     | CuFe 2                                      | vorverzinnt                                  | A = 2.5<br>B = 4.7<br>C = 6.3 | E = 2.1<br>G = 2.1<br>D <sub>OR</sub> = 0.8 | H = 4.7<br>K = 4.5<br>D <sub>ISO</sub> = 3.2 |   |   |   |                          |   |   |
| 2-2141876-1                                     | A    |                      |  |   |   |  |                               |   |  |   |   |   |                          |   |   |
| 1-2141876-3                                     | A    |                      |  |   |   |  |                               |   |  |   |   |   |                          |   |   |
| 2-964298-1                                      | C    | 3 A10                | 0.2-0.5  | 1.2-2.3                                 | CuFe 2                                      | vorverzinnt                                  | A = 2.5<br>B = 4.7<br>C = 6.3 | E = 2.1<br>G = 2.1<br>D <sub>OR</sub> = 0.8 | H = 4.7<br>K = 4.5<br>D <sub>ISO</sub> = 3.2 |   |   |   |                          |   |   |
| 1-964298-3                                      | C    |                      |  |   | CuSn 4                                      | vorverzinnt                                  | A = 3.3<br>B = 4.3<br>C = 5.8 | E = 3.6<br>G = 3.8<br>D <sub>OR</sub> = 1.8 | H = 4.7<br>K = 4.9<br>D <sub>ISO</sub> = 2.6 |   |   |   |                          |   |   |
| 2-964296-2                                      | B    | 1                    | >1.0-2.5   | 2.2-3.0                                 | CuFe 2                                      | vorverzinnt                                  | A = 3.0<br>B = 4.0<br>C = 5.5 | E = 2.5<br>G = 2.7<br>D <sub>OR</sub> = 1.2 | H = 3.7<br>K = 3.9<br>D <sub>ISO</sub> = 1.8 |   |   |   |                          |   |   |
| 2-964296-1                                      | C    |                      |  |   |   |  |                               |   |  |   |   |   |                          |   |   |
| 1-964296-3                                      | C    |                      |  |   |   |  |                               |   |  |   |   |   |                          |   |   |
| 2-964294-2                                      | A    | 1                    | 0.5-1.0  | 1.4-2.1                                 | CuFe 2                                      | vorverzinnt                                  | A = 2.5<br>B = 3.5<br>C = 5.6 | E = 2.4<br>G = 2.3<br>D <sub>OR</sub> = 1.0 | H = 2.7<br>K = 2.8<br>D <sub>ISO</sub> = 1.4 |   |   |   |                          |   |   |
| 2-964294-1                                      | B    |                      |  |   |   |  |                               |   |  |   |   |   |                          |   |   |
| 1-964294-3                                      | B    |                      |  |   |   |  |                               |   |  |   |   |   |                          |   |   |
| 2-2141874-1                                     | A    | 2                    | 0.35   | 1.15-1.6                                | CuFe 2                                      | vorverzinnt                                  | A = 2.5<br>B = 3.5<br>C = 5.6 | E = 2.4<br>G = 2.3<br>D <sub>OR</sub> = 1.0 | H = 2.7<br>K = 2.8<br>D <sub>ISO</sub> = 1.4 |   |   |   |                          |   |   |
| 1-2141874-3                                     | A    |                      |  |   | CuSn 4                                      | vorverzinnt                                  | A = 2.5<br>B = 3.5<br>C = 5.6 | E = 2.1<br>G = 2.1<br>D <sub>OR</sub> = 0.8 | H = 2.7<br>K = 2.8<br>D <sub>ISO</sub> = 1.4 |   |   |   |                          |   |   |
| 2-964292-1                                      | B    | 3 A10                | 0.2-0.5  | 1.15-1.6                                | CuFe 2                                      | vorverzinnt                                  | A = 2.5<br>B = 3.5<br>C = 5.6 | E = 2.1<br>G = 2.1<br>D <sub>OR</sub> = 0.8 | H = 2.7<br>K = 2.8<br>D <sub>ISO</sub> = 1.4 |   |   |   |                          |   |   |
| 1-964292-3                                      | B    |                      |  |   | CuSn 4                                      | vorverzinnt                                  | A = 2.5<br>B = 3.5<br>C = 5.6 | E = 2.1<br>G = 2.1<br>D <sub>OR</sub> = 0.8 | H = 2.7<br>K = 2.8<br>D <sub>ISO</sub> = 1.4 |   |   |   |                          |   |   |
| Order No.<br>BESTELL - Nr.<br>Strip<br>BANDWARE | Rev. | Design<br>Serrations | Wire Range<br>Drahtgroessen<br>Bereich<br>(mm <sup>2</sup> ) | Insulation<br>φ<br>Isolations<br>φ (mm) | Material<br>Werkstoff                       | Surface<br>Oberflaeche                       | Lenght<br>Laenge              | Wire crimp<br>Drahtcrimp                    | Insul.crimp<br>Iso crimp                     | Crimp Dimension<br>Crimpabmessungen<br>(mm) |   |   |                          |   |   |

Contacts for  
Single Wire Sealing System; FLR-and FLK-Cable  
Kontakt fuer Einzel-Dichtung-System; FLR und FLK-Leitung  
Dimensions see Figure Contacts for FLR - Cable  
Masse siehe Darstellung der Kontakte fuer FLR-Leitung



| SINGLE WIRE SEAL<br>Einzel-Dichtung |                              |                      |
|-------------------------------------|------------------------------|----------------------|
| 963292-1                            | 2.7-3.0                      | yellow<br>gelb       |
| 963293-1                            | 2.0-2.7                      | redbrown<br>rotbraun |
| 963294-1                            | 1.2-2.1                      | blue<br>blau         |
| ORDER NO.<br>Bestell-Nr.            | Insulation φ<br>Isolations φ | Colour<br>Farbe      |



- NOTES  
Bemerkungen:
- △ BODY ELECTRO TIN PLATED OVER NICKEL 0.2 μm MIN.  
CONTACT AREA SELECTIVE GOLD OVER NICKEL 0.8 μm MIN.  
WIRE CRIMP AREA ELECTRO TIN PLATED 1 μm MIN. OVER NICKEL  
Kontaktkoerper gal. verzinnt ueber Nickel 0.2 μm min.  
Kontaktzone selectiv vergoldet ueber Nickel 0.8 μm min.  
Drahtcrimpbereich gal. verzinnt 1 μm min. ueber Nickel
  - △ ACCORDING INSULATION φ IS TO CHOOSE THE SINGLE WIRE SEAL  
Entsprechend dem Isolationsdurchmesser ist die Einzel-Dichtung auszuwaehlen
  - △ CONTACT AREA MIN. 3 μm PRE-SILVER PLATED  
Kontaktzone min. 3 μm vorversilbert

| REVISIONS |     |   |           |                        |
|-----------|-----|---|-----------|------------------------|
| #         | LYR | DESCRIPTION   | DATE      | OWN APV'D              |
| A7        |     | PNs and design 2 added  | 21DEC2011 | J. Knechtel M. Spitzer |
| A8        |     | PNs added   | 06NOV2013 | J. Knechtel M. Merz    |
| A9        |     | ECR-15-012070   | 13AUG2015 | J.B.JH BK              |
| A10       |     | Clarification of Serrations amount for PN 964292 and PN 964298. | 25MAR2020 | FRAN MERZ              |

THIS DRAWING IS A CONTROLLED DOCUMENT.  
DIESE ZEICHNUNG IST EIN KONTROLLIERTES DOKUMENT

TE Connectivity

PRODUCT GROUP DRAWING TAB 2.8 x 0.8 MM TYPE A  
Produkt-Gruppen-Zeichnung Flachstecker 2.8 x 0.8 mm Typ A

SCALE 10:1 SHEET 1 OF 1 REV. A10

## X-ON Electronics

Largest Supplier of Electrical and Electronic Components

*Click to view similar products for [Automotive Connectors](#) category:*

*Click to view products by [TE Connectivity](#) manufacturer:*

Other Similar products are found below :

[003-018-000](#) [60403001](#) [60993906-B](#) [M902-2131](#) [M902-2161](#) [72.330.1035.1](#) [73.353.4028.0](#) [F119300-B](#) [F166900](#) [F258300-B](#) [F358300-B](#)  
[F407400](#) [F444110](#) [F487000](#) [F509500B-B](#) [827153-1](#) [8N1515-32-24P](#) [9-1326729-8](#) [925474-1](#) [928905-1](#) [964562-4](#) [968782-1](#) [GT17SA-8DS-](#)  
[HU](#) [98891-1012](#) [98947-1016](#) [12004147](#) [12004475-L](#) [12010290](#) [12010309-B](#) [12015454](#) [12020219-B](#) [12020308](#) [12041318-B](#) [12052225-L](#)  
[12052466](#) [12059125](#) [12064869](#) [12004327-B](#) [12010503-B](#) [12015308](#) [12015384](#) [12015909](#) [1-21030-1](#) [12041254](#) [12041318](#) [12047946-B](#)  
[12047957](#) [12047957-L](#) [12059473](#) [12066261](#)