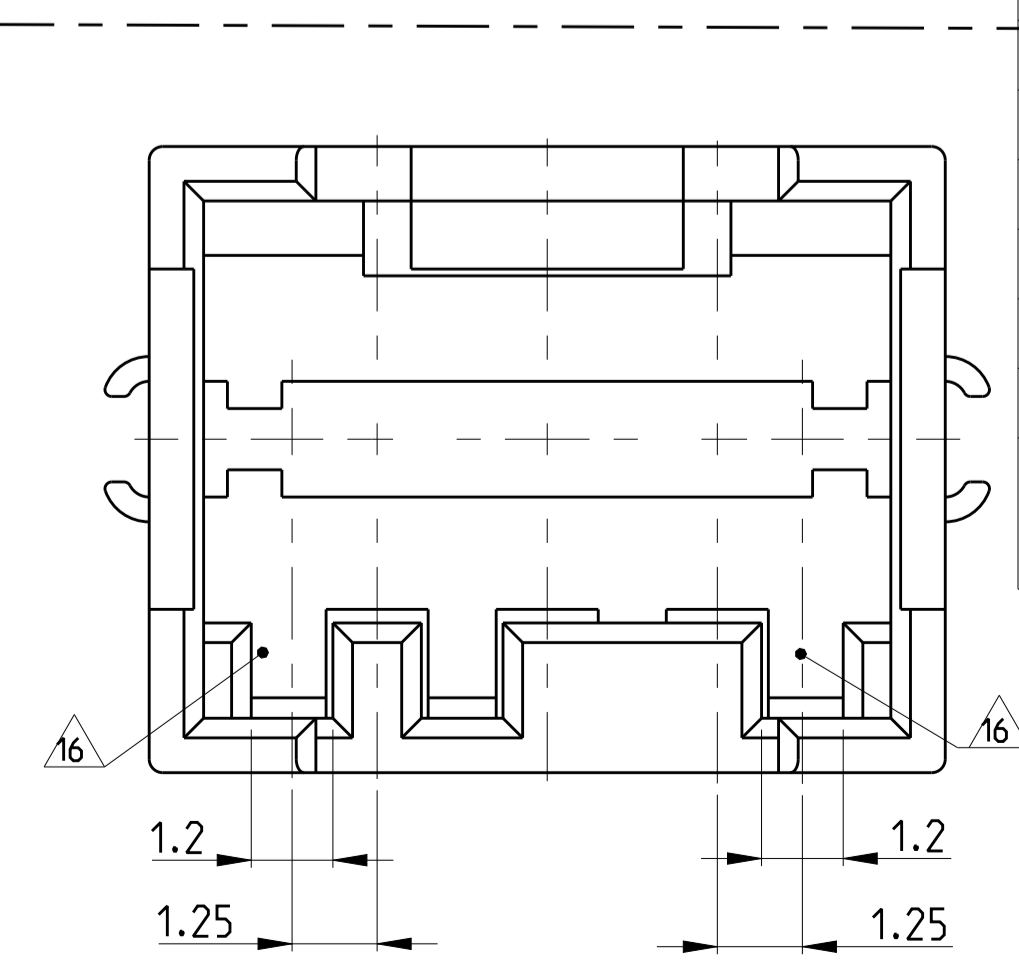


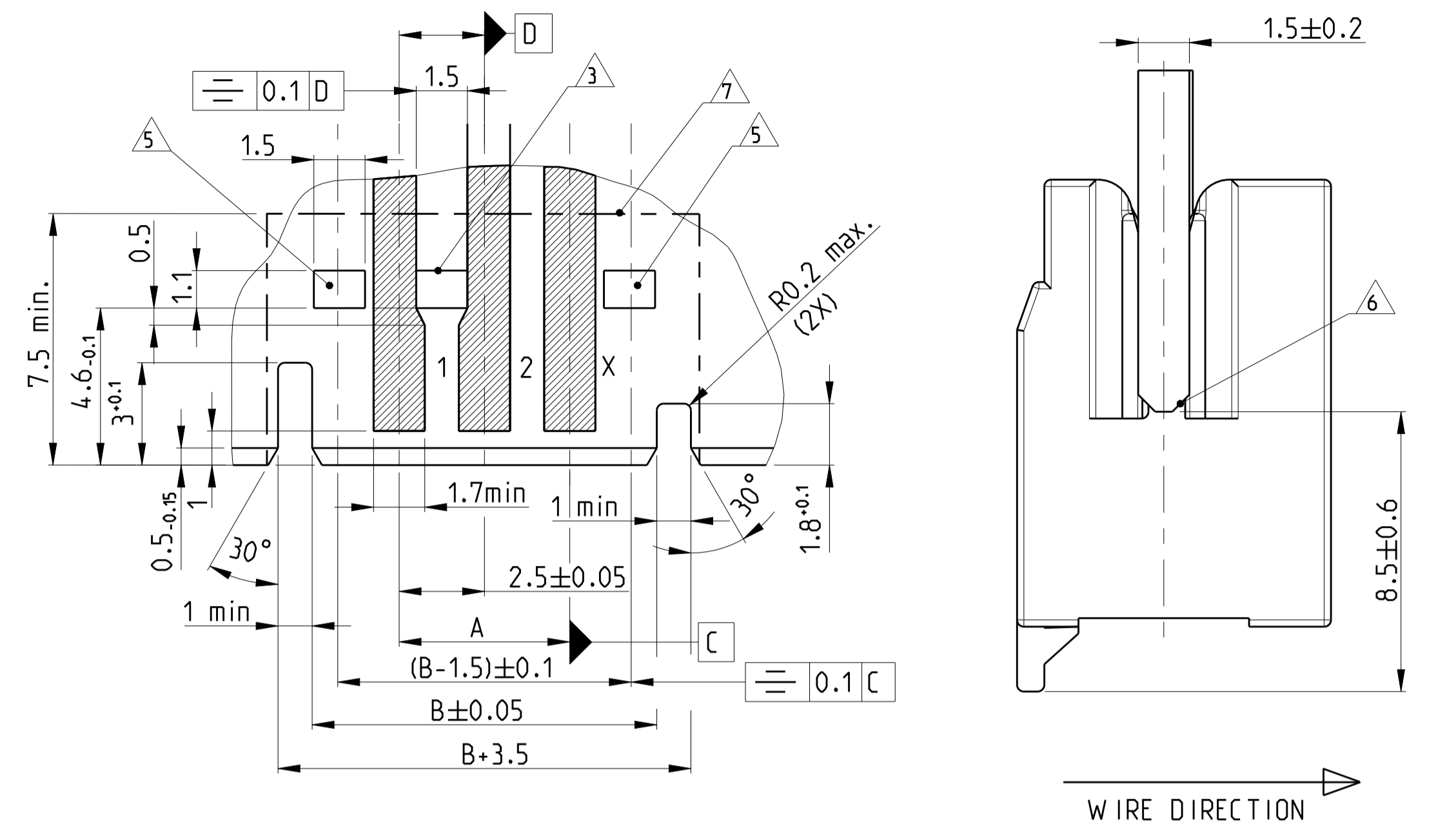
SECTION A-A

- 1 KODIERUNG ZW ISCHEN KAMMER 1 UND 2 DARGESTELLT (AUF ANFRAGE) KEYING SHOWN BETWEEN CAVITY 1 AND 2 (ON REQUEST)
- 2 RASTHAKEN BEI ERSTER UND LETZTER KAMMER IMMER VORHANDEN LOSCKING CLIP ALWAYS ON FIRST AND LAST CAVITY
- 3 ZUSATZLICHE RASTHAKEN ZW ISCHEN KAMMER-NR.SIEHE BLATT 2 VON 2 ADDITIONAL LOCKING CLIP BETWEEN CAVITY NO SEE SHEET 2 OF 2
- 4 KAMMERNUMMER CAVITY NO
- 5 RASTFENSTER IMMER VORHANDEN LOCKING WINDOW ALWAYS PRESENT
- 6 LEITERPLATTE VORZUGSWEISE ANGEFAST PCB CHAMFERED PREFERABLE
- 7 PLATZBEDARF FOR RAHMEN AREA FOR FRAME
- 8 PR ÜF ÖFFNUNGEN INSPECTION HOLES
- 9 KLEMMFEDERN NIGHT VOL AUSGESDPRITZTE KONTUR ZUL ßSSIG CLIPS.SHAPE NOT FULLY MOLDED PERMISSIBLE

- 10 Passende Gegenstecker siehe PN 829 868/966 194 MATING PARTS SEE PN 829 868/966 194
- 12 WITH STROKE LINE DRAWN VERSIONS NOT YET AVAILABLE
- 13 14 15 SIEHE BLATT 2 VON 2 SEE SHEET 2 OF 2
- 16 Aubennuten eingeengt. Varianten eiehe Blatt 2) GROOVES ON OUTSIDE NARROWED.VERSIONS SEE SHEET 2
- 17 GLOW WIRE TEST 750°C ACC.DIN EN 60695-2-11 WITHOUT FLAME
- 18 OBSOLETE
- 19 PRELIMINARY PART, NOT FOR PRODUCTION

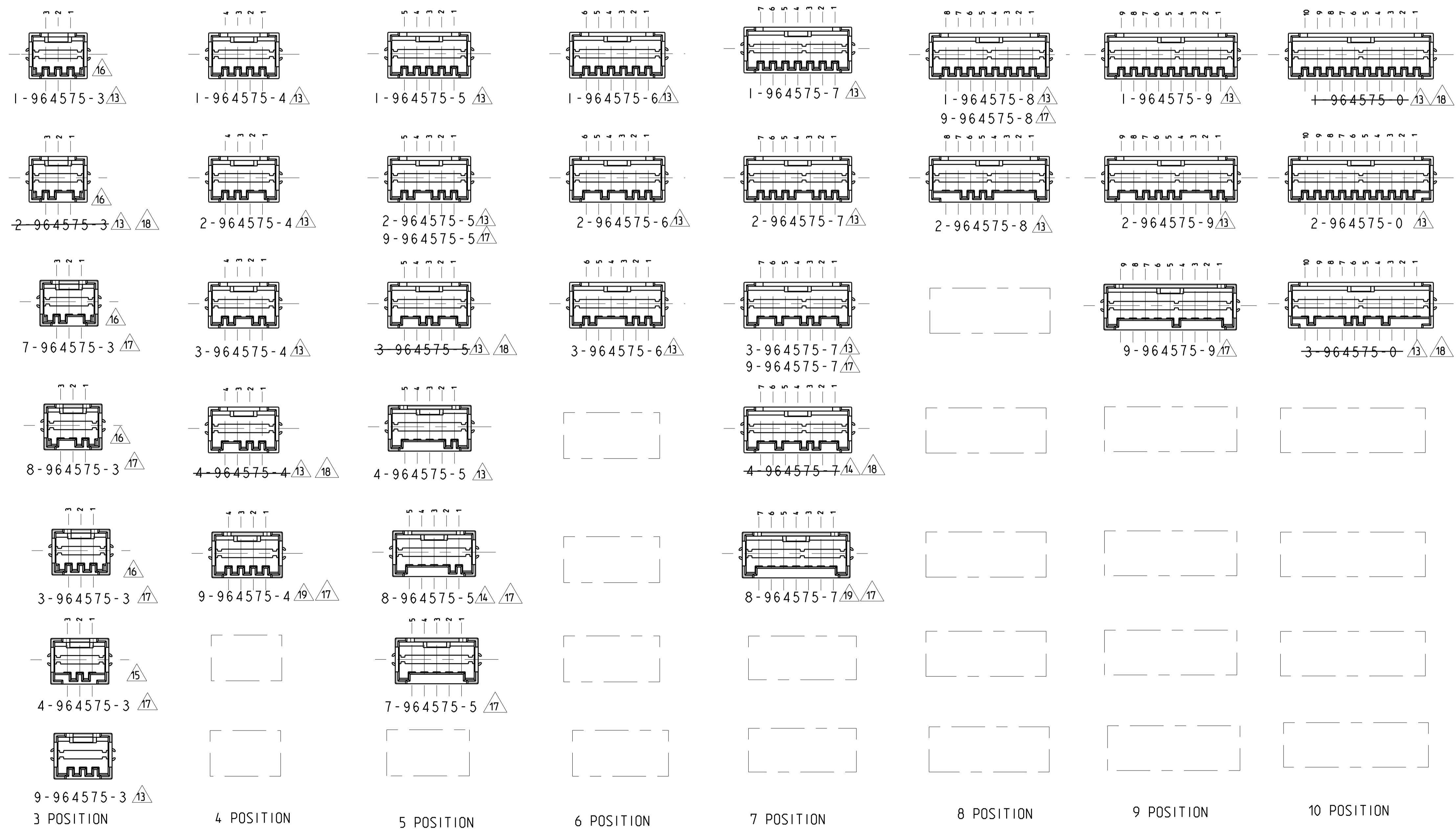
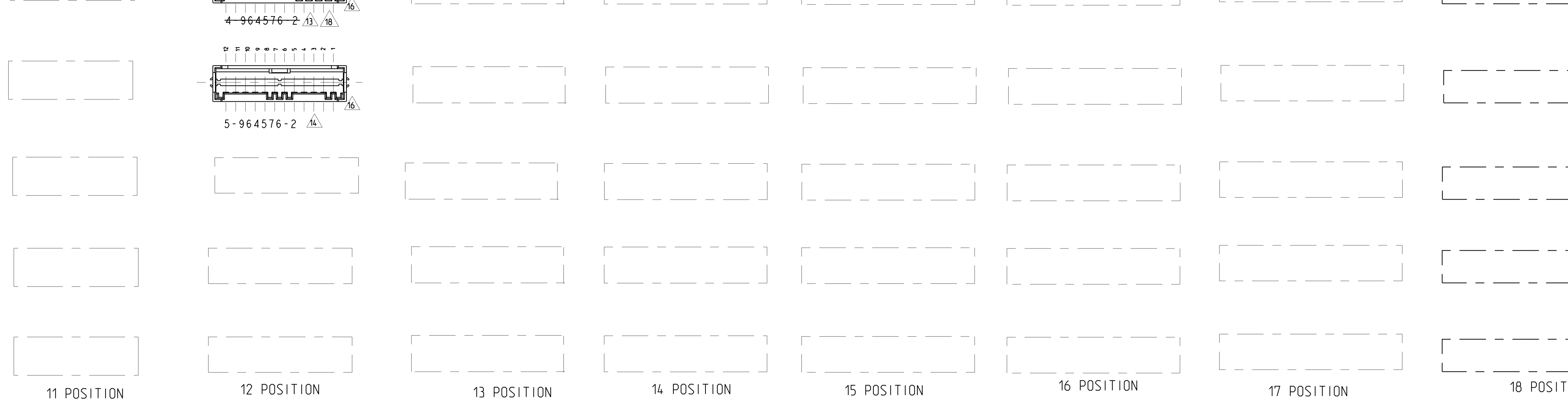


LOC		DIST		REVISIONS			
A	I	P	LTR	DESCRIPTION	DATE	DWN	APVD
C	17			REVISED PER ECR-19-001078	1FEB2019	RS	LZ
C	18			ECR-19-011325	18JUL2019	LZ	FL
C	19			ECR-20-000612	17JAN2020	SM	FL



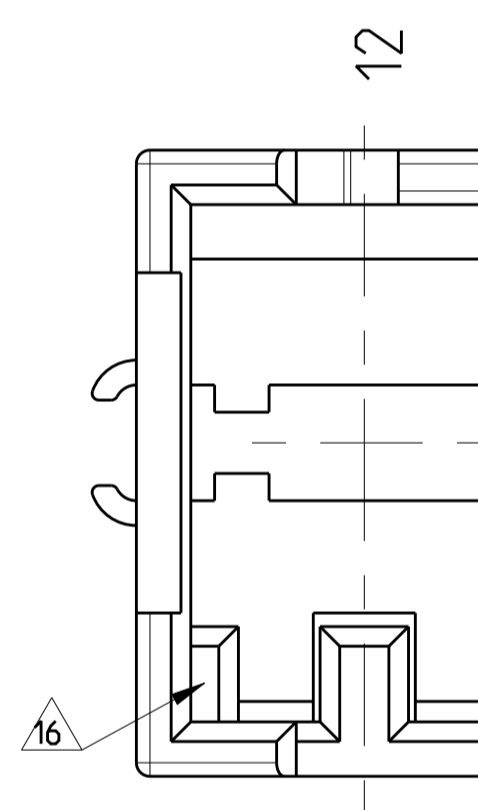
POS	DIM C	DIM B	DIM A	KEYING VERSIONS SEE SHEET 2 OF 2				REV	HOUSING PART NO	
20	49.5	52.6	47.5	-	-	-	-	1-	964576-0	
19	47	50.1	45.0	-	-	-	-	1- 18	964576-9	
18	44.5	47.6	42.5	-	-	-	-	1-	964576-8	
17	42	45.1	40.0	-	-	-	2-	1-	964576-7	
16	39.5	42.6	37.5	-	-	-	1-	1-	964576-6	
15	37	40.1	35.0	-	-	-	2- 18	1-	964576-5	
14	34.5	37.6	32.5	-	-	-	1-	1-	964576-4	
13	32	35.1	30.0	-	-	-	1- 18	1-	964576-3	
12	29.5	32.6	27.5	-	-	6- 18	5- 4- 18	3- 2- 1- 18	964576-2	
11	27	30.1	25.0	-	-	-	-	2- 1-	964576-1	
10	24.5	27.6	22.5	-	-	-	3- 18	2- 1- 18	964575-0	
9	22	25.1	20.0	-	-	-	-	2- 1-	964575-9	
9	22	25.1	20.0	-	9-	-	-	A	964575-9 17	
8	19.5	22.6	17.5	-	9-	-	-	A	964575-8 17	
8	19.5	22.6	17.5	-	-	-	-	2- 1-	C 964575-8	
7	17	20.1	15.0	-	9- 19	-	-	A	964575-7 17	
7	17	20.1	15.0	-	-	-	4- 18	3- 2- 1-	C 964575-7	
6	14.5	17.6	12.5	-	-	-	-	3- 2- 1-	C 964575-6	
5	12	15.1	10.0	-	9-	8-	7-	A	964575-5 17	
5	12	15.1	10.0	-	-	-	4- 3- 18	2- 1-	C 964575-5	
4	9.5	12.6	7.5	-	9- 19	-	-	C	964575-4 17	
4	9.5	12.6	7.5	-	-	-	4- 18	3- 2- 1-	C 964575-4	
3	7	10.1	5.0	-	9-	-	-	2- 18	1-	C 964575-3
3	7	10.1	5.0	-	-	-	4-	C	964575-3 17	
3	7	10.1	5.0	-	-	8-	7-	3-	A 964575-3 17	

DIMENSIONS: mm
 TOLERANCES UNLESS OTHERWISE SPECIFIED:
 0 PLC ±0.2
 1 PLC ±0.2
 2 PLC ±0.2
 3 PLC ±0.2
 4 PLC ±0.2
 ANGLES ±0.1°
 MATERIAL PA 6.6 25%GF UL94 V-0
 FINISH -
 DWN ATZMANN 06JULY2019
 CHK BORMUTH 06JULY2019
 NAME AMP DUOPLUG 2.5 SYSTEM PCB RAHMEN
 AMP DUOPLUG 2.5 SYSTEM PCB FRAME (3-20 Posn)
 SIZE CAGE CODE DRAWING NO RESTRICTED TO
 WEIGHT -
 CUSTOMER DRAWING SCALE 10:1 SHEET 1 OF 2 REP 19






EXAMPLE:

CAVITY NO.



KEYING BETWEEN CAVITY 10 AND 11

-  COLOR: BLACK
-  COLOR: NATURAL (REDBROWN)
-  NATURAL (BEIGE)

X-ON Electronics

Largest Supplier of Electrical and Electronic Components

Click to view similar products for [Automotive Connectors](#) category:

Click to view products by [TE Connectivity](#) manufacturer:

Other Similar products are found below :

[003-018-000](#) [600858](#) [60403001](#) [60993906-B](#) [60993913-B](#) [629515004020001](#) [M902-2131](#) [M902-2161](#) [M902-2344](#) [72.330.1035.1](#)
[73.353.4028.0](#) [F118010](#) [F119300-B](#) [F132210](#) [F132210-B](#) [F166900](#) [F180100](#) [F258300](#) [F258300-B](#) [F294300-B](#) [F339100](#) [F339700](#) [F358300-](#)
[B](#) [F374110](#) [F407400](#) [F412210](#) [F427600](#) [F444110](#) [F487000](#) [F495100-B](#) [F500900-B](#) [F509500B-B](#) [770444-1](#) [776880-1](#) [827153-1](#) [881735-1](#)
[8N1515-32-24P](#) [9-1326727-8](#) [9-1326729-8](#) [925467-1](#) [925474-1](#) [928905-1](#) [936398-2](#) [964562-1](#) [964562-4](#) [964731-2](#) [965051-1](#) [968782-1](#)
[GT17SA-8DS-HU](#) [GT17VS-10DP-5.2CF](#)