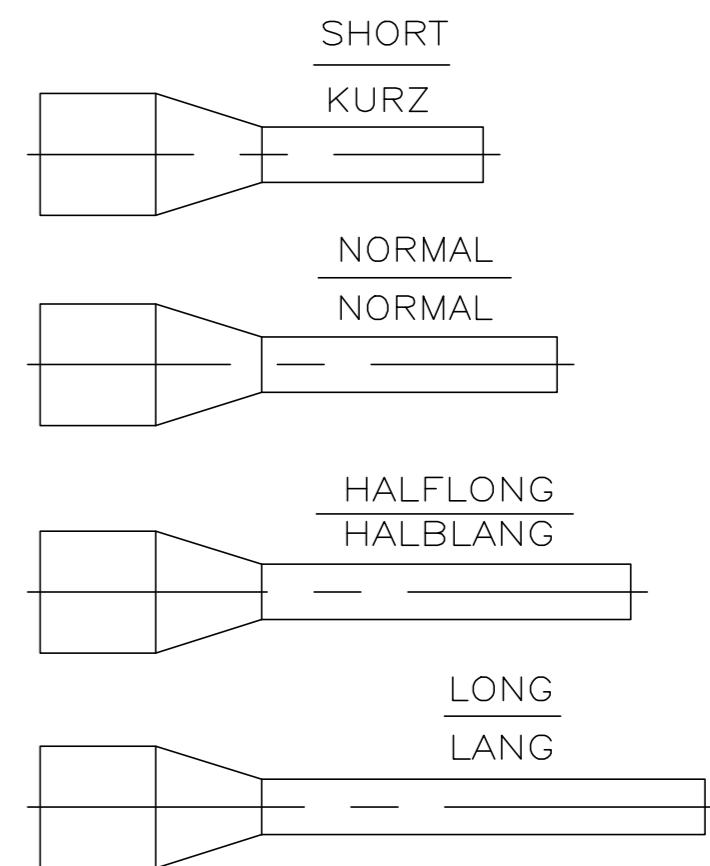
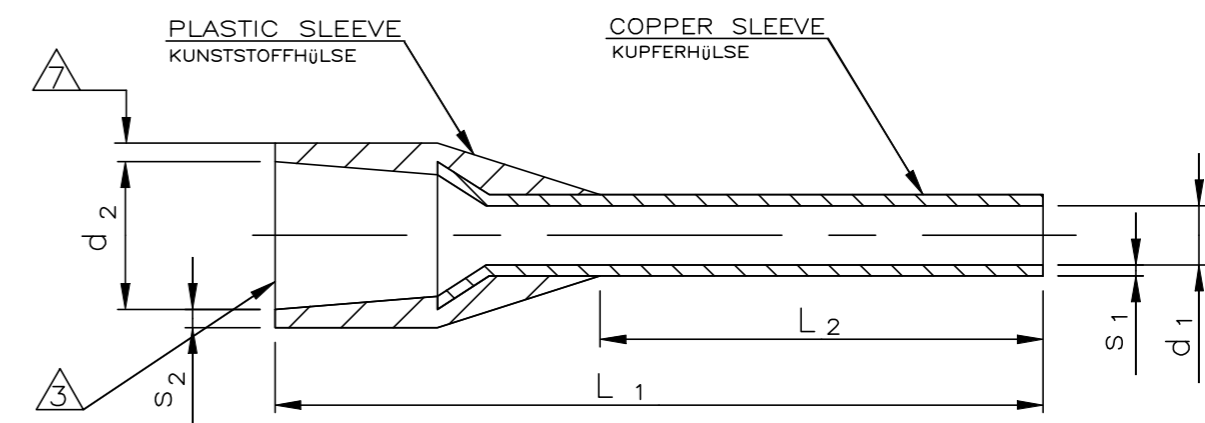


REVISIONS					
P	LTR	DESCRIPTION	DATE	DWN	APVD
	B5	PART NUMBER STATUS UPDATED	17FEB2014	KJK	JK
	B6	ECO-19-003069	01OCT2019	RS	DR

ORDER NO. BESTELL-NR.	CROSS SECTION QUERSCHNITT		STRIP LENGTH ABISOLIER-LÄNGE	TYPE AUSFÜHRUNG	COLOUR FARBE	L ₁ /mm	L ₂ /mm	d ₁ /mm	s ₁ /mm	d ₂ /mm	s ₂ /mm	PACKING UNIT VERPACKUNGSEINHEIT PARTS/STÜCK BAG/BEUTEL
	mm ²	AWG										
966 067-1	0.50	20	8	SHORT KURZ	WHITE WEIß	12.0 ±1.5	6.0 ±0.4	1.0 +0.14	0.15 ±0.05	2.6 ±0.2	0.25 ±0.10	500
966 067-2	0.50	20	10	NORMAL NORMAL	WHITE WEIß	14.0 ±1.5	8.0 ±0.4	1.0 +0.14	0.15 ±0.05	2.6 ±0.2	0.25 ±0.10	500
966 067-3	0.50	20	12	HALFLONG HALBLANG	WHITE WEIß	16.0 ±1.5	10.0 ±0.4	1.0 +0.14	0.15 ±0.05	2.6 ±0.2	0.25 ±0.10	500
966 067-4	0.75	18	8	SHORT KURZ	GREY GRAU	12.0 ±1.5	6.0 ±0.4	1.2 +0.14	0.15 ±0.05	2.8 ±0.2	0.25 ±0.10	500
966 067-5	0.75	18	10	NORMAL NORMAL	GREY GRAU	14.0 ±1.5	8.0 ±0.4	1.2 +0.14	0.15 ±0.05	2.8 ±0.2	0.25 ±0.10	500
966 067-6	0.75	18	12	HALFLONG HALBLANG	GREY GRAU	16.0 ±1.5	10.0 ±0.4	1.2 +0.14	0.15 ±0.05	2.8 ±0.2	0.25 ±0.10	500
966 067-7	0.75	18	14	LONG LANG	GREY GRAU	18.0 ±1.5	12.0 ±0.6	1.2 +0.14	0.15 ±0.05	2.8 ±0.2	0.25 ±0.10	500
966 067-8	1.00	17	8	SHORT KURZ	RED ROT	12.0 ±1.5	6.0 ±0.4	1.4 +0.14	0.15 ±0.05	3.0 ±0.2	0.25 ±0.10	500
966 067-9	1.00	17	10	NORMAL NORMAL	RED ROT	14.0 ±1.5	8.0 ±0.4	1.4 +0.14	0.15 ±0.05	3.0 ±0.2	0.25 ±0.10	500
1-966 067-0	1.00	17	12	HALFLONG HALBLANG	RED ROT	16.0 ±1.5	10.0 ±0.4	1.4 +0.14	0.15 ±0.05	3.0 ±0.2	0.25 ±0.10	500
1-966 067-1	1.00	17	14	LONG LANG	RED ROT	18.0 ±1.5	12.0 ±0.6	1.4 +0.14	0.15 ±0.05	3.0 ±0.2	0.25 ±0.10	500
1-966 067-2	1.50	16	10	NORMAL NORMAL	BLACK SCHWARZ	14.0 ±1.5	8.0 ±0.4	1.7 +0.25	0.15 ±0.05	3.5 ±0.2	0.25 ±0.10	500
1-966 067-3	1.50	16	12	HALFLONG HALBLANG	BLACK SCHWARZ	16.0 ±1.5	10.0 ±0.4	1.7 +0.25	0.15 ±0.05	3.5 ±0.2	0.25 ±0.10	500
1-966 067-4	1.50	16	14	HALFLONG+ HALBLANG+	BLACK SCHWARZ	18.0 ±1.5	12.0 ±0.6	1.7 +0.25	0.15 ±0.05	3.5 ±0.2	0.25 ±0.10	500
1-966 067-6	2.50	14	10	NORMAL NORMAL	BLUE BLAU	14.0 ±1.5	8.0 ±0.4	2.2 +0.25	0.15 ±0.05	4.2 ±0.2	0.25 ±0.10	500
1-966 067-7	2.50	14	14	HALFLONG HALBLANG	BLUE BLAU	18.0 ±1.5	12.0 ±0.6	2.2 +0.25	0.15 ±0.05	4.2 ±0.2	0.25 ±0.10	500
1-966 067-8	2.50	14	20	LONG LANG	BLUE BLAU	24.0 ±2.0	18.0 ±0.6	2.2 +0.25	0.15 ±0.05	4.2 ±0.2	0.25 ±0.10	500
1-966 067-9	4.00	11	12	NORMAL NORMAL	GREY GRAU	17.0 ±1.5	10.0 ±0.4	2.8 +0.25	0.20 ±0.05	4.8 ±0.4	0.30 ±0.10	500
2-966 067-0	4.00	11	14	HALFLONG HALBLANG	GREY GRAU	20.0 ±1.5	12.0 ±0.6	2.8 +0.25	0.20 ±0.05	4.8 ±0.4	0.30 ±0.10	500
2-966 067-1	4.00	11	20	LONG LANG	GREY GRAU	26.0 ±2.0	18.0 ±0.6	2.8 +0.25	0.20 ±0.05	4.8 ±0.4	0.30 ±0.10	100
2-966 067-2	6.00	10	14	NORMAL NORMAL	YELLOW GELB	20.0 ±1.5	12.0 ±0.6	3.5 +0.30	0.20 ±0.05	6.3 ±0.4	0.30 ±0.10	100
2-966 067-3	6.00	10	20	LONG LANG	YELLOW GELB	26.0 ±2.0	18.0 ±0.6	3.5 +0.30	0.20 ±0.05	6.3 ±0.4	0.30 ±0.10	100
2-966 067-4	10.00	7	15	NORMAL NORMAL	RED ROT	22.0 ±2.0	12.0 ±0.6	4.5 +0.30	0.20 ±0.05	7.6 ±0.4	0.40 ±0.15	100
2-966 067-5	10.00	7	21	LONG LANG	RED ROT	28.0 ±2.0	18.0 ±0.6	4.5 +0.30	0.20 ±0.05	7.6 ±0.4	0.40 ±0.15	100
2-966 067-6	16.00	5	15	NORMAL NORMAL	BLUE BLAU	24.0 ±2.0	12.0 ±0.6	5.8 +0.30	0.20 ±0.05	8.8 ±0.4	0.40 ±0.15	100
2-966 067-7	16.00	5	21	LONG LANG	BLUE BLAU	28.0 ±2.0	18.0 ±0.6	5.8 +0.30	0.20 ±0.05	8.8 ±0.4	0.40 ±0.15	100



- ① THE AWG CROSS-SECTION CAN SLIGHT DEVIATING OF THE DIN-STANDARD CROSS-SECTION VALUES
 DER AWG-QUERSCHNITT KANN VON DEN DIN-NORM QUERSCHNITTSWERTEN GERINGFÜGIG ABWEICHEN.
 - ② RECOMMENDED STRIP LENGTH
 EMPFOHLENE ABISOLIERLÄNGE
 - ③ MAX. INSULATION-DIA. OF WIRE: d₂ MIN.- 0.1
 MAX. ISOLATIONS-Ø DER LEITUNG: d₂ MIN.- 0.1
 - ④ TUBULAR END-SLEEVE WITH PLASTIC SLEEVE ACCORDING TO DIN 46228 PART 4
 ADERENDHÜLSE MIT KUNSTSTOFFHÜLSE NACH DIN 46228 TEIL 4
- + SPECIAL
 + SPEZIAL
- 5. USE HAND TOOL 539660-1
 5. BENUTZEN SIE HANDWERKZEUG 539660-1
 - 6. NOTE DELETED.
 - ① LENGTH "L1" INCLUDES MOLDING FLASH PRESENT IN THIS ZONE.

THIS DRAWING IS A CONTROLLED DOCUMENT.		DWN R. SCHMIDT 13NOV1996			
DIMENSIONS: mm		CHK W. BOCK 13NOV1996			
TOLERANCES UNLESS OTHERWISE SPECIFIED:		APVD G. FELDMEIER 13NOV1996	NAME TUBULAR END-SLEEVE WITH PLASTIC SLEEVE ADERENDHÜLSE MIT KUNSTSTOFFHÜLSE		
0 PLC ± - 1 PLC ± - 2 PLC ± - 3 PLC ± - 4 PLC ± - ANGLES ± -		PRODUCT SPEC APPLICATION SPEC	SIZE A2	CAGE CODE 00779	DRAWING NO. G=966067
MATERIAL -		WEIGHT -	RESTRICTED TO -		
CUSTOMER DRAWING			SCALE 1:1	SHEET 1 of 1	REV B6

X-ON Electronics

Largest Supplier of Electrical and Electronic Components

Click to view similar products for [Terminals](#) category:

Click to view products by [TE Connectivity](#) manufacturer:

Other Similar products are found below :

[00-054007-01074-6](#) [00-054007-70206-1](#) [00-054007-70210-8](#) [00-054007-70217-7](#) [00-054007-70226-9](#) [00-054007-70228-3](#) [00-054007-70248-1](#) [00-054007-70256-6](#) [00-054007-70301-3](#) [00-054007-70316-7](#) [0-0320562-0](#) [00-054007-49560-4](#) [00-054007-70209-2](#) [00-054007-70225-2](#) [00-054007-70227-6](#) [00-054007-70231-3](#) [00-054007-70241-2](#) [00-054007-70242-9](#) [00-054007-70244-3](#) [00-054007-70246-7](#) [00-054007-70263-4](#) [00-054007-70288-7](#) [00-054007-70290-0](#) [00-054007-70300-6](#) [00-054007-70304-4](#) [01-2065-1-0216](#) [01-2900-1-04412](#) [00581P0075](#) [600TS-10](#) [60205-1](#) [604200-1](#) [605601-1](#) [60598-1-CUT-TAPE](#) [61314-6-C](#) [61810-3](#) [61-S](#) [61-SN](#) [626-0194](#) [62-NBM-A](#) [62-SN](#) [62-SP](#) [63-S](#) [640179-1](#) [M55155/059I03](#) [M55155/079C01](#) [M55155/099H02](#) [M55155/109H01](#) [M55155/109H02](#) [M55155/12XH05](#) [M55155/16XH02](#)