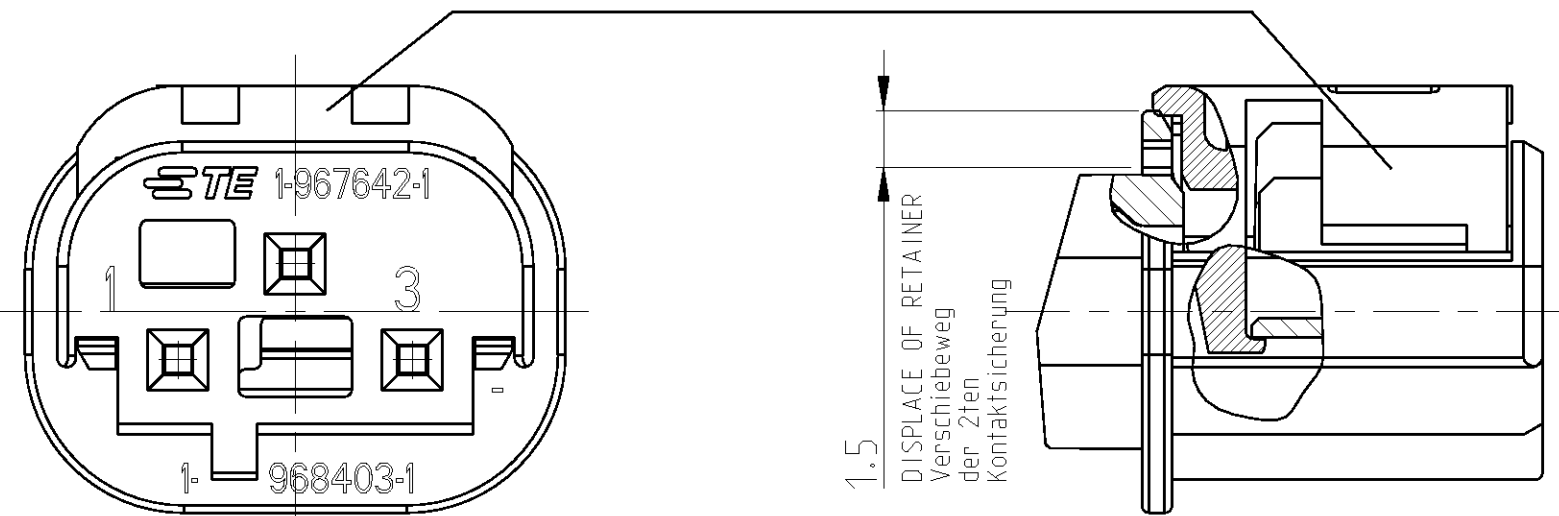
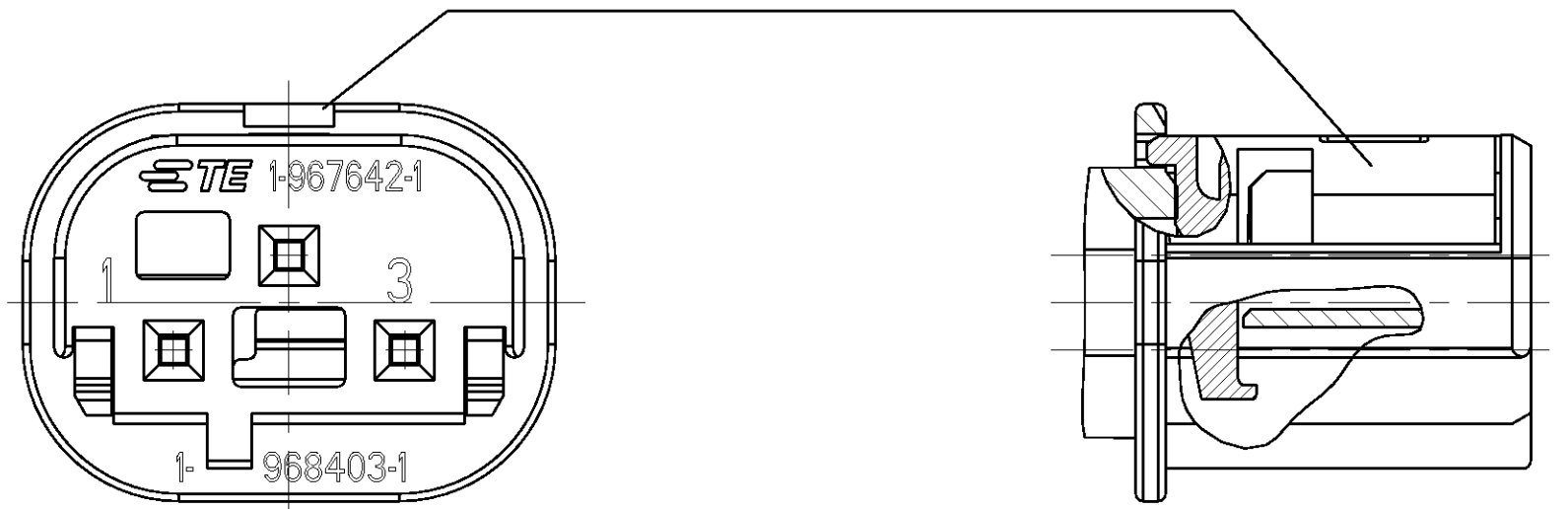


CONDITION ON DELIVERY LIEFERZUSTAND

2. RETAINER IN PRELOCKED POSITION Kontaktsicherung in Vorraststellung

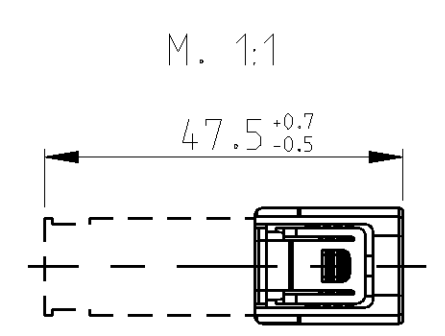


2. RETAINER IN ENDOCKED POSITION Kontaktsicherung in Endraststellung

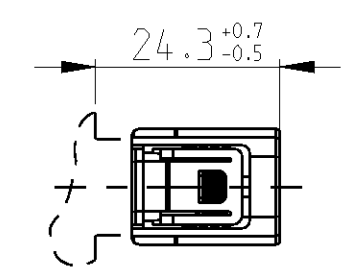


NOTES : Bemerkungen :

- ONLY THE GERMAN-LANGUAGE VERSION SHALL BE BINDING Maßgebend ist der deutsche Text
- SUITABLE FOR SOCKET CONTACT FOR SINGLE WIRE SEALING : Passend zu Buchsenkontakt für Einzeileiterabdichtung : TE 962885 (DGB 0.2 - 0.5 mm/2) , 965906 (DGB 0.75mm/2)
- SHROUDED CONNECTION SEE DRAWING : Kragenanschluß siehe Zeichnung : 114-18063-123
- SUITABLE FOR WIRE SIZE RANGE : Passend für Leitungsquerschnitt : T0 / bis 0.75 mm²

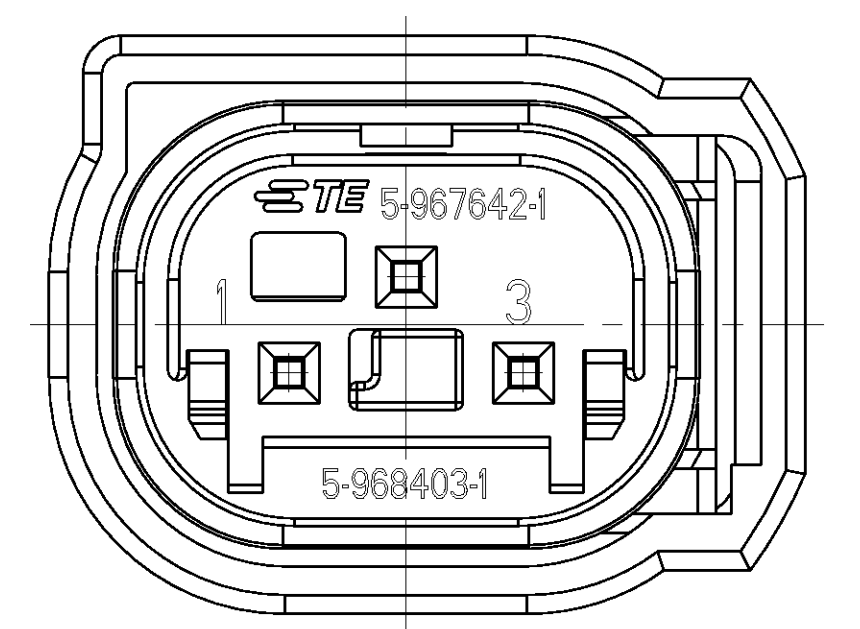


CLUTCH Kupplung

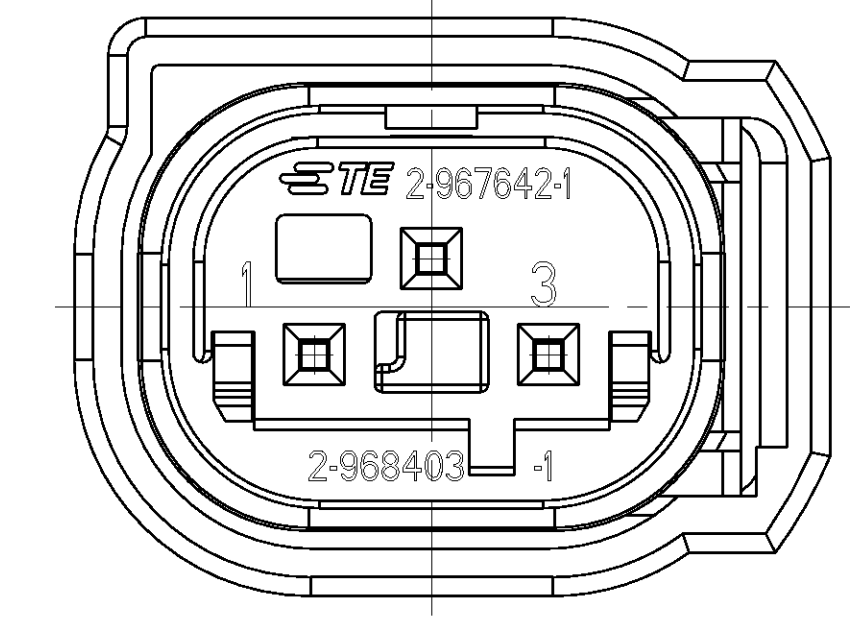


SHROUDED CONNECTION Kragenanschluß

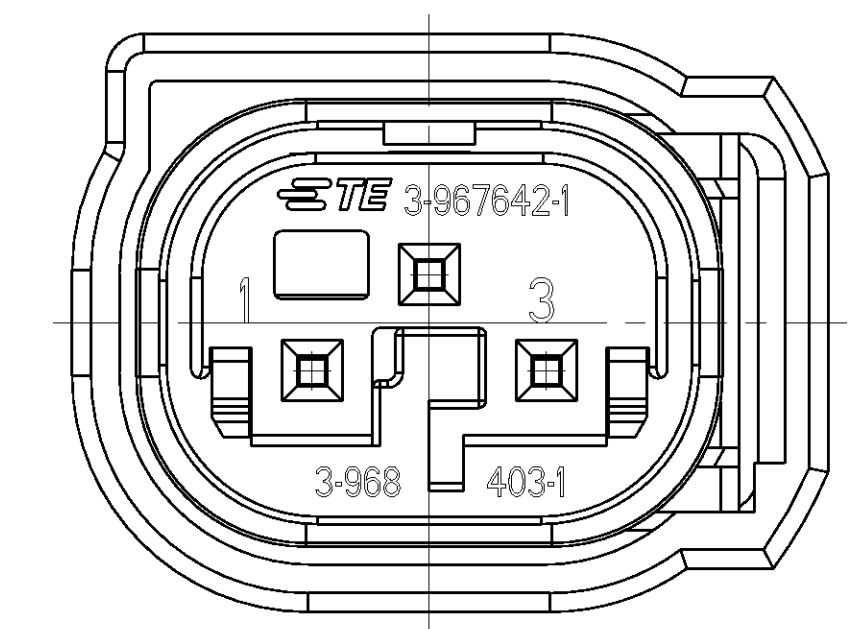
Coding E Kodierung E



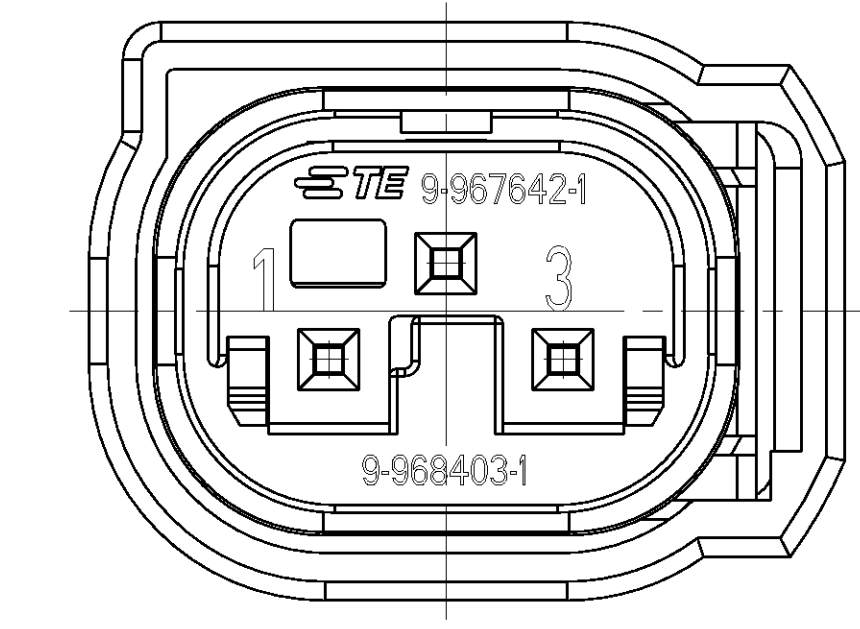
Coding B Kodierung B



CODING C Kodierung C



CODING Z Kodierung Z



CODING	ORDER NO.	REV	POS.	QTY.	DESCRIPTION	MATERIAL	COLOUR
Z	9-967642-1		4	1	PROTECTIVE COVER	PBT-GF 10	BLACK
			3	1	SEALING	MVQ30	WHITE
			2	1	RETAINER	PBT-GF 15	GREEN
			1	1	SOCKET HOUSING	PBT-GF 15	WATER BLUE
E	5-967642-1	C	4	1	PROTECTIVE COVER	PBT-GF 10	BLACK
			3	1	SEALING	MVQ30	WHITE
			2	1	RETAINER	PBT-GF 15	GREEN
			1	1	SOCKET HOUSING	PBT-GF 15	BROWN
C	3-9637642-1		4	1	PROTECTIVE COVER	PBT-GF 10	BLACK
			3	1	SEALING	MVQ30	WHITE
			2	1	RETAINER	PBT-GF 15	GREEN
			1	1	SOCKET HOUSING	PBT-GF 15	BLUE
B	2-967642-2	B	4	1	PROTECTIVE COVER	PBT-GF 10	GREY
			3	1	SEALING	MVQ30	WHITE
			2	1	RETAINER	PBT-GF 15	GREEN
			1	1	SOCKET HOUSING	PBT-GF 15	GREY
B	2-967642-1	F	4	1	PROTECTIVE COVER	PBT-GF 10	BLACK
			3	1	SEALING	MVQ30	WHITE
			2	1	RETAINER	PBT-GF 15	GREEN
			1	1	SOCKET HOUSING	PBT-GF 15	GREY
A	1-967642-1	F	4	1	PROTECTIVE COVER	PBT-GF 10	BLACK
			3	1	SEALING	MVQ30	WHITE
			2	1	RETAINER	PBT-GF 15	GREEN
			1	1	SOCKET HOUSING	PBT-GF 15	BLACK

THIS DRAWING IS A CONTROLLED DOCUMENT. DIESE ZEICHNUNG IST EIN DURCH UNS KONTROLLIERTES DOKUMENT. APPROVED FOR TECHNICAL DEPARTMENT. TECHNISCHE ABTEILUNG. APPROVED FOR TECHNICAL DEPARTMENT. TECHNISCHE ABTEILUNG.

DATE: 02MAY2011. DRAWING NO: 108-18272-0. APPLICATION SPEC: 114-18063-1. WEIGHT: -. FINISH: -. CUSTOMER DRAWING: /KUNDENZEICHNUNG. SCALE: 5:1. SHEET: 1 OF 1. REV: F3.

STE TE Connectivity. NAME: MQS-SOCKET HOUSING, SWS, 3POS.; ASS'Y. PRODUCT SPEC: 108-18272-0. APPLICATION SPEC: 114-18063-1. WEIGHT: -. FINISH: -. CUSTOMER DRAWING: /KUNDENZEICHNUNG. SCALE: 5:1. SHEET: 1 OF 1. REV: F3.

X-ON Electronics

Largest Supplier of Electrical and Electronic Components

Click to view similar products for [Automotive Connectors](#) category:

Click to view products by [TE Connectivity](#) manufacturer:

Other Similar products are found below :

[003-018-000](#) [60403001](#) [60993906-B](#) [M902-2131](#) [M902-2161](#) [M902-2344](#) [72.330.1035.1](#) [73.353.4028.0](#) [F119300-B](#) [F166900](#) [F258300-B](#)
[F358300-B](#) [F407400](#) [F444110](#) [F487000](#) [F509500B-B](#) [827153-1](#) [8N1515-32-24P](#) [9-1326729-8](#) [925474-1](#) [928905-1](#) [964562-4](#) [968782-1](#)
[GT17SA-8DS-HU](#) [98891-1012](#) [98947-1016](#) [12004147](#) [12004475-L](#) [12010290](#) [12010309-B](#) [12015454](#) [12020219-B](#) [12041318-B](#) [12052225-](#)
[L](#) [12052466](#) [12064869](#) [12004327-B](#) [12015308](#) [12015384](#) [12015909](#) [1-21030-1](#) [12041254](#) [12041318](#) [12047946-B](#) [12047957](#) [12047957-L](#)
[12059473](#) [12066261](#) [12110546](#) [12110546-B](#)