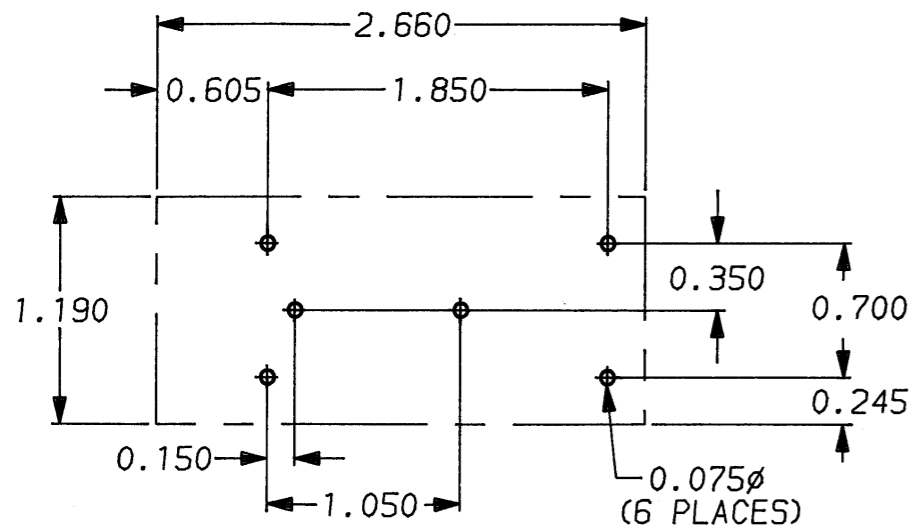
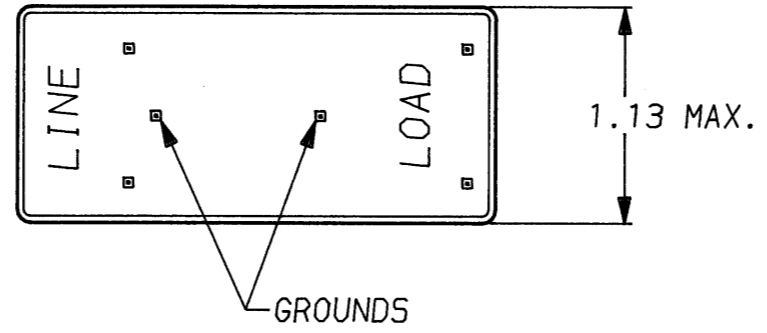
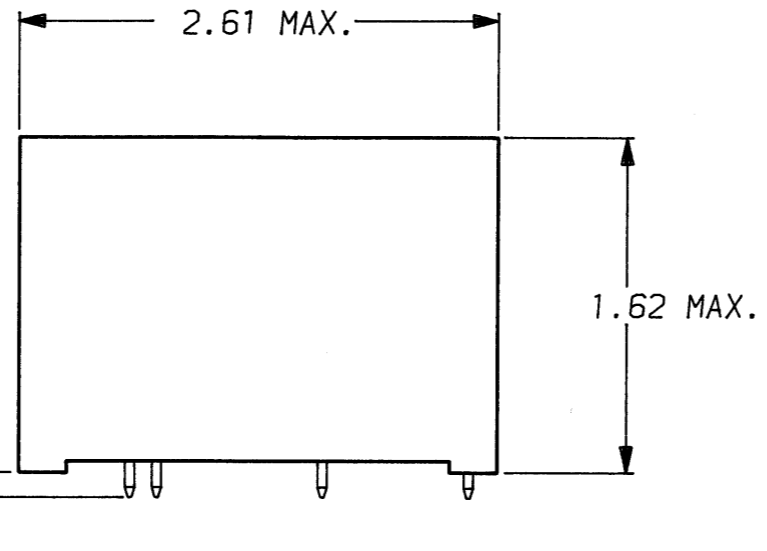


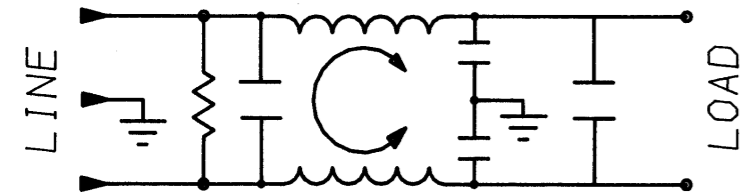
DESCRIPTION	APPROVED BY	DATE:	REV
	C. Westub	7-10-90	2
ECO-09-026495	AEG	07DEC09	3



RECOMMENDED MOUNTING HOLES & CLEARANCE AREA
TOLERANCE UNLESS OTHERWISE SPECIFIED: ±.006



PINS: .065 MAX. DIAGONAL
(6 PLACES)



SAFETY ORGANIZATION(S):

THIS FILTER HAS BEEN FORMALLY RECOGNIZED, CERTIFIED OR APPROVED BY THE LISTED AGENCY. THEREFORE, ALL TEST/REQUIREMENTS SPECIFIED IN THE LATEST REVISION OF THE FOLLOWING AGENCY STANDARDS HAVE BEEN MET:

- UL RECOGNIZED UL 1283
- CSA CERTIFIED CSA 22.2, NO.0,0.4,8
- VDE APPROVED VDE 565-3

OPERATING SPECIFICATIONS:

- LINE VOLTAGE/CURRENT: 2 AMP., 120/250 VAC
1.5 AMP./40°C. 250 VAC
- LINE FREQUENCY: 50-60Hz
- MAX. LEAKAGE CURRENT, EACH
LINE TO GROUND .3mA @ 120V 60Hz
.5mA @ 250V 50Hz
- OPERATING AMBIENT TEMP. RANGE: -10°C TO +60°C @ RATED CURRENT, I_r

IN AN AMBIENT, T_a, HIGHER THAN 60°C, THE MAXIMUM OPERATING CURRENT, I_o, IS AS FOLLOWS:

$$I_o = I_r \sqrt{\frac{85 - T_a}{25}}$$

RELIABILITY SPECIFICATIONS:

- STORAGE TEMPERATURE: -40°C TO +85°C
- HUMIDITY: 21 DAYS @ 40°C 95% RH
- CURRENT OVERLOAD TEST: 6 TIMES RATED CURRENT FOR 8 SECONDS

TEST SPECIFICATIONS:

- INDUCTANCE: 5.7mH NOMINAL
- CAPACITANCE: (MEASURED @ 1 KHz, 0.25 VAC MAX., 25°C ±1°C)
LINE TO GROUND: 8000pF ±20%
LINE TO LINE: 0.37µF ±20%
- DISCHARGE RESISTOR: 820 KΩ
- LINE/GROUND AND LINE/LINE: 6000 MΩ (MIN) AT 100 VDC
- INSULATION RESISTANCE (WITHOUT DISCHARGE RESISTOR): 20°C AND 50% RH

RECOMMENDED RECEIVING INSPECTION HIPOT:

- LINES TO GROUND: 2250 VDC FOR 1 MINUTE
- LINE TO LINE: 1450 VDC FOR 1 MINUTE

FILTER APPROVAL:

THE BEST WAY TO SELECT AND QUALIFY A FILTER IS FOR YOUR ENGINEERING TO TEST THE UNIT IN YOUR EQUIPMENT.

6609061-2
1609061-2 OBSOLETE

⚠ OBSOLETE PARTS: OBSOLETE CIS STREAMLINING PER D.RENAUD/D.SINISI

50Ω - 50Ω (MINIMUM) INSERTION LOSS									
FREQUENCY MHz	.01	.05	.07	.15	.50	1	5	10	30
COMMON dB	8	21	24	31	49	44	40	40	40
DIFF. dB	—	10	19	40	70	75	70	60	55

TOLERANCE EXCEPT AS NOTED
DECIMAL: .XXX .XX .X ANGLES ± 1°
ENGLISH: ±.025
METRIC: ± —
MATERIAL: AS SUPPLIED



POWER LINE FILTER

This document is proprietary to CORCOM INC. and is not to be reproduced nor used for manufacturing purposes except on CORCOM's order or prior written consent.

FINISH:

SCALE	DATE	DRG. NO.	REV.
NTS	2-8-87	2EYP.	03
DRW. BY	ORIGINATOR		
LJD	CFW		

X-ON Electronics

Largest Supplier of Electrical and Electronic Components

Click to view similar products for [Power Line Filters](#) category:

Click to view products by [TE Connectivity](#) manufacturer:

Other Similar products are found below :

[6609019-3](#) [6609026-5](#) [6609030-6](#) [6609973-2](#) [D30A](#) [7-1609090-5](#) [F2810](#) [F4456A](#) [F7382Z](#) [F7863Z](#) [FAHAV3100ZC000](#) [806276](#) [FN2020B-1-06](#) [FN2080B-10-06](#) [FN2410H-32-33](#) [FP144](#) [FS4153-20-06](#) [FS4353-500-99](#) [12-MMB-030-11-D](#) [DB4-393](#) [15811T200](#) [20B1](#) [LC630](#) [2B1](#) [1609080-2](#) [1609993-8](#) [1-6609070-1](#) [F1100AA02](#) [F1150CC10](#) [F1500CA10](#) [F1500CA15](#) [F4041Z](#) [F7585E](#) [1B1](#) [FN2070A-16-06](#) [FN2090A-20-06](#) [FN2090B-12-06](#) [FN2090Z-1-06](#) [FN2410H-25-33](#) [FN2410H-60-34](#) [FN2410H-8-44](#) [FN2412H-8-44](#) [FN323B-6-01](#) [FN3258H-130-35](#) [FN610R-3-06](#) [20EHQ7](#) [20EHZ7](#) [20K1](#) [30B6](#) [3K1](#)