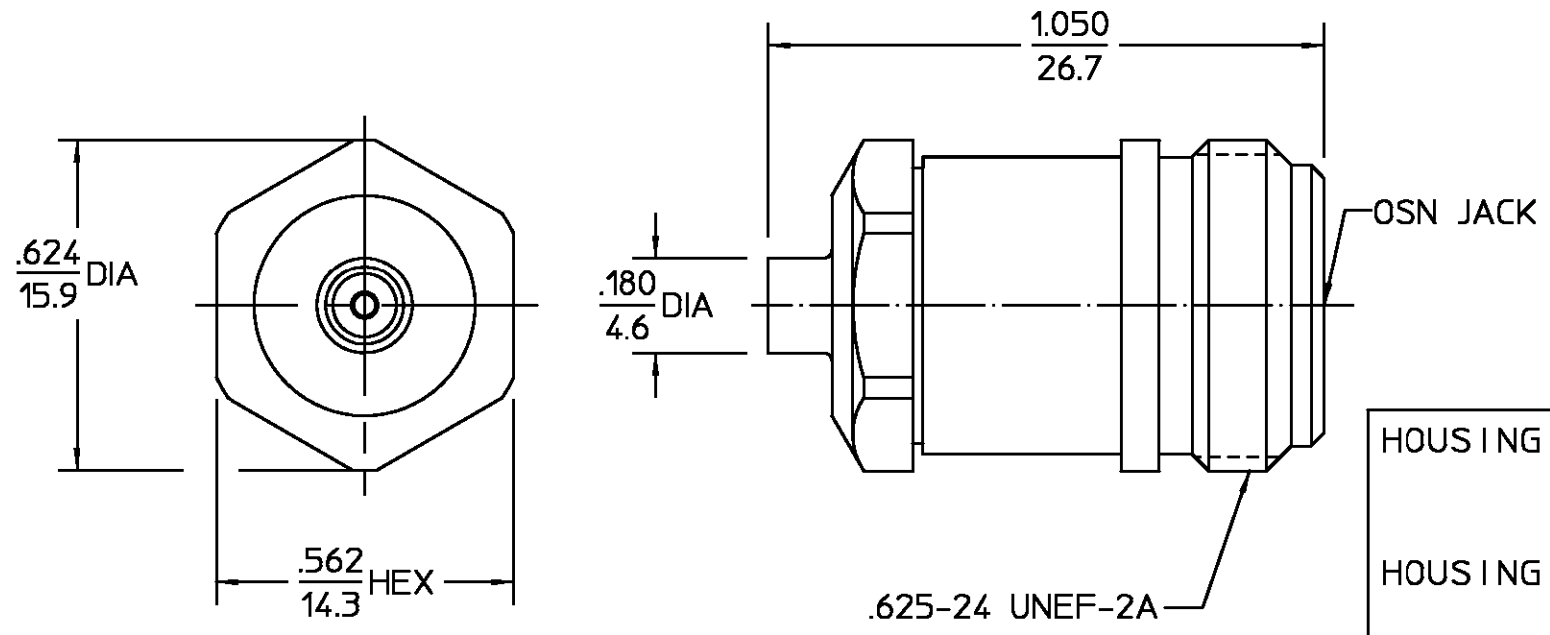


DESIGNED FOR USE WITH .141 S.R. CABLE	
CABLE ENTRY DIAMETER MINIMUM	
HOUSING	.145
CONTACT	.040

REVISIONS			
REV	DESCRIPTION	DATE	APPROVED
05 <sub>5</sub>	REVISED	3/19/96	



.XXX = in  
XX.X = mm

COMPONENT	MATERIAL	FINISH
HOUSING	STAINLESS STEEL PER ASTM-A484 AND ASTM-A582, TYPE 303	GOLD PLATE PER MIL-G-45204
HOUSING	STAINLESS STEEL PER ASTM-A484 AND ASTM-A582, TYPE 303	PASSIVATE PER QQ-P-35
DIELECTRIC	TFE FLUOROCARBON PER ASTM-D-1457	N/A
CENTER CONTACT	BERYLLIUM COPPER PER ASTM B 196, ALLOY C17300, CONDITION H	GOLD PLATE PER MIL-G-45204
"O" - RING	SILICONE RUBBER PER ZZ-R-765, CLASS 2B	N/A

ELECTRICAL	MECHANICAL	ENVIRONMENTAL
Nominal Impedance (Ohms) 50	Interface Dimensions MIL-STD-348A, Fig. 304.1	Temperature Rating -65 °C TO +165 °C
Frequency Range (GHz) 0 to 11 GHz	Recommended Mating Torque 6-10 In-Lbs	Vibration MIL-STD-202, Method 204, Condition B
Volt Rating (VRMS MAX) @ Sea Level 1000	Mating Characteristics: Insertion (MAX Lbs) 2	Shock MIL-STD-202, Method 213, Condition I
VSWR 1.06 +.007f(GHz)	Withdrawal (MIN Oz) 2	Thermal Shock MIL-STD-202, Method 107, Condition B, Except High Temp 85°C
Insertion Loss (dB MAX) .04 √f(GHz)	Force to Engage (In/Lbs MAX) 6 In-Lbs	Moisture Resistance MIL-STD-202, Method 106, Except Vibration
RF Leakage (dB MIN) -90	Center Contact Captivation: Axial (Lbs) N/A	Shall Be Omitted. No High Humidity
Corona, 70,000 Ft (VRMS MIN) 500	Radial (In/Oz) N/A	Corrosion - MIL-STD-202, Method 101, Condition B, 5% salt spray
Dielectric Withstanding Voltage (VRMS MIN) @ Sea Level 1500	Cable Retention: Axial Force (Lbs) 60 Lbs	
Contact Resistance (Milliohms MAX) Center Contact 1.0	Weight (Grams) TBD	
Outer Contact 0.2		
RF High Potential @ Sea Level (VRMS MIN @ 5 MHz) 1500		
LR.(Megohms MIN) 5000		

UNLESS OTHERWISE SPECIFIED DIMENSIONS ARE IN INCHES TOLERANCE ON

FRAC.	DEC.	ANGLES
± 1/64	±.005	± °

DRAWN BY PRB DATE 8/7/67  
 CHECKED BY SS 8/7/67  
 APPD BY DN 1/26/68

USE ASS'Y PROCEDURE  
 408-04913 (30-003)  
 NO. AP.

AMP Incorporated  
 140 Fourth Avenue  
 Waltham, MA 02451-7599

TITLE OSN STRAIGHT CABLE JACK  
 DIRECT SOLDER ATTACHMENT

SIZE B	CODE IDENT NO. 26805	3002-7941-00	REV 05 <sub>5</sub>
SCALE 3:1			SHEET 1 OF 1

## X-ON Electronics

Largest Supplier of Electrical and Electronic Components

*Click to view similar products for [RF Connectors / Coaxial Connectors](#) category:*

*Click to view products by [TE Connectivity](#) manufacturer:*

Other Similar products are found below :

[R125315120](#) [8915-1511-000](#) [89674-0827](#) [5916-1103-603](#) [6-0001-3](#) [6001-7071-019](#) [6002-7051-003](#) [6002-7551-202](#) [6059674-1](#) [619550-1](#)  
[630059-000](#) [M39012/25-0021](#) [M39012/79-3008](#) [M39030/3-01N](#) [M39030/3-03N](#) [M3933/25-36N](#) [6500-7071-046](#) [M83723/72W24576](#)  
[M83723/72W2457N](#) [6769](#) [CX050L2AQ](#) [7002-1541-010](#) [7002-1572-002](#) [7003-1572-002](#) [7010-1511-000](#) [7029-1511-060](#) [7101-1541-010](#)  
[7101-1571-002](#) [7105-1521-002](#) [7145-1521-002](#) [7209-1511-011](#) [7210-1511-015](#) [7210-1511-019](#) [7225-1512-050](#) [7242-1511-000](#) [73137-5015](#)  
[73251-0111](#) [73251-0672](#) [7325-1512-000](#) [73276-1501](#) [73366-0013](#) [73404-2300](#) [73413-6080](#) [73415-5721](#) [7405-1521-005](#) [7405-1521-802](#)  
[7406-1521-005](#) [804S01D04M040](#) [8145-1521-002](#) [81590](#)