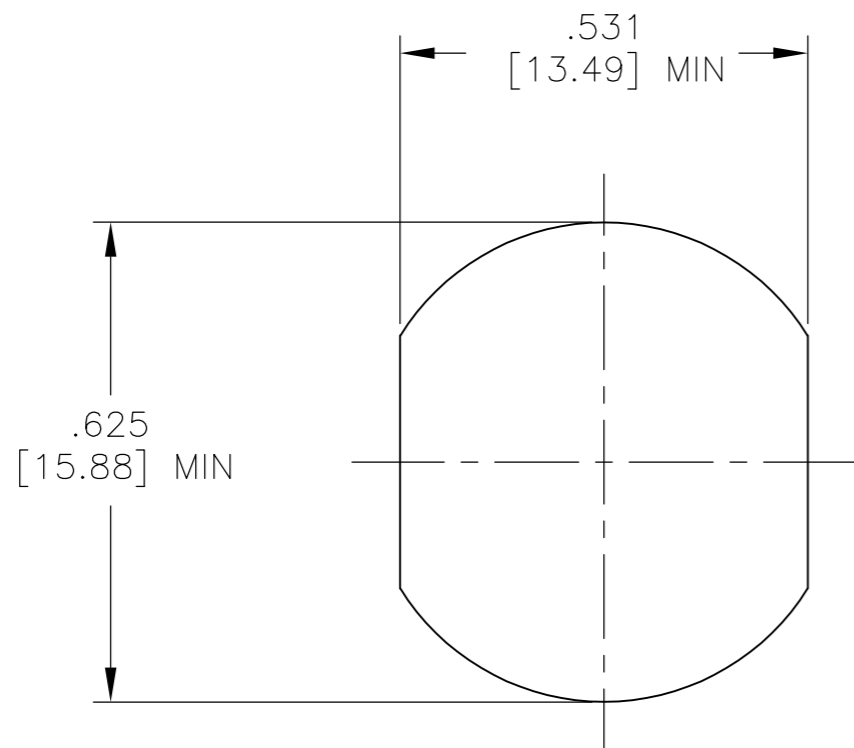


THIS DRAWING IS UNPUBLISHED.		RELEASED FOR PUBLICATION	
© COPYRIGHT - By -		ALL RIGHTS RESERVED.	
HOUSING	BRASS PER QQ-B-626 COMP. 360	GOLD PLATE PER ASTM-B488	
HOUSING MOUNTING NUT LOCKWASHER	STAINLESS STEEL PER ASTM-A484 AND ASTM- A582, TYPE 303	PASSIVATE PER SAE-AMS-2700	
DIELECTRIC	TFE FLUOROCARBON PER ASTM-D-1457	N/A	
CENTER CONTACT	BERYLLIUM COPPER PER ASTM B 196, ALLOY C17300, CONDITION H	GOLD PLATE PER ASTM-B488	
GASKET	SILICONE RUBBER PER ZZ-R-765	N/A	
"O" - RING	SILICONE RUBBER PER ZZ-R-765, CLASS 2B	N/A	
COMPONENT	MATERIAL	FINISH	

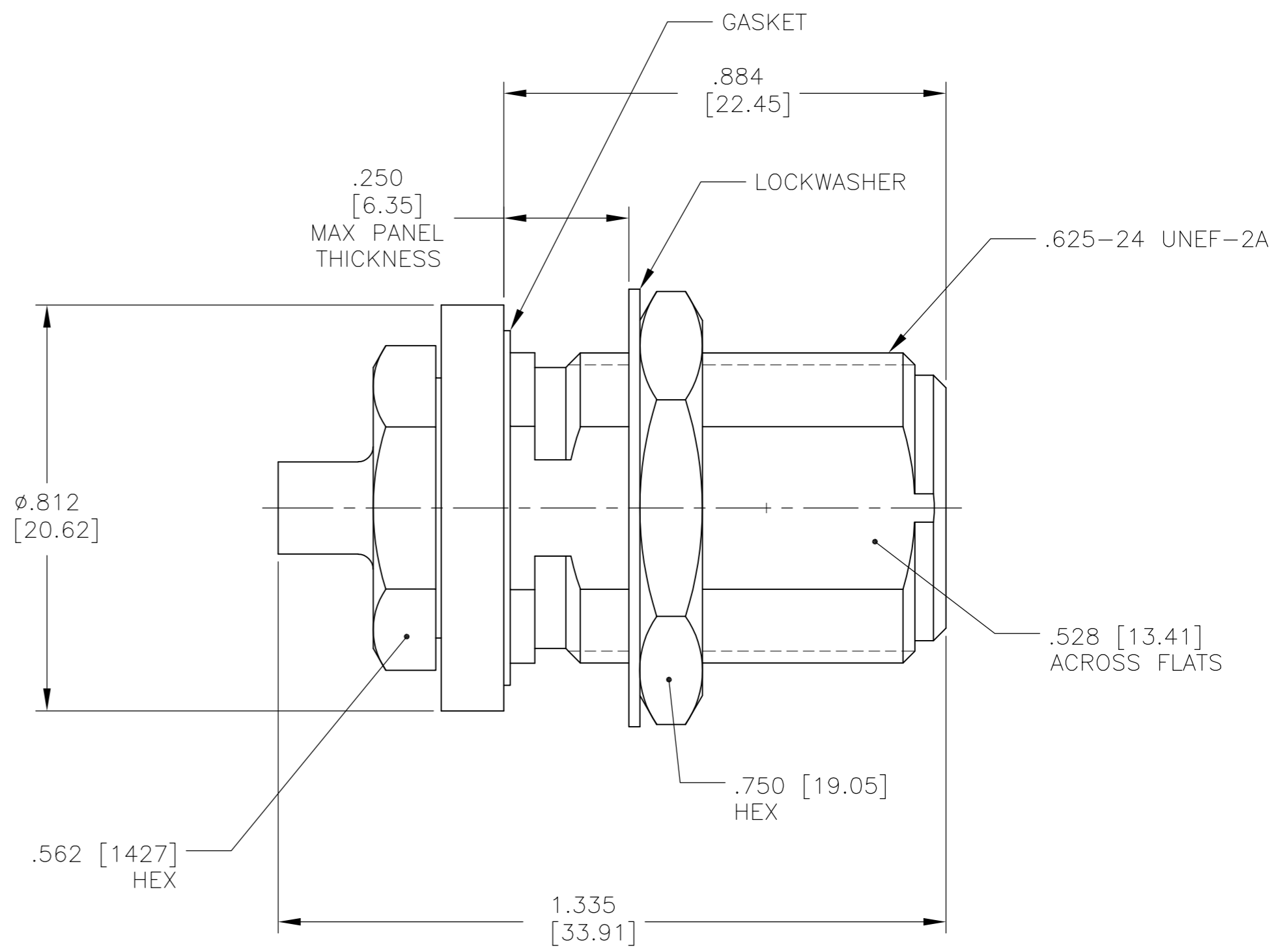


RECOMMENDED MOUNTING HOLE

DESIGNED FOR USE WITH .141 DIA S/R CABLE	
CABLE ENTRY DIAMETER MINIMUM	
HOUSING	.142 [3.61]
CONTACT	.041 [1.04]

ELECTRICAL	MECHANICAL	ENVIRONMENTAL
Nominal Impedance (Ohms) <u>50</u>	Interface Dimensions MIL-STD-348A, Fig. 304.2	TEMPERATURE RATING <u>-65°C TO +105°C</u>
Frequency Range (GHz) DC to <u>11</u>	Recommended Mating Torque <u>12-15 In Lbs</u>	Vibration MIL-STD-1344, Method 2005, Condition IV, 30g Peak
Volt Rating (VRMS MAX) @ Sea Level <u>600</u>	Mating Characteristics: Insertion (MAX Lbs) <u>2.0</u>	Shock MIL-STD-1344, Method 2004, Condition G
VSWR <u>1.07 + .007(f)GHz</u>	Withdrawal (MIN Oz) <u>2.0</u>	Thermal Shock MIL-STD-1344, Method 1003, Test Condition A, EXCEPT HIGH TEMP 115°C
Insertion Loss (dB MAX) <u>.03 √(f)GHz</u>	Force to Engage and Disengage (In/Lbs MAX) <u>6.0</u>	Corrosion - MIL-STD-1344, Method 1001, Condition B
RF Leakage (dB MIN) <u>-90dB</u> Between 2 to 3 GHz	Center Contact Captivation Axial (Lbs) <u>6.0</u>	
Corona, 70,000 Ft (VRMS MIN) <u>375</u>	Radial (In/Oz) <u>N/A</u>	
Dielectric Withstanding Voltage (VRMS MIN) @ Sea Level <u>1500</u>	Cable Retention Axial Force (Lbs) <u>60 Lbs Min</u>	
Contact Resistance (Milliohms MAX) Center Contact <u>1.5</u>	Torque (In/Oz) <u>55 In Oz Min</u>	
Outer Contact <u>2.0</u>	Weight (Grams) <u>TBD</u>	
RF High Potential @ Sea Level (VRMS MIN @ 5 MHz) <u>1000</u>		
I.R.(Megohms MIN) <u>5000</u>		

LOC	DIST	REVISIONS					
-	-	P	LTR	DESCRIPTION	DATE	DWN	APVD
		B		REV PER ECO 12-006209	3-30-12	CT	WM



1057159-1  
PART NUMBER

THIS DRAWING IS A CONTROLLED DOCUMENT.		DWN 29MAR2012 C.C.THOMAS	TE Connectivity	
DIMENSIONS: INCHES		CHK 3-30-12 W.MOYER	NAME	
TOLERANCES UNLESS OTHERWISE SPECIFIED:		APVD 3-30-12 W.MOYER	BULKHEAD FEEDTHROUGH CABLE JACK ASSY N SERIES, DIRECT SOLDER ATTACHMENT	
0 PLC ± - 1 PLC ± - 2 PLC ± - 3 PLC ± .005 [0.13] 4 PLC ± - ANGLES ± 1°		PRODUCT SPEC 408-04911	SIZE	RESTRICTED TO
MATERIAL SEE TABLE	FINISH SEE TABLE	APPLICATION SPEC	CAGE CODE A2 00779	DRAWING NO 1057159
CUSTOMER DRAWING		WEIGHT	SCALE 4:1	SHEET 1 of 1
		REV B		

## X-ON Electronics

Largest Supplier of Electrical and Electronic Components

*Click to view similar products for [RF Connectors / Coaxial Connectors](#) category:*

*Click to view products by [TE Connectivity](#) manufacturer:*

Other Similar products are found below :

[8915-1511-000](#) [89674-0827](#) [6001-7071-019](#) [6002-7051-003](#) [6002-7551-202](#) [6059674-1](#) [619550-1](#) [630059-000](#) [M39030/3-01N](#) [6500-7071-046](#) [6769](#) [CX050L2AQ](#) [7002-1541-010](#) [7002-1542-011](#) [7004-1512-000](#) [7009-1511-004](#) [7010-1511-000](#) [7029-1511-060](#) [7101-1541-010](#) [7101-1571-002](#) [7145-1521-002](#) [7203-1571-003](#) [7209-1511-011](#) [7210-1511-015](#) [7210-1511-019](#) [73137-5015](#) [73216-2241](#) [73404-2300](#) [7405-1521-005](#) [7405-1521-802](#) [8527](#) [8547](#) [FS11V](#) [877931](#) [8808-1511-001](#) [9049-9513-000](#) [9074-9513-000](#) [9101-9573-002](#) [910A205F](#) [9130-9573-002](#) [PL11SC-026](#) [PL375-33](#) [PL40-5](#) [PL74C-221](#) [PL75MC-217](#) [PL803-7](#) [1200690078](#) [1-201144-1](#) [R107003010W](#) [R110A172100](#)