

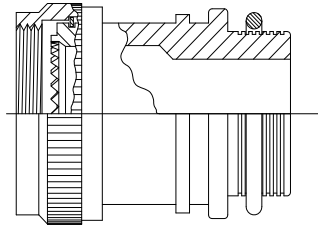
# CUSTOMER DRAWING

## KIT COMPONENTS:

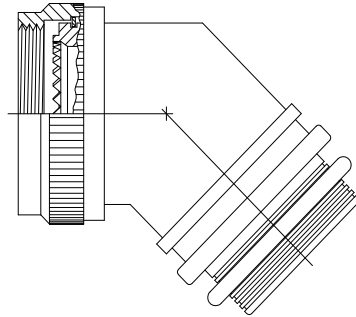
A standard kit shall contain 1 piece each: Adapter, Boot, SolderShield® Splice, Atum tubing (Kit description ends in "A" only)

1. ADAPTER (STRAIGHT, 45 OR 95 DEGREE). Refer to TXR (XX) Adapter drawings for details where (XX) = Adapter Code.

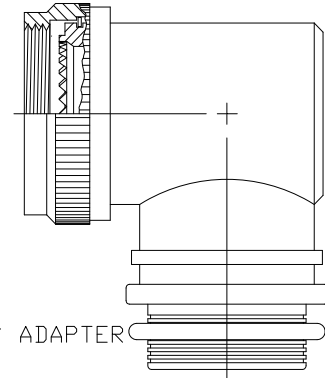
Available Adapter Codes (XX): 15, 18, 21, 30, 32, 40, 41, 54, 61



STRAIGHT ADAPTER

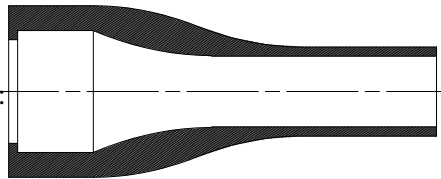


45° ADAPTER

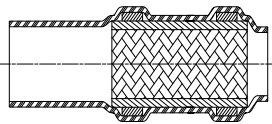


90° ADAPTER

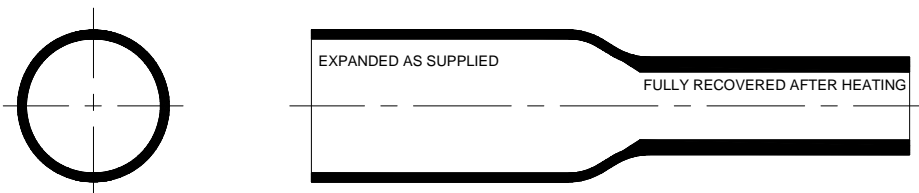
2. MOLDED BOOTS. Available Sizes: 13, 23, 34, 44, 56, 67.



3. SolderShield® SPLICES. Available Sizes: 00, 04, 05, 06, 07, 08, 09, 10, 11, 12, 13, 14, 16. Use code 00 when a non-pre-braided adapter is used. (Pre-Braided Code - 0).



4. SHIM TUBING. (KIT DESCRIPTIONS END WITH LETTER "A" ONLY)



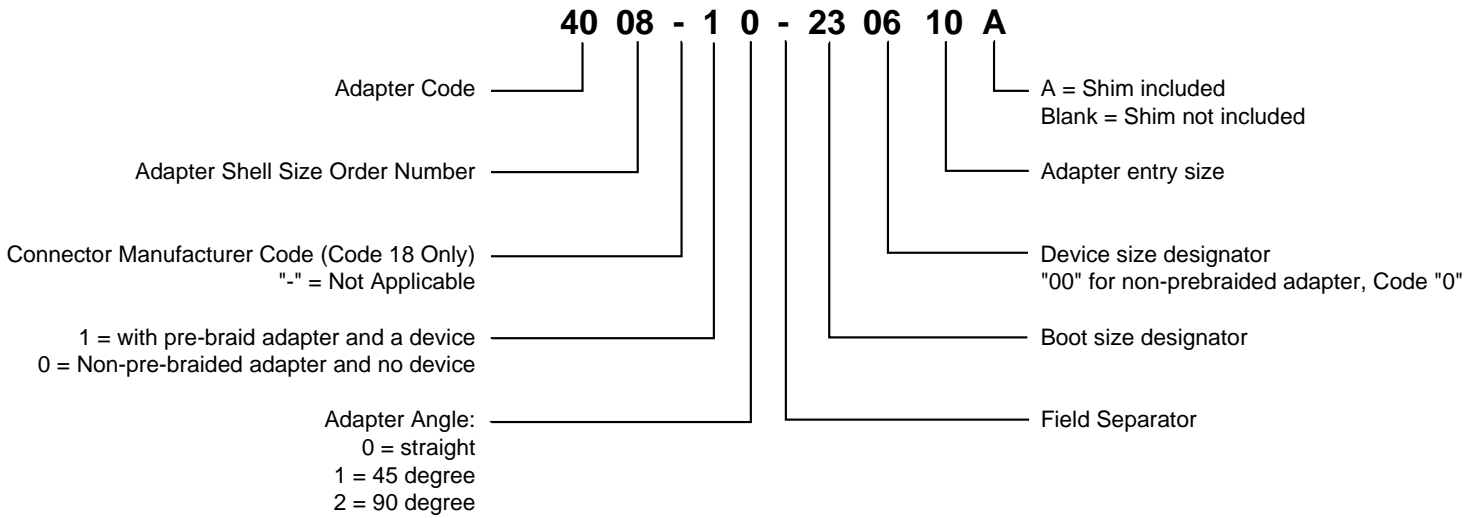
|   |   |  |   |                                   |                |
|---|---|--|---|-----------------------------------|----------------|
| <b>TE</b> TE Connectivity   |   |  | TITLE:<br><b>T-FIT ADAPTER AND MOLDED BOOT KITS</b> |                                   |                |
| Unless otherwise specified dimensions are in inches.<br>[Metric dimensions are shown in brackets] |   | Raychem<br>Devices   | DOCUMENT NO.:<br><b>T-FIT-2-12X</b>                 |                                   |                |
| TOLERANCES:<br>0.00 ± 0.02 MM<br>0.0 ± 0.2 MM<br>0 ± 0.5 MM                                       | ANGLES: ± 0°30'<br><br>ROUGHNESS<br>IN MICRON | Tyco Electronics Corporation reserves the right to amend this drawing at any time. Users should evaluate the suitability of the product for their application. | REV:<br><br><b>AN</b>                               | REV DATE:<br><br>January 18, 2018 |                |
| PREPARED BY:<br><i>YNGUYEN</i>  | CAGE CODE:<br>06090                           |  | ECO NUMBER:<br>ECO-18-000887                        | SCALE:<br><br>NTS                 | SIZE:<br><br>A |

© 2007-2018 TE Connectivity Corp. All Rights Reserved.

If this document is printed it becomes uncontrolled. Check for the latest revision.

# CUSTOMER DRAWING

## ADAPTER PART NUMBER KEY



Unless otherwise specified dimensions are in millimeters.  
(Inches dimensions are shown in brackets)

|                                     |            |                              |                      |                  |
|-------------------------------------|------------|------------------------------|----------------------|------------------|
| DOCUMENT NO.:<br><b>T-FIT-2-12X</b> | REV:<br>AN | ECO NUMBER:<br>ECO-18-000887 | DATE:<br>18-Jan-2018 | SHEET:<br>2 of 2 |
|-------------------------------------|------------|------------------------------|----------------------|------------------|

If this document is printed it becomes uncontrolled. Check for the latest revision.

## X-ON Electronics

Largest Supplier of Electrical and Electronic Components

*Click to view similar products for [Circular MIL Spec Strain Reliefs & Adapters](#) category:*

*Click to view products by [TE Connectivity](#) manufacturer:*

Other Similar products are found below :

[896227-000](#) [899170S004](#) [0113-023-000](#) [6000-063-0022](#) [CS6624-000](#) [620AB038Z136](#) [620AS001Z108](#) [620AS038Z112](#) [620AS038Z120](#)  
[620AS038Z132](#) [620FB038NF08](#) [620HA038NF09](#) [620HA038NF11](#) [620HA038NF13](#) [620HA038NF25](#) [620HB049NF17](#) [620HS038NF11](#)  
[620HS038Z121](#) [620HS042XM19](#) [620HS042XM25](#) [620HS048B17](#) [620MS064NF12](#) [620MS065Z107](#) [620MS065ZNU06](#) [627-123NF21-11](#)  
[627-125NF23-6](#) [630J041M06H](#) [630J041M20H](#) [637S010NF0212H](#) [637S010NF0416A](#) [640830-000](#) [659943-000](#) [66241-10A](#) [CW0597-000](#)  
[CW0598-000](#) [CW0948-000](#) [CY0122-000](#) [M85049/41-6A W/B](#) [M85049/42-12DS](#) [M85049/47N8](#) [M85049/51-1-14S](#) [M85049/51S16S](#)  
[M85049/60-1N16](#) [M85049/60-2G12W](#) [M85049/69-11N](#) [CZ3661-000](#) [D02922-000](#) [70.360.1628.0](#) [703797-000](#) [705825-000](#)