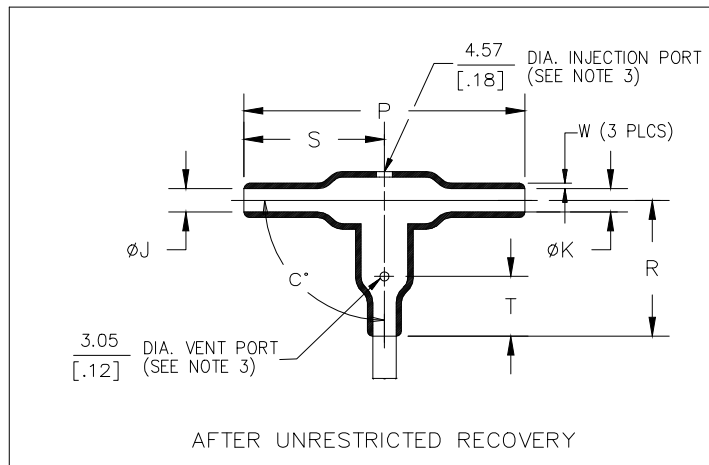
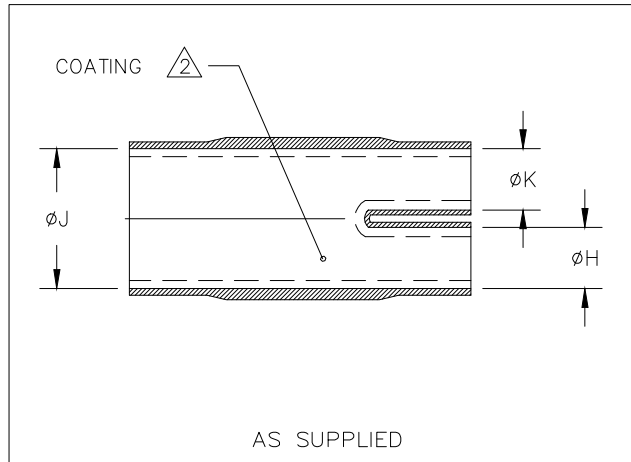


| REVISIONS |     |                  |           |     |      |
|-----------|-----|------------------|-----------|-----|------|
| P         | LTR | DESCRIPTION      | DATE      | DWN | APVD |
| V         |     | PRODUCTION ISSUE | 29JAN2019 | PNT | MT   |



| PART NUMBER | H, J & K              |                       | P                      | R                      | S                      | T                     | W                   | Weight<br>Nom<br>lb/[gms]<br>b |
|-------------|-----------------------|-----------------------|------------------------|------------------------|------------------------|-----------------------|---------------------|--------------------------------|
|             | Min<br>a              | Max<br>b              | $\pm 10\%$<br>b        | $\pm 10\%$<br>b        | $\pm 10\%$<br>b        | $\pm 10\%$<br>b       | $\pm 30\%$<br>b     |                                |
| 301A011     | $\frac{6.6}{[.26]}$   | $\frac{3.6}{[.14]}$   | $\frac{29.7}{[1.17]}$  | $\frac{14.7}{[.58]}$   | $\frac{15.1}{[.59]}$   | N/A                   | $\frac{1.0}{[.04]}$ | $\frac{0.9}{[.002]}$           |
| 301A022     | $\frac{13.2}{[.52]}$  | $\frac{6.9}{[.27]}$   | $\frac{58.7}{[2.31]}$  | $\frac{29.5}{[1.16]}$  | $\frac{29.5}{[1.16]}$  | $\frac{17.5}{[.69]}$  | $\frac{1.5}{[.06]}$ | $\frac{4.1}{[.009]}$           |
| 301A034     | $\frac{26.9}{[1.06]}$ | $\frac{13.5}{[.53]}$  | $\frac{120.1}{[4.73]}$ | $\frac{60.0}{[2.36]}$  | $\frac{60.2}{[2.37]}$  | $\frac{35.6}{[1.40]}$ | $\frac{2.3}{[.09]}$ | $\frac{31.3}{[.069]}$          |
| 301A048     | $\frac{55.6}{[2.19]}$ | $\frac{30.2}{[1.19]}$ | $\frac{246.4}{[9.70]}$ | $\frac{123.2}{[4.85]}$ | $\frac{123.2}{[4.85]}$ | $\frac{70.9}{[2.79]}$ | $\frac{3.0}{[.12]}$ | $\frac{253.1}{[.558]}$         |

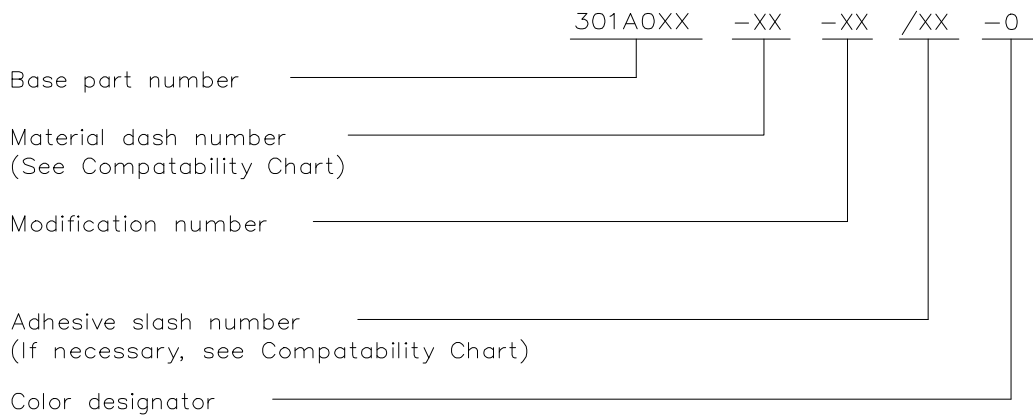
THIS DRAWING IS UNPUBLISHED. ALL RIGHTS RESERVED. COPYRIGHT - TE Connectivity Ltd.

|  |                      |                       |                        |               |                  |                                   |
|--|----------------------|-----------------------|------------------------|---------------|------------------|-----------------------------------|
| DIMENSIONS:<br>mm [INCHES]             | DWN                  | 29JAN2019             | MATERIAL               | SEE SHEET 2   | FINISH           | -                                 |
|  | CHK                  | 29JAN2019             | TE Connectivity Ltd.   |               |                  |                                   |
| TOLERANCES UNLESS OTHERWISE SPECIFIED: | APVD                 | 29JAN2019             |                        |               |                  |                                   |
|  | PRODUCT SPEC         | -                     | SIZE                   | CAGE CODE     | DRAWING NO       | RESTRICTED TO                     |
| 0 PLC $\pm -$                          | 1 PLC $\pm 0.50[.1]$ | 2 PLC $\pm 0.25[.01]$ | 3 PLC $\pm 0.13[.005]$ | 4 PLC $\pm -$ | ANGLES $\pm 1^*$ | WEIGHT<br>A4 00779 C-301A0XX-XX-0 |
| CUSTOMER DRAWING                       |                      |                       | SCALE                  | DNS           | SHEET            | 1 OF 2                            |
|  |                      |                       | REV                    |               | V                |                                   |

| REVISIONS |     |             |      |     |      |
|-----------|-----|-------------|------|-----|------|
| P         | LTR | DESCRIPTION | DATE | DWN | APVD |
|           | -   | SEE SHEET 1 | -    | -   | -    |

| COMPATABILITY CHART |                                   |         |                   |                   |
|---------------------|-----------------------------------|---------|-------------------|-------------------|
| MATERIAL DASH NO.   | MATERIAL DESCRIPTION              | RT SPEC | COATING SLASH NO. | COATING S NO.     |
| -3                  | Polyolefin, Semi-rigid            | RT-301  | /42;/86;/180      | S1017;S1048;S1030 |
| -4                  | Polyolefin, Flexible              | RT-1304 | /42;/86;/180      | S1017;S1048;S1030 |
| -12                 | Fluoroelastomer, Flexible         | RT-1312 | N/A               | N/A               |
| -25                 | Elastomer, Fluid Resistant        | RW-2070 | /42;/86;/225      | S1017;S1048;S1206 |
| -100                | Polyolefin, Simi-Flexible ZEROHAL | RW-2082 | /86;/180          | S1048;S1030       |

ORDERING INFORMATION

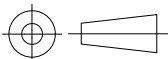


NOTES:

- Dimensions appearing in table are as follows:
  - a - As Supplied
  - b - After Unrestricted Recovery
- Coating is optional. As supplied dimensions appearing in table are for uncoated parts. When coating is added, entry diameters will be reduced by 1.5mm[.06]max.
- Molding ports are optional. When -00 modification number is specified molding ports will be located as shown.  
On size 301A011 the 3.05[.12] diameter vent port will be eliminated, and the 4.57[.18] diameter injection port will be decreased to  $\frac{2.29}{.09}$
- Weight appearing in table of dimensions is based on polyolefin part.

THIS DRAWING IS UNPUBLISHED. ALL RIGHTS RESERVED. TE Connectivity Ltd. COPYRIGHT

|  |                  |           |                      |              |              |               |       |
|--|------------------|-----------|----------------------|--------------|--------------|---------------|-------|
| DIMENSIONS:<br>mm [INCHES]   | DWN              | 29JAN2019 | MATERIAL             | -            | FINISH       | -             |       |
|  | CHK              | 29JAN2019 | TE Connectivity Ltd. |              |              |               |       |
| TOLERANCES UNLESS OTHERWISE SPECIFIED:   | APVD             | 29JAN2019 |                      |              |              |               |       |
| 0 PLC ± -<br>1 PLC ± 0.50[.1]<br>2 PLC ± 0.25[.01]<br>3 PLC ± 0.13[.005]<br>4 PLC ± -<br>ANGLES ± 1° | PRODUCT SPEC     | -         | NAME                 | TRANSITION,T |              |               |       |
|  | APPLICATION SPEC | -         | SIZE                 | CAGE CODE    | DRAWING NO   | RESTRICTED TO |       |
|  | WEIGHT           | -         | A4                   | 00779        | 301A0XX-XX-0 | -             |       |
| CUSTOMER DRAWING   |                  |           |                      | SCALE        | DNS          | SHEET 2 OF 2  | REV V |



## X-ON Electronics

Largest Supplier of Electrical and Electronic Components

*Click to view similar products for [Heat Shrink Cable Boots & End Caps](#) category:*

*Click to view products by [TE Connectivity](#) manufacturer:*

Other Similar products are found below :

[577159N001](#) [645494-000](#) [CX4132-000](#) [687025-000](#) [705331-000](#) [718446-000](#) [725666N001](#) [729257-000](#) [F27131-000](#) [F85868-000](#) [770-003S106W2](#) [770-013210W1](#) [770-013311](#) [770-013312](#) [806542N001](#) [807507-000](#) [808059-000](#) [808362-000](#) [808618-000](#) [809125-000](#) [809130-000](#) [809218-000](#) [812014-000](#) [812047-000](#) [813166-000](#) [813767N002](#) [814741-000](#) [819117N001](#) [823026-000](#) [823070-000](#) [825002-000](#) [841189N001](#) [861471-000](#) [866647-000](#) [879515-000](#) [937577-000](#) [957073-000](#) [982033-2](#) [A77813-000](#) [R280576000](#) [D96192-000](#) [163549-000](#) [MTPSRBCL-C](#) [1954015-1](#) [200W531-3-0](#) [202A163-4-0-CS5067](#) [202A343-3-00-0](#) [202B221-13-0](#) [202B231-13-0](#) [202B563-25-07-0](#)