

REVISIONS				
P	LTR	DESCRIPTION	DATE	APVD
V		PRODUCTION ISSUE	29JAN2019	PNT MT

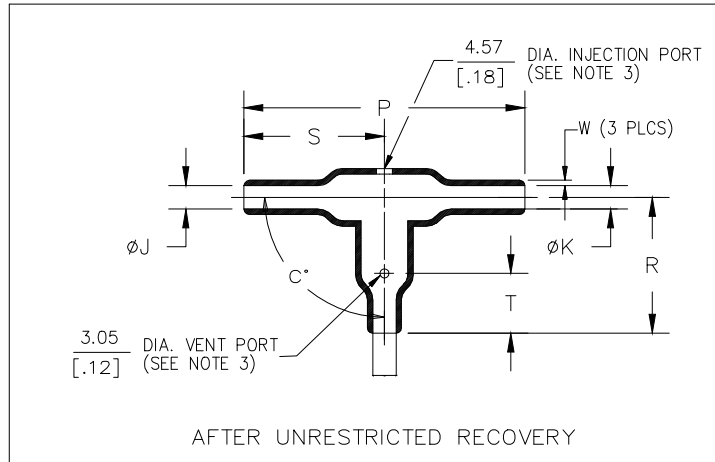
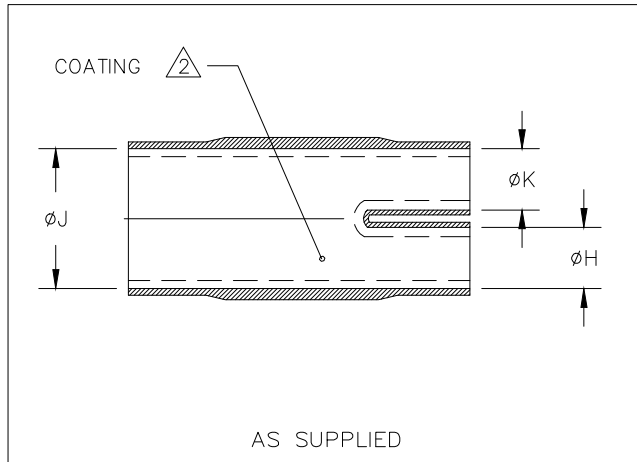
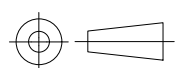


TABLE OF DIMENSIONS								
PART NUMBER	H, J & K		P	R	S	T	W	Weight Nom lb/[gms] b
	Min a	Max b	$\pm 10\%$ b	$\pm 10\%$ b	$\pm 10\%$ b	$\pm 10\%$ b	$\pm 30\%$ b	
301A011	$\frac{6.6}{[.26]}$	$\frac{3.6}{[.14]}$	$\frac{29.7}{[1.17]}$	$\frac{14.7}{[.58]}$	$\frac{15.1}{[.59]}$	N/A	$\frac{1.0}{[.04]}$	$\frac{0.9}{[.002]}$
301A022	$\frac{13.2}{[.52]}$	$\frac{6.9}{[.27]}$	$\frac{58.7}{[2.31]}$	$\frac{29.5}{[1.16]}$	$\frac{29.5}{[1.16]}$	$\frac{17.5}{[.69]}$	$\frac{1.5}{[.06]}$	$\frac{4.1}{[.009]}$
301A034	$\frac{26.9}{[1.06]}$	$\frac{13.5}{[.53]}$	$\frac{120.1}{[4.73]}$	$\frac{60.0}{[2.36]}$	$\frac{60.2}{[2.37]}$	$\frac{35.6}{[1.40]}$	$\frac{2.3}{[.09]}$	$\frac{31.3}{[.069]}$
301A048	$\frac{55.6}{[2.19]}$	$\frac{30.2}{[1.19]}$	$\frac{246.4}{[9.70]}$	$\frac{123.2}{[4.85]}$	$\frac{123.2}{[4.85]}$	$\frac{70.9}{[2.79]}$	$\frac{3.0}{[.12]}$	$\frac{253.1}{[.558]}$

THIS DRAWING IS UNPUBLISHED. ALL RIGHTS RESERVED. COPYRIGHT - TE Connectivity Ltd.

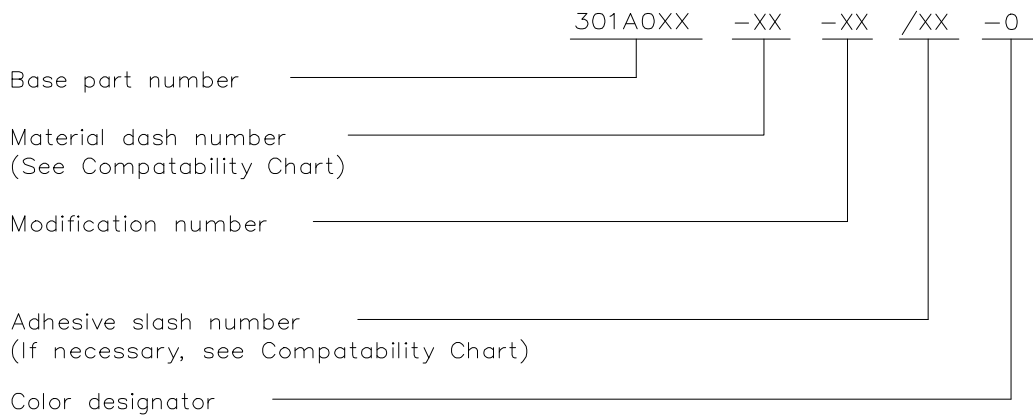
DIMENSIONS: mm [INCHES]	DWN PRAVEEN N T	29JAN2019	MATERIAL SEE SHEET 2	FINISH -
	CHK N NAGAR	29JAN2019	TE Connectivity Ltd.	
TOLERANCES UNLESS OTHERWISE SPECIFIED:	APVD M TAYLOR	29JAN2019		
	0 PLC $\pm -$	PRODUCT SPEC -	SIZE A4	
1 PLC $\pm 0.50[.1]$	APPLICATION SPEC -	CAGE CODE 00779	DRAWING NO C-301A0XX-XX-0	RESTRICTED TO -
2 PLC $\pm 0.25[.01]$	WEIGHT	CUSTOMER DRAWING		
3 PLC $\pm 0.13[.005]$		SCALE DNS	SHEET 1 OF 2	REV V
4 PLC $\pm -$				
ANGLES $\pm 1^\circ$				



REVISIONS					
P	LTR	DESCRIPTION	DATE	DWN	APVD
	-	SEE SHEET 1	-	-	-

COMPATABILITY CHART				
MATERIAL DASH NO.	MATERIAL DESCRIPTION	RT SPEC	COATING SLASH NO.	COATING S NO.
-3	Polyolefin, Semi-rigid	RT-301	/42;/86;/180	S1017;S1048;S1030
-4	Polyolefin, Flexible	RT-1304	/42;/86;/180	S1017;S1048;S1030
-12	Fluoroelastomer, Flexible	RT-1312	N/A	N/A
-25	Elastomer, Fluid Resistant	RW-2070	/42;/86;/225	S1017;S1048;S1206
-100	Polyolefin, Simi-Flexible ZEROHAL	RW-2082	/86;/180	S1048;S1030

ORDERING INFORMATION

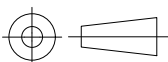


NOTES:

- Dimensions appearing in table are as follows:
  - a - As Supplied
  - b - After Unrestricted Recovery
- Coating is optional. As supplied dimensions appearing in table are for uncoated parts. When coating is added, entry diameters will be reduced by 1.5mm[.06]max.
- Molding ports are optional. When -00 modification number is specified molding ports will be located as shown.  
On size 301A011 the 3.05[.12] diameter vent port will be eliminated, and the 4.57[.18] diameter injection port will be decreased to  $\frac{2.29}{.09}$
- Weight appearing in table of dimensions is based on polyolefin part.

THIS DRAWING IS UNPUBLISHED. ALL RIGHTS RESERVED. TE Connectivity Ltd. COPYRIGHT

DIMENSIONS: mm [INCHES]	DWN PRAVEEN N T 29JAN2019	MATERIAL -	FINISH -
	CHK N NAGAR 29JAN2019	TE Connectivity Ltd.	
TOLERANCES UNLESS OTHERWISE SPECIFIED:	APVD M TAYLOR 29JAN2019		
0 PLC ± -	PRODUCT SPEC -	SIZE A4	RESTRICTED TO -
1 PLC ± 0.50[.1]	APPLICATION SPEC -	CAGE CODE 00779	DRAWING NO 301A0XX-XX-0
2 PLC ± 0.25[.01]	WEIGHT	DRAWING NO	
3 PLC ± 0.13[.005]		SCALE DNS	SHEET 2 OF 2
4 PLC ± -		CUSTOMER DRAWING	REV V
ANGLES ± 1°			



## X-ON Electronics

Largest Supplier of Electrical and Electronic Components

*Click to view similar products for [Heat Shrink Cable Boots & End Caps](#) category:*

*Click to view products by [TE Connectivity](#) manufacturer:*

Other Similar products are found below :

[577159N001](#) [645494-000](#) [CX4132-000](#) [687025-000](#) [705331-000](#) [718446-000](#) [725666N001](#) [729257-000](#) [F27131-000](#) [F85868-000](#) [770-003S106W2](#) [806542N001](#) [807507-000](#) [808059-000](#) [808362-000](#) [808618-000](#) [809125-000](#) [809130-000](#) [809218-000](#) [812014-000](#) [812047-000](#) [813166-000](#) [813767N002](#) [814741-000](#) [819117N001](#) [823026-000](#) [823070-000](#) [825002-000](#) [841189N001](#) [861471-000](#) [866647-000](#) [879515-000](#) [937577-000](#) [957073-000](#) [982033-2](#) [A77813-000](#) [R280576000](#) [D96192-000](#) [163549-000](#) [MTPSRBCL-C](#) [1954015-1](#) [200W531-3-0](#) [202A163-4-0-CS5067](#) [202A343-3-00-0](#) [202B221-13-0](#) [202B231-13-0](#) [202B563-25-07-0](#) [202C241-13-0](#) [202D121-4-01/86-0](#) [202D132-4-07/42-0](#)