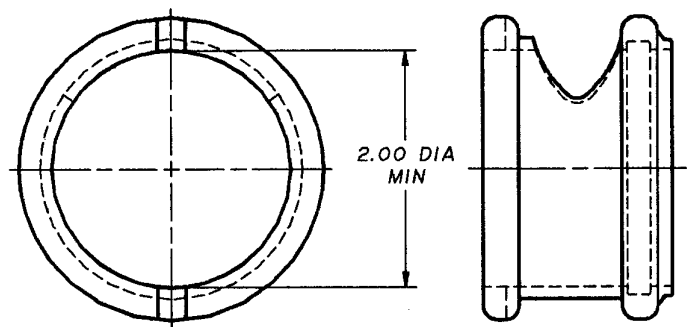
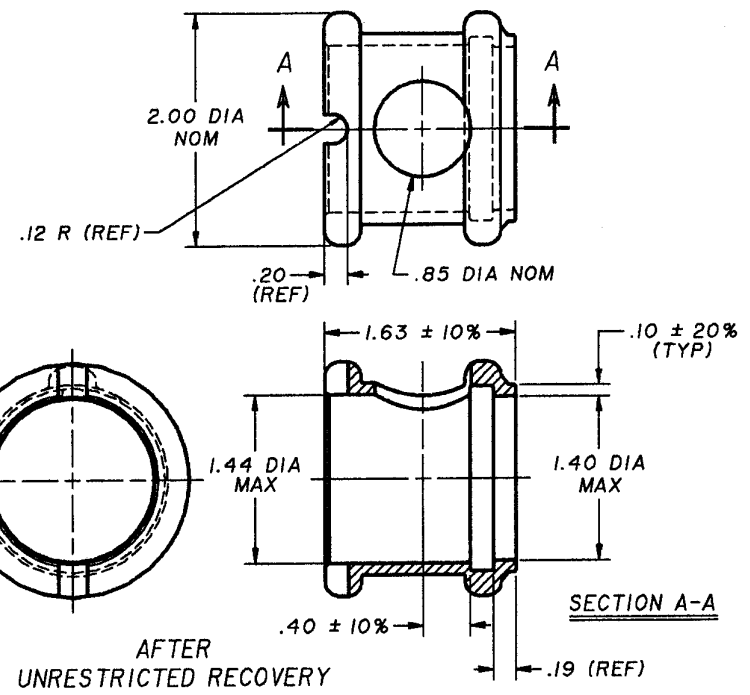


REVISIONS			
LTR	DESCRIPTION	DATE	APPROVED



AS SUPPLIED

ORDERING INFORMATION: 303A021 - 4  
 Base part number \_\_\_\_\_  
 Material dash number \_\_\_\_\_



AFTER UNRESTRICTED RECOVERY

LIMITED DISTRIBUTION SPECIFICATION CONTROL DRAWING

DASH NO.	MATERIAL DESCRIPTION	RT SPEC	THIS DRAWING AND THE INFORMATION SET FORTH HEREON ARE THE PROPERTY OF RAYCHEM CORPORATION AND ARE TO BE HELD IN TRUST AND CONFIDENCE. PUBLICATION, DUPLICATION, DISCLOSURE, OR USE FOR ANY PURPOSE NOT EXPRESSLY AUTHORIZED IN WRITING BY RAYCHEM CORPORATION IS PROHIBITED.	DRAWN	C. WARREN	<b>Raychem</b> RAYCHEM CORPORATION 300 CONSTITUTION DRIVE MENLO PARK, CALIFORNIA 94025
-4	Polyolefin, flexible	RT-1304		CHECKED	SJT	
-49	E.P.R., flexible	RT-1320		DSGN APPD	S. Warren 10/8-87	CONNECTOR BOOT
				MFG APPD	Sub 10/10/87	CODE IDENT.
				QC APPD	J. Way 1/3/87	DWG. NO.
			MKTG APPD	1/10/87	NO. 08090	303A021
			TECH SERVICE	J. Kuster 1/8/87	PROJECT	M-202-73
			DO NOT SCALE THIS DRAWING		DATE	01/07/87
					SCALE	SHEET 1 OF 1

## X-ON Electronics

Largest Supplier of Electrical and Electronic Components

*Click to view similar products for [Heat Shrink Tubing and Sleeves](#) category:*

*Click to view products by [TE Connectivity](#) manufacturer:*

Other Similar products are found below :

[5685710001](#) [CR9960-000](#) [5734012004](#) [607381P039](#) [611112-000](#) [6284592002](#) [CX4711-000](#) [CZ1420-000](#) [D-306-38](#) [770-006S302](#) [770-020S705](#) [MFP-3/64"-Clear](#) [790-3012](#) [MHHT-4-15K2-G-104](#) [8003012003](#) [MIL-LT-1-1/2-4-SP](#) [MIL-LT-1-1/2-9-STK](#) [MIL-LT-1/2-2-STK](#) [MIL-LT-3-0-SP](#) [MIL-LT-3/32-0-SP](#) [MIL-LT-3/32-6-SP](#) [MIL-LT-3/4-4-STK](#) [MIL-LT-3/4-6-SP](#) [839602-000](#) [8423-6](#) [FP301-116-48"-Clear](#) [FP301-12-6"-Clear](#) [FP301-1/4-48"-White-Hdr](#) [FP301-18-48"-Black-Hdr](#) [FP301-1/8-6"-Black](#) [FP301-18-6"-Black-Bulk](#) [FP301-316-48"-Blue-Hdr](#) [912229N002](#) [R280637030](#) [HDCW-5515-1000](#) [HDT-0300-48A-BLACK](#) [HDT-0400-48A-Black](#) [HDT-0800-48A-RED](#) [HDT1100-48A-BLK](#) [HDT1500-48A-BLK](#) [HDT-2000-48A-Black](#) [RHW-70/20-1200/ADH-0](#) [DWP-125-0.450-4-55MM-CS879](#) [156082-000](#) [MT5500-3/8-X-SP](#) [MT-FEP-045-032-008-X-60IN](#) [EPS200-1/4-48"-Black](#) [EPS200-1-48"-Black](#) [EPS200-3/16-48"-Black](#) [EPS200-38-48"-Black-Bulk](#)