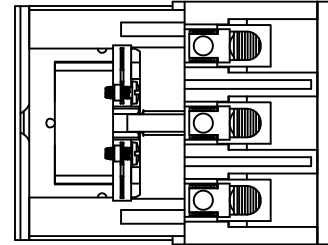


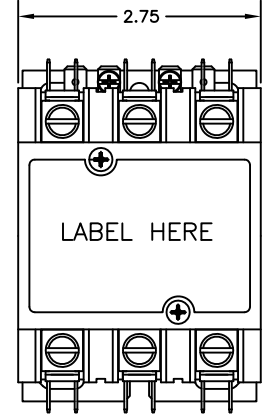
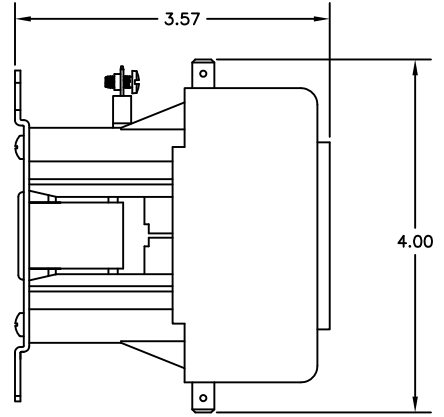
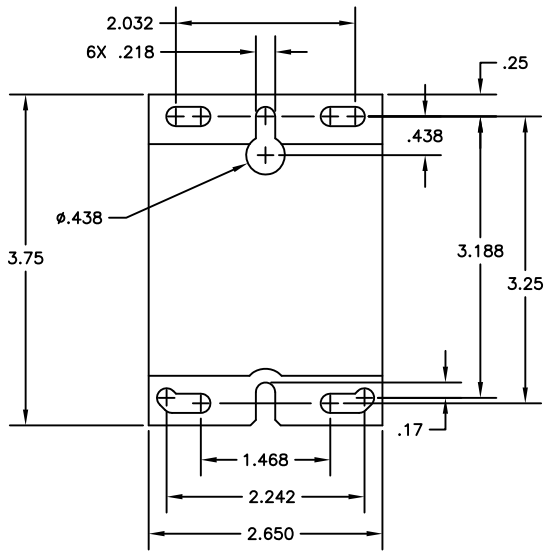
THIS DRAWING IS UNPUBLISHED. RELEASED FOR PUBLICATION  
 © COPYRIGHT - By - ALL RIGHTS RESERVED.

REVISIONS							
LOC	DIST	P	LTR	DESCRIPTION	DATE	DRW	APVD
-	-	A		ECR-11-013163	22JUN11	DH	HT



L1	L2	L3	
3100-30117999CJ			
MODEL 93			
RES PER POLE	VOLTS	1 PH 3 PH FLA LRA	
75 AMP	120	5HP	herm. refrig. comp.
800VAC	208	20HP	
	240	10HP 25HP 60 360	
	480	30HP 60 300	
	600	30HP 60 240	
EN 60947-4-1			
RECOMMENDED TIGHTENING TORQUE OF 50 IN-LBS FOR 75°C			
COIL 24 VAC			
50/60 HZ			
TECO Electronics			
BREAK ALL LINES ABOVE 240V (DATE)			
ASM. IN MEXICO			
T1	T2	T3	

LABEL B1286-378  
 VIEW ENLARGED FOR CLARITY



THIS DRAWING IS A CONTROLLED DOCUMENT.

DIMENSIONS:	TOLERANCES UNLESS OTHERWISE SPECIFIED: (REF. ONLY)
INCHES	0 PLC ± -
	1 PLC ± -
	2 PLC ± .03
	3 PLC ± .010
	4 PLC ± -
	ANGLES ± -

TE PART NUMBER	UL FILE #	CSA FILE #																																						
4-1611022-8	E75492	LR49598																																						
<table border="1"> <tr> <td>DRW</td> <td>22JUN2011</td> <td rowspan="2"> </td> <td rowspan="2">TE Connectivity</td> </tr> <tr> <td>CHK</td> <td>-</td> </tr> <tr> <td>APVD</td> <td>22JUN2011</td> <td colspan="2">NAME</td> </tr> <tr> <td colspan="2">PRODUCT SPEC</td> <td colspan="2">CONTACTOR OUTLINE 3P 60 FLA WITH 24 VAC COIL</td> </tr> <tr> <td colspan="2">APPLICATION SPEC</td> <td colspan="2">RESTRICTED TO</td> </tr> <tr> <td>SIZE</td> <td>CAGE CODE</td> <td>DRAWING NO</td> <td></td> </tr> <tr> <td>A2</td> <td>00779</td> <td>3100-30117999CJ</td> <td></td> </tr> <tr> <td colspan="2">CUSTOMER DRAWING</td> <td>SCALE</td> <td>N/A</td> </tr> <tr> <td colspan="2"></td> <td>SHEET</td> <td>1 of 1</td> </tr> <tr> <td colspan="2"></td> <td>REV</td> <td>A</td> </tr> </table>			DRW	22JUN2011		TE Connectivity	CHK	-	APVD	22JUN2011	NAME		PRODUCT SPEC		CONTACTOR OUTLINE 3P 60 FLA WITH 24 VAC COIL		APPLICATION SPEC		RESTRICTED TO		SIZE	CAGE CODE	DRAWING NO		A2	00779	3100-30117999CJ		CUSTOMER DRAWING		SCALE	N/A			SHEET	1 of 1			REV	A
DRW	22JUN2011		TE Connectivity																																					
CHK	-																																							
APVD	22JUN2011	NAME																																						
PRODUCT SPEC		CONTACTOR OUTLINE 3P 60 FLA WITH 24 VAC COIL																																						
APPLICATION SPEC		RESTRICTED TO																																						
SIZE	CAGE CODE	DRAWING NO																																						
A2	00779	3100-30117999CJ																																						
CUSTOMER DRAWING		SCALE	N/A																																					
		SHEET	1 of 1																																					
		REV	A																																					

## X-ON Electronics

Largest Supplier of Electrical and Electronic Components

*Click to view similar products for* [Contactors - Electromechanical category:](#)

*Click to view products by* [TE Connectivity manufacturer:](#)

Other Similar products are found below :

[6-1618400-7](#) [686-117111](#) [686-120111](#) [686-924](#) [686-948](#) [70-901](#) [70-914](#) [MB-3D-6](#) [MC-22A/4-AC120V](#) [8-1616943-9](#) [8-1672124-5](#)  
[A40-30-10-84](#) [120-905](#) [A701U](#) [120-904](#) [1393132-9](#) [154-905](#) [154-912](#) [154-913](#) [154-915](#) [154-902](#) [154-910](#) [AVR743D](#) [B6-40-00-84](#) [B7-40-00-84](#) [1616017-5](#) [1616021-1](#) [MVDILM](#) [HP-11D-24](#) [P25-E5019-1](#) [P30C47A12D1-120](#) [P40C47A12D1-120](#) [P40P47D13P1-24-01](#) [CA7-12-10-240](#) [CA7-72-00-24Z](#) [90-162](#) [9-1393132-2](#) [2NC4F0222](#) [A275KXXV2-120VAC](#) [ACC338UMM20](#) [AF80-30-11-13](#) [SZ-B1](#) [CGC-9A-120](#) [3GC2H0M22](#) [3NC0T0A22](#) [3NC1Q0A22](#) [3NC2H0A22](#) [3NC2T0122/SE](#) [3TF3400-0BB4](#) [MC-12B-DC24V](#)