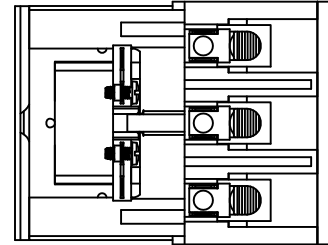


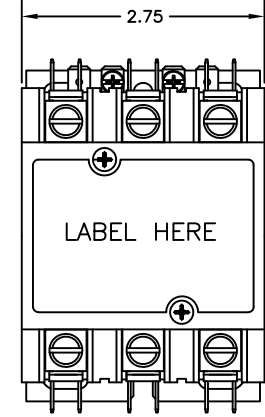
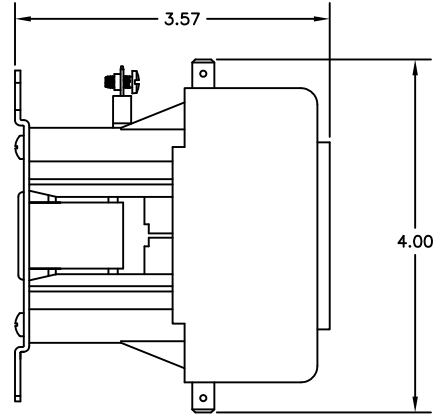
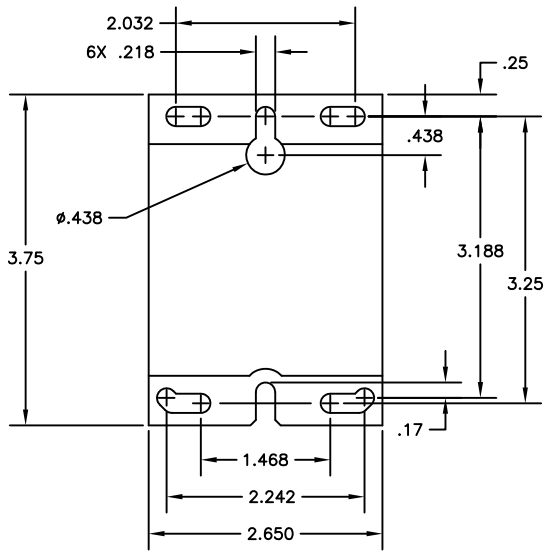
THIS DRAWING IS UNPUBLISHED. RELEASED FOR PUBLICATION
 © COPYRIGHT - By - ALL RIGHTS RESERVED.

REVISIONS							
LOC	DIST	P	LTR	DESCRIPTION	DATE	DRW	APPD
-	-	A		ECR-11-013163	22JUN11	DH	HT



L1	L2	L3	
3100-30J17999CJ			
MODEL 93			
RES PER POLE	VOLTS	1 PH 3 PH FLA LRA	
75 AMP	120	5HP	herm. refrig. comp.
800VAC	208	20HP	
	240	10HP 25HP 60 360	
	480	30HP 60 300	
	600	30HP 60 240	
EN 60947-4-1			
RECOMMENDED TIGHTENING TORQUE OF 50 IN-LBS FOR 75°C			
COIL 120 VAC AG1-75A/AG3-60A			
50/60 HZ BREAK ALL LINES ABOVE 240V (DATE)			
Tyco Electronics ASM. IN MEXICO			
T1	T2	T3	

LABEL B1286-379
 VIEW ENLARGED FOR CLARITY



THIS DRAWING IS A CONTROLLED DOCUMENT.

DIMENSIONS:	TOLERANCES UNLESS OTHERWISE SPECIFIED: (REF. ONLY)
INCHES	0 PLC ± -
	1 PLC ± -
	2 PLC ± .03
	3 PLC ± .010
	4 PLC ± -
	ANGLES ± -

TE PART NUMBER	UL FILE #	CSA FILE #
4-1611022-9	E75492	LR49598
DRW	22JUN2011	
DH		
CHK		
TE TE Connectivity		
APPD	22JUN2011	NAME
HT		
PRODUCT SPEC		
CONTACTOR OUTLINE 3P 60 FLA WITH 120 VAC COIL		
APPLICATION SPEC		
SIZE	CAGE CODE	DRAWING NO
A2	00779	3100-30J17999CJ
RESTRICTED TO		
CUSTOMER DRAWING	SCALE	NTS SHEET 1 of 1 REV A

X-ON Electronics

Largest Supplier of Electrical and Electronic Components

Click to view similar products for [Contactors - Electromechanical category:](#)

Click to view products by [TE Connectivity manufacturer:](#)

Other Similar products are found below :

[6-1618400-7](#) [686-117111](#) [686-120111](#) [686-924](#) [686-948](#) [70-901](#) [70-914](#) [MB-3D-6](#) [MC-22A/4-AC120V](#) [8-1616943-9](#) [8-1672124-5](#)
[A40-30-10-84](#) [120-905](#) [A701U](#) [120-904](#) [1393132-9](#) [154-905](#) [154-912](#) [154-913](#) [154-915](#) [154-902](#) [154-910](#) [AVR743D](#) [B6-40-00-84](#) [B7-40-00-84](#) [1616017-5](#) [1616021-1](#) [MVDILM](#) [HP-11D-24](#) [P25-E5019-1](#) [P30C47A12D1-120](#) [P40C47A12D1-120](#) [P40P47D13P1-24-01](#) [CA7-12-10-240](#) [CA7-72-00-24Z](#) [90-162](#) [9-1393132-2](#) [2NC4F0222](#) [A275KXXV2-120VAC](#) [ACC338UMM20](#) [AF80-30-11-13](#) [SZ-B1](#) [CGC-9A-120](#) [3GC2H0M22](#) [3NC0T0A22](#) [3NC1Q0A22](#) [3NC2H0A22](#) [3NC2T0122/SE](#) [3TF3400-0BB4](#) [MC-12B-DC24V](#)