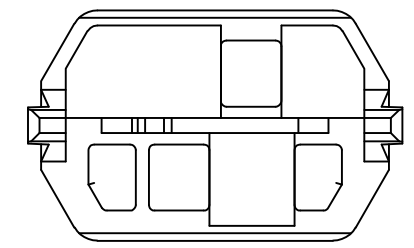
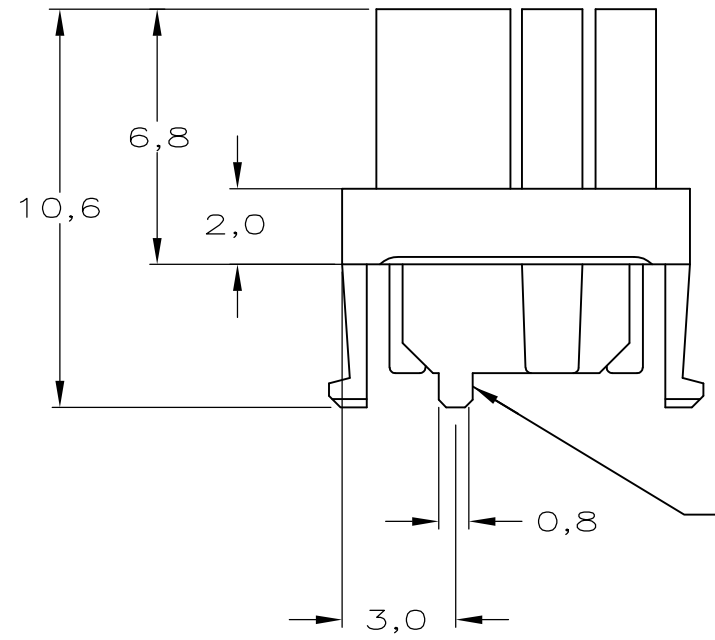
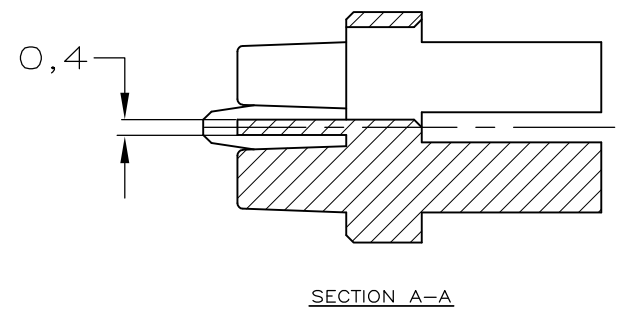
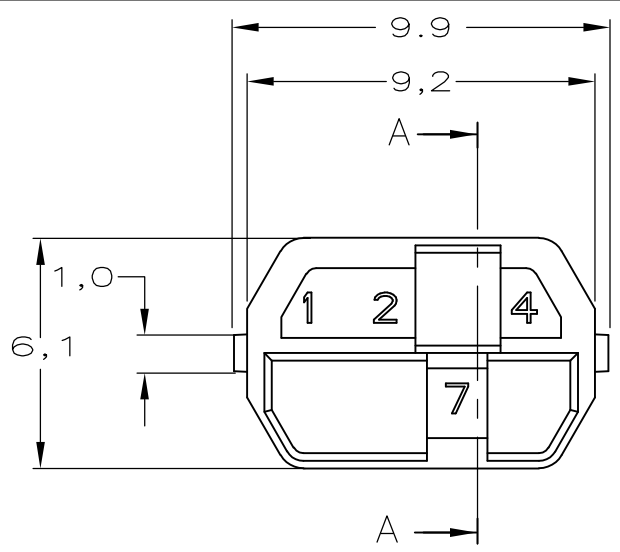


THIS DRAWING IS UNPUBLISHED. RELEASED FOR PUBLICATION
 © COPYRIGHT - By - ALL RIGHTS RESERVED.

| LOC | DIST | REVISIONS | | | | | |
|-----|------|-----------|-----|---------------------------|---------|-----|------|
| | | P | LTR | DESCRIPTION | DATE | DWN | APVD |
| - | - | D1 | | REVISED PER ECO-11-005030 | 11MAR11 | RK | HMR |



| Part No. | Colour | RAL NR. | ID. NUMBER | Partnumber |
|------------|----------------|---------|------------|------------|
| 6-100525-3 | PASTEL ORANGE | 2003 | 1247 | 6-100526-3 |
| 6-100525-1 | STEEL BLUE | 5011 | 1256 | 6-100526-1 |
| 5-100525-9 | SLATE GREY | 7015 | 1258 | 5-100526-9 |
| 5-100525-6 | CADMIUM YELLOW | 1021 | 1278 | 5-100526-6 |
| 5-100525-4 | RESADA GREEN | 6011 | 1346 | 5-100526-4 |
| 3-100525-2 | BRILLIANT BLUE | 5007 | 2348 | 3-100526-2 |
| 100525-9 | STRAWBERRY RED | 3018 | 3567 | 100526-9 |
| 100525-3 | NUT BROWN | 8011 | 4578 | 100526-3 |
| MALE KEY | COLOUR | RAL NR. | ID. NUMBER | PARTNUMBER |

NOTES:

- ① DRAWING SHOWS CODING KEY 6-100526-3 WITH CODE NUMBER 1247 AS AN EXAMPLE. REINFORCED CODING KEYS ARE DESIGNED FOR THE 8 ROW CONNECTOR SYSTEM, BUT FIT THE 5 ROW CONNECTOR SYSTEM AS WELL.
- ② DRAWING SHOWS CODING KEY 2-100526-4 WITH CODE NUMBER 2457 AS AN EXAMPLE.
- ③ MATERIAL: GLASSFILLED POLYAMIDE 6.6.; COLOUR: SEE TABLE.
- ④ EACH CODING KEY HAS FOUR BLOCKING PINS AND FOUR CAVITIES. THE NUMBERS ON TOP OF THE BLOCKING PINS FORM THE FOUR-FIGURE IDENTIFICATION NUMBER (ASCENDING).
- ⑤ PARTNUMBER MATCHING FEMALE CODING KEY, FOR REFERENCE ONLY.

THIS DRAWING IS A CONTROLLED DOCUMENT.

| | |
|----------------|--|
| DIMENSIONS: mm | TOLERANCES UNLESS OTHERWISE SPECIFIED: |
| | 0 PLC ± - |
| | 1 PLC ± - |
| | 2 PLC ± - |
| | 3 PLC ± - |
| | 4 PLC ± - |
| | ANGLES ± - |
| MATERIAL | FINISH |
| - | - |

| | | |
|------------------|-------------------|-----------|
| DWN | RvHEUVEN | 08-MAY-98 |
| CHK | D. TRUREN | 08-MAY-98 |
| APVD | F.v.KONINGSBRUGGE | - |
| PRODUCT SPEC | - | - |
| APPLICATION SPEC | - | - |
| WEIGHT | - | - |



Z-PACK 2mm HM FEMALE CODING KEYS

| | | | |
|------------------|-----------|------------|---------------|
| SIZE | CAGE CODE | DRAWING NO | RESTRICTED TO |
| A3 | 00779 | C-100526 | - |
| CUSTOMER DRAWING | | SCALE | SHEET 1 OF 2 |
| | | | REV D1 |

THIS DRAWING IS UNPUBLISHED. RELEASED FOR PUBLICATION
 © COPYRIGHT - By - ALL RIGHTS RESERVED.

| LOC | DIST | REVISIONS | | | | | |
|-----|------|-----------|-----|-------------|------|-----|------|
| | | P | LTR | DESCRIPTION | DATE | DWN | APVD |
| - | - | - | - | SEE SHEET1 | - | - | - |



| MALE KEY | COLOUR | RAL NR. | ID. NUMBER | PARTNUMBER |
|------------|------------------|---------|------------|------------|
| - | - | - | - | - |
| - | - | - | - | - |
| - | - | - | - | - |
| - | - | - | - | - |
| - | - | - | - | - |
| - | - | - | - | - |
| - | - | - | - | - |
| - | - | - | - | - |
| - | - | - | - | - |
| 6-100525-9 | OCHER YELLOW | 1024 | 1235 | 6-100526-9 |
| 6-100525-4 | RASPBERRY RED | 3027 | 1246 | 6-100526-4 |
| 5-100525-3 | OCEAN BLUE | 5020 | 1347 | 5-100526-3 |
| 5-100525-2 | EMERALD GREEN | 6001 | 1348 | 5-100526-2 |
| 4-100525-9 | YELLOW ORANGE | 2000 | 1358 | 4-100526-9 |
| 4-100525-8 | HEATHER VIOLET | 4003 | 1367 | 4-100526-8 |
| 4-100525-4 | COPPER BROWN | 8004 | 1457 | 4-100526-4 |
| 4-100525-3 | STONE GREY | 7030 | 1458 | 4-100526-3 |
| 3-100525-7 | PURPLE RED | 3004 | 1578 | 3-100526-7 |
| 3-100525-5 | SALMON PINK | 3022 | 2345 | 3-100526-5 |
| 3-100525-4 | RED LILAC | 4001 | 2346 | 3-100526-4 |
| 2-100525-7 | LIGHT IVORY | 1015 | 2368 | 2-100526-7 |
| 2-100525-6 | PASTEL GREEN | 6019 | 2378 | 2-100526-6 |
| 2-100525-4 | YELLOW GREEN | 6018 | 2457 | 2-100526-4 |
| 2-100525-0 | BLUE LILAC | 4005 | 2478 | 2-100526-0 |
| 1-100525-8 | PIGEON BLUE | 5014 | 2568 | 1-100526-8 |
| 1-100525-4 | OLIVE YELLOW | 1020 | 3457 | 1-100526-4 |
| 1-100525-3 | CEMENT GREY | 7033 | 3458 | 1-100526-3 |
| 1-100525-2 | LIGHT GREEN | 6027 | 3467 | 1-100526-2 |
| 100525-8 | PURE ORANGE | 2004 | 3568 | 100526-8 |
| 100525-5 | ULTRAMARINE BLUE | 5002 | 4567 | 100526-5 |
| 100525-2 | GREEN BROWN | 8000 | 4678 | 100526-2 |

THIS DRAWING IS A CONTROLLED DOCUMENT.

| | | | |
|----------------|---|---|---|
| DIMENSIONS: mm | TOLERANCES UNLESS OTHERWISE SPECIFIED: | DWN D. TRUREN 03-FEB-98 | TE Connectivity |
| | 0 PLC ± - 1 PLC ± - 2 PLC ± - 3 PLC ± - 4 PLC ± - ANGLES ± - | CHK D. TRUREN 03-FEB-98 APVD F.v.KONINGSBRUGGE PRODUCT SPEC - APPLICATION SPEC - WEIGHT - | |
| MATERIAL - | FINISH - | CUSTOMER DRAWING | SIZE A3 CAGE CODE 00779 DRAWING NO C-100526 RESTRICTED TO - SCALE - SHEET 2 OF 2 REV D1 |

X-ON Electronics

Largest Supplier of Electrical and Electronic Components

Click to view similar products for [Hard Metric Connectors](#) category:

Click to view products by [TE Connectivity](#) manufacturer:

Other Similar products are found below :

[6345127-1](#) [646916-9](#) [6469658-1](#) [973108](#) [1-2000713-0](#) [1-2000713-2](#) [1-2000713-3](#) [1645343-1](#) [1645456-1](#) [1645594-1](#) [1645595-1](#) [1645601-1](#)
[1934822-1](#) [278071110010833](#) [1645179-1](#) [1645245-1](#) [1645457-1](#) [1645525-1](#) [1645570-1](#) [1645596-1](#) [17041102202](#) [1857470-1](#) [1934275-1](#)
[1934289-1](#) [1934759-1](#) [2000673-1](#) [2170292-2](#) [2-536642-6](#) [3-106015-1](#) [352188-1](#) [352629-1](#) [5120823-1](#) [5120899-1](#) [3-100145-0](#) [3-100147-0](#)
[3-100669-1](#) [3-106081-0](#) [HM2DK2368PLF](#) [5646530-1](#) [3-352049-0](#) [3-352069-0](#) [3-352115-0](#) [3-352638-0](#) [352189-1](#) [3-646357-0](#) [3-646487-0](#)
[3-646513-0](#) [106726-1](#) [114352](#) [114619](#)