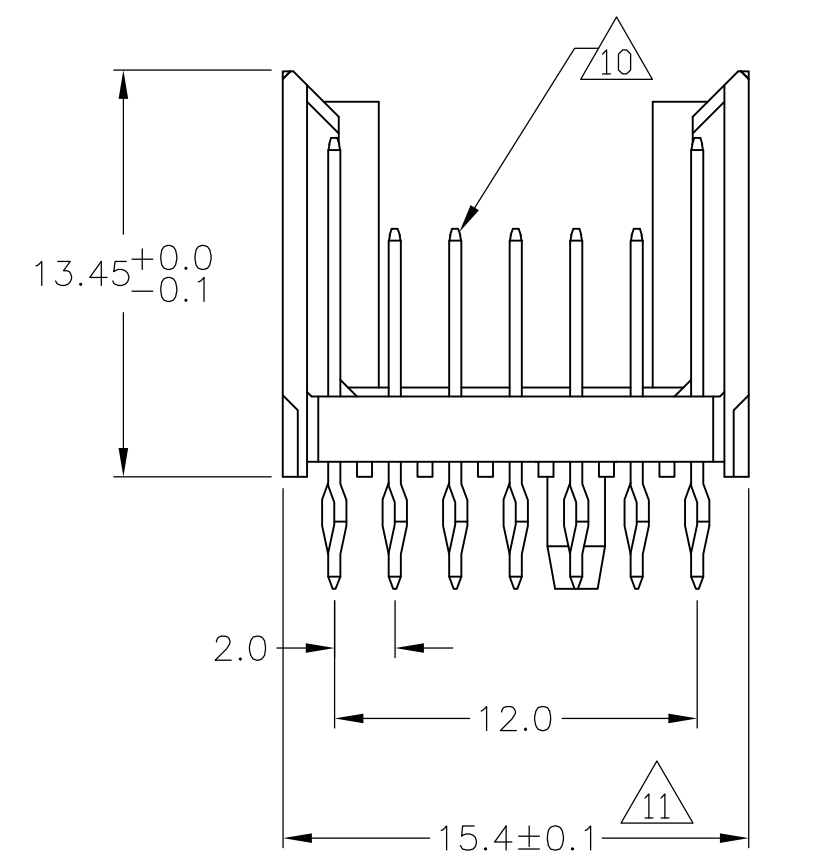
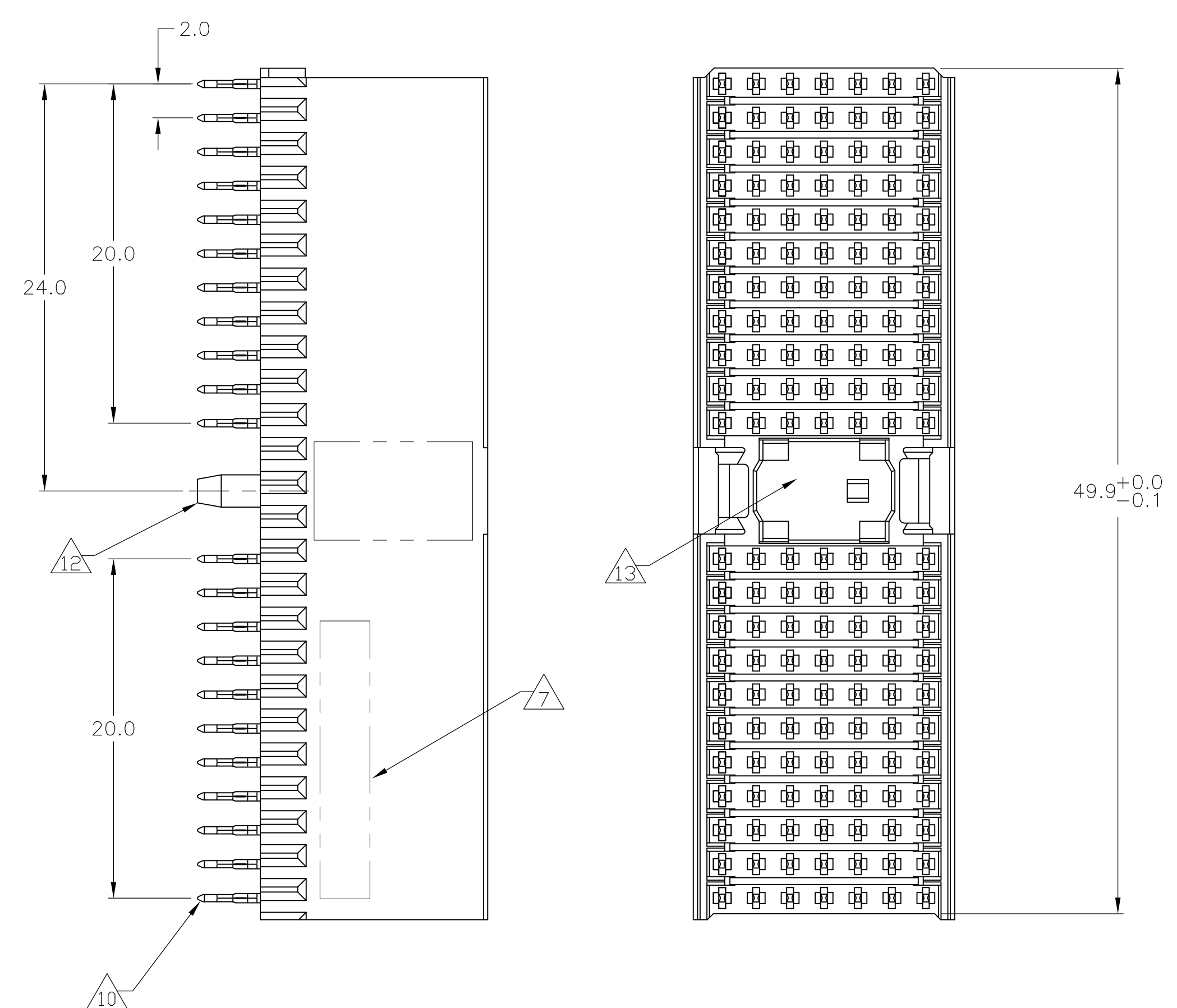
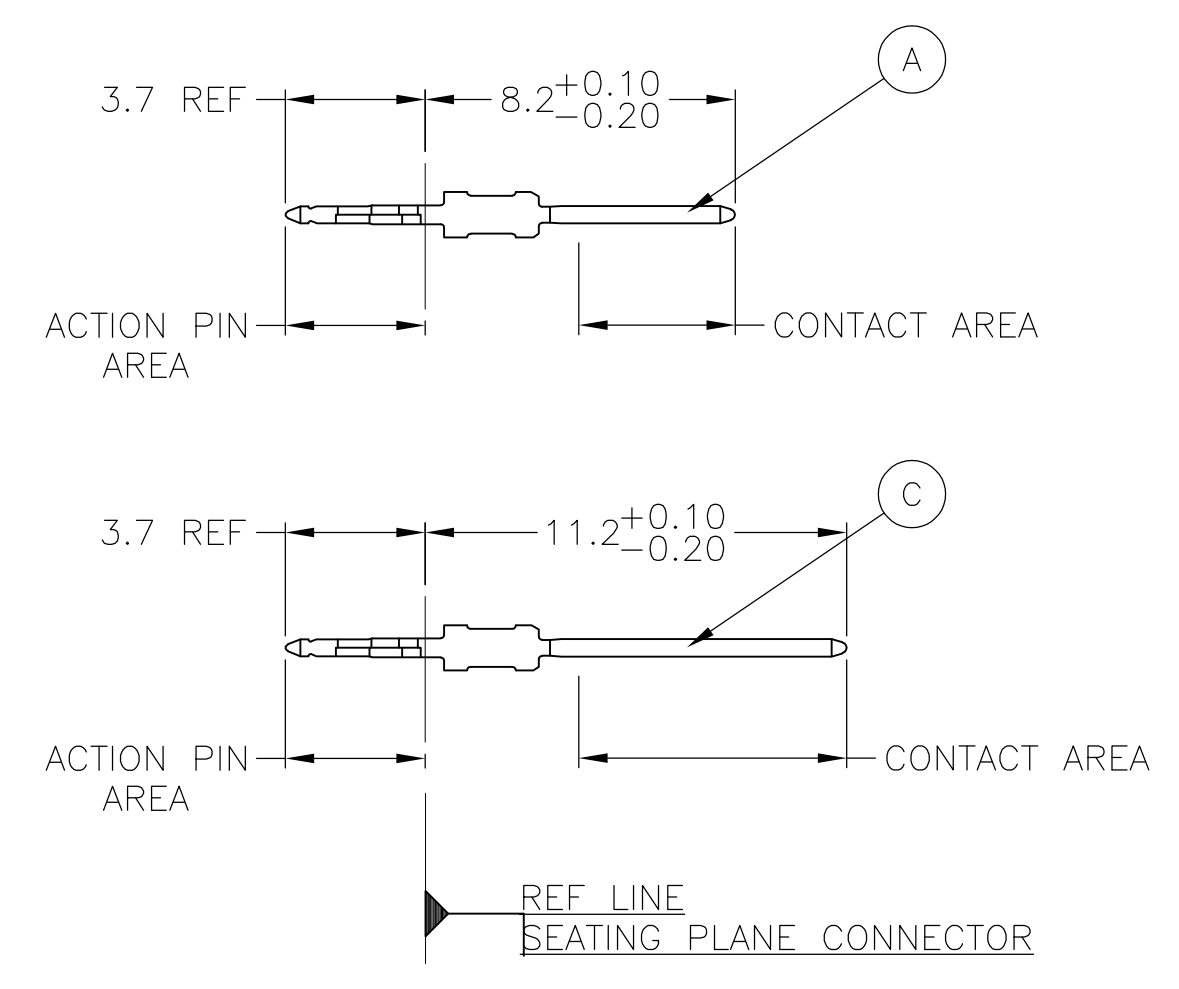


CONNECTOR ASSEMBLY EXAMPLARY LOADED



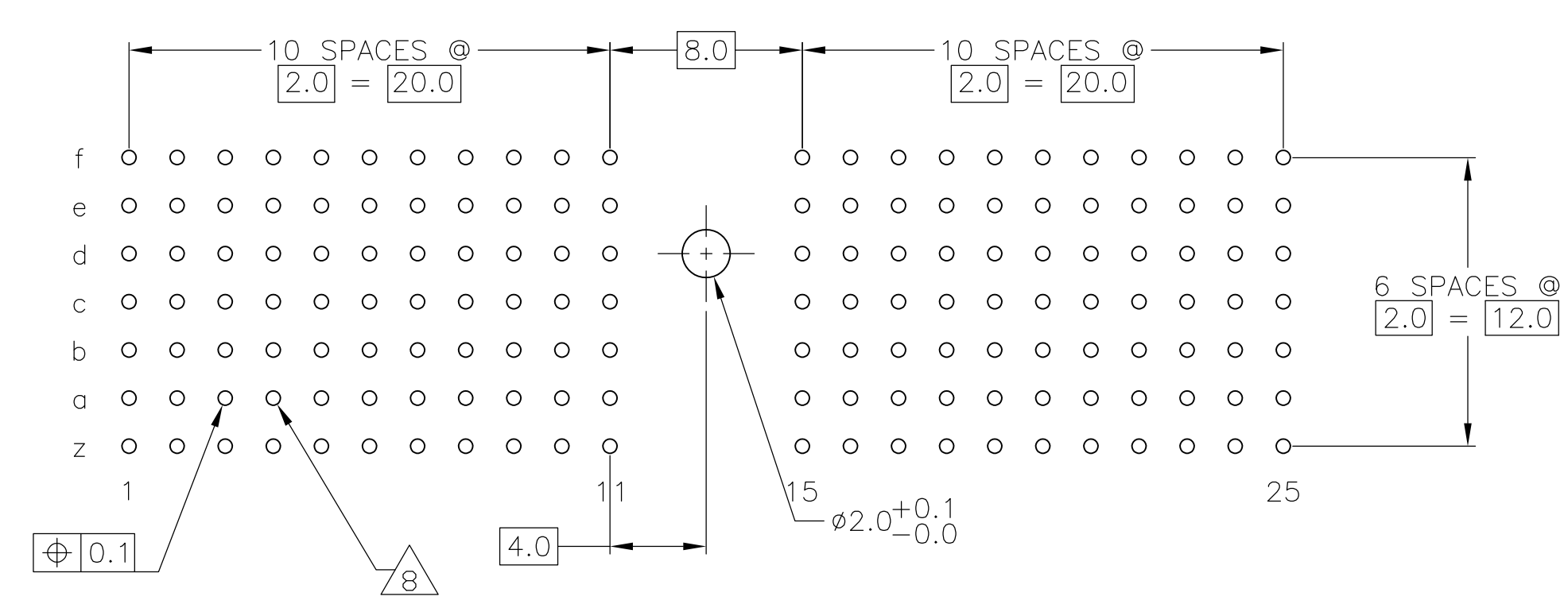
CONTACT DIMENSIONS SCALE 5:1



CONTACT LAYOUT

| | | | | | | | |
|----------------------|---|---|---|---|---|---|---|
| | z | a | b | c | d | e | f |
| 1 | C | A | A | A | A | A | C |
| 2 | C | A | A | A | A | A | C |
| 3 | C | A | A | A | A | A | C |
| 4 | C | A | A | A | A | A | C |
| 5 | C | A | A | A | A | A | C |
| 6 | C | A | A | A | A | A | C |
| 7 | C | A | A | A | A | A | C |
| 8 | C | A | A | A | A | A | C |
| 9 | C | A | A | A | A | A | C |
| 10 | C | A | A | A | A | A | C |
| 11 | C | A | A | A | A | A | C |
| MULTI PURPOSE CENTER | | | | | | | |
| 15 | C | A | A | A | A | A | C |
| 16 | C | A | A | A | A | A | C |
| 17 | C | A | A | A | A | A | C |
| 18 | C | A | A | A | A | A | C |
| 19 | C | A | A | A | A | A | C |
| 20 | C | A | A | A | A | A | C |
| 21 | C | A | A | A | A | A | C |
| 22 | C | A | A | A | A | A | C |
| 23 | C | A | A | A | A | A | C |
| 24 | C | A | A | A | A | A | C |
| 25 | C | A | A | A | A | A | C |

RECOMMENDED PCB-HOLE LAYOUT COMPONENT SIDE SHOWN



PLATED THRU HOLES PARAMETERS REFERENCE APPLICATION SPECIFICATION

| | | | |
|--------|---|----|-------------|
| 2 | 3 | 4 | 3-100668-0 |
| 2 | 6 | 14 | 1-100668-9 |
| 2 | 5 | 14 | 100668-9 |
| 2 | 4 | 14 | 100668-4 |
| 2 | 3 | 14 | 100668-1 |
| FINISH | | | PART NUMBER |

THIS DRAWING IS A CONTROLLED DOCUMENT. DWN: PETER DEVOS, CHK: [blank], APVD: [blank]

DIMENSIONS: mm. TOLERANCES UNLESS OTHERWISE SPECIFIED: 0-PLC ±, 1-PLC ±0.1, 2-PLC ±, 3-PLC ±, 4-PLC ±, ANGLES ±.

MATERIAL: [blank]. FINISH: SEE TABLE.

STE TE Connectivity

PRODUCT SPEC: 108-19082. APPLICATION SPEC: 114-19029.

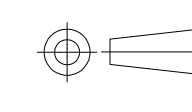
MALE ASSEMBLY, Z-PACK 2mm HM, TYPE A.

SIZE: A1. CAGE CODE: 00779. DRAWING NO: 100668. WEIGHT: [blank].

CUSTOMER DRAWING. SCALE: 4:1. SHEET: 1 OF 2. REV: R1.

| LOC | | DIST | | REVISIONS | | | | |
|-----|-----|-------------|------|-----------|------|---|---|--|
| P | LTR | DESCRIPTION | DATE | DN | APVD | | | |
| - | - | SEE SHEET 1 | - | - | - | - | - | |

- 1 MATERIAL:
CONTACT: PHOSPHOR BRONZE.
HOUSING: GLASS-FILLED POLYESTER.
- 2 GENERAL PLATING SPECIFICATION: UNDERPLATING
(ENTIRE CONTACT): 1.27µm MIN NICKEL AND ACTION
PIN: 0.5µm MIN TIN LEAD.
FOR PLATING OF MATING SURFACES SEE APPLICABLE
SPECIFICATION REFERENCE FOR EACH DASH NUMBER.
- 3 CONFORMS TO ALL TESTING ACCORDING TO IEC 61076-4-101
PERFORMANCE LEVEL 2.
- 4 CONFORMS TO ALL TESTING ACCORDING TO IEC 61076-4-101
PERFORMANCE LEVEL 1.
- 5 CONNECTOR TESTED AND QUALIFIED AGAINST TELCORDIA GR-1217-CORE QUALITY LEVEL 3,
CENTRAL OFFICE APPLICATIONS.
- 6 CONNECTOR TESTED AND QUALIFIED AGAINST TELCORDIA GR-1217-CORE QUALITY LEVEL 3,
UNCONTROLLED ENVIROMENT APPLICATIONS.
- 7 CONNECTOR MARKED WITH PART NUMBER AND DATE CODE.
ADDITIONAL CHARACTERS OR MARKINGS, AS WELL AS THE LOCATION OF THE MARKINGS,
MAY BE ADDED FOR TRACEABILITY BASED UPON MANUFACTURERS DISCRETION.
- 8 PLATED-THROUGH HOLES AT 2x2mm SQUARE GRID
PATTERN DEFINED BY CONTACT LAYOUT.
- 9 FOR ACTUAL PIN LOADING SEE "CONTACT LAYOUT".
- 10 FOR ACTUAL PIN DIMENSIONS SEE "CONTACT DIMENSIONS".
- 11 TO BE MEASURED AT BOTTOM OF SHROUD.
- 12 POLARIZATION FEATURE.
- 13 AREA RESERVED FOR KEYING PART (BASIC P/N 100525).
- 14 CONNECTOR LUBRICATED WITH BELCORE APPROVED LUBRICANT,
TECHNICAL REFERENCE: TR-NWT-001217 ISSUE 1, SEP 1992.
- 15 OBSOLETE PART NUMBER.
- 16 OBSOLETE PARTS: OBSOLETE CIS STREAMLINING PER D.RENAUD/D.SINISI
- 17 0.76µm MIN GOLD PLATING AT MATING SURFACES.

| | | | | | |
|---|--------------------|---|-----------|--|--------------------|
| THIS DRAWING IS A CONTROLLED DOCUMENT. | | DIN PETER DEVOS ZONOV01 | | STE TE Connectivity | |
| DIMENSIONS: mm | | TOLERANCES UNLESS OTHERWISE SPECIFIED: ±0.2 | | NAME MALE ASSEMBLY, Z-PACK 2mm HM, TYPE A | |
|  | | 0-PLC ± 1-PLC ± 0.1 2-PLC ± 3-PLC ± 4-PLC ± ANGLES ± | | PRODUCT SPEC 108-19082 APPLICATION SPEC 114-19029 | |
| MATERIAL SEE SHEET 1 | FINISH SEE SHEET 1 | WEIGHT | SIZE A1 | CAGE CODE 00779 | DRAWING NO. 100668 |
| CUSTOMER DRAWING | | | SCALE 4:1 | SHEET 2 OF 2 | REV R1 |

X-ON Electronics

Largest Supplier of Electrical and Electronic Components

Click to view similar products for [Hard Metric Connectors](#) category:

Click to view products by [TE Connectivity](#) manufacturer:

Other Similar products are found below :

[6345127-1](#) [646916-9](#) [6469658-1](#) [973108](#) [1-2000713-0](#) [1-2000713-2](#) [1-2000713-3](#) [1645343-1](#) [1645456-1](#) [1645594-1](#) [1645595-1](#) [1645601-1](#)
[1934822-1](#) [278071110010833](#) [1645179-1](#) [1645245-1](#) [1645457-1](#) [1645525-1](#) [1645570-1](#) [1645596-1](#) [17041102202](#) [1857470-1](#) [1934275-1](#)
[1934289-1](#) [1934759-1](#) [2000673-1](#) [2170292-2](#) [2-536642-6](#) [3-106015-1](#) [352188-1](#) [352629-1](#) [5120823-1](#) [5120899-1](#) [3-100145-0](#) [3-100147-0](#)
[3-100669-1](#) [3-106081-0](#) [HM2DK2368PLF](#) [5646530-1](#) [3-352049-0](#) [3-352069-0](#) [3-352115-0](#) [3-352638-0](#) [352189-1](#) [3-646357-0](#) [3-646487-0](#)
[3-646513-0](#) [106726-1](#) [114352](#) [114619](#)