



# Model 93 - 3100 series

## Definite Purpose Contactor 3-pole, 50-60 FLA AC Coil

**UL** File E75492  
**CE** File EN60947-4-1:1991  
IEC 947-4-1

Users should thoroughly review the technical data before selecting a product part number. It is recommended that users also seek out the pertinent approvals files of the agencies/laboratories and review them to ensure the product meets the requirements for a given application.

### Features

- 3-pole contactors.
- Convenient "universal" mounting plate.
- Optional interlock/auxiliary switches available.

### Contact Data @ 25°C

**Arrangements:** 3 Form X (3PST-NO-DM).  
**Maximum Ratings:** See Contact Ratings Table.  
**Material:** Silver Cadmium Oxide.

### Coil Data @ 25°C

**Voltage:** 24 - 480 VAC, 50/60 Hz. See Coil Data Table below.  
**Insulation Class:** UL Class B (130°C).  
**Duty Cycle:** Continuous.

### Environmental Data

**Temperature Range:** Storage and Operating: -40°C – +65°C.  
**Flammability:** UL 94-HB housing.

### Mechanical Data

#### Contact Termination:

**Type:** Box Lug with dual 0.250" (6.35 mm) quick connects.

**Wire Size:** 14-2 Cu/Al AWG

**Tightening Torque:** 50 in.-lbs.

**Coil Termination:** Dual 0.250" (6.35 mm) quick connects, standard.

A 0.250" quick connect and a #6-32 screw, optional.

**Arc Cover:** Standard.

**Weight:** 32 oz. (910 g) approximately

### Contact Ratings

| Full Load Amps | Number of Poles | Line Voltage | Locked Rotor Amps | Resistive Amps | Tungsten/Ballast Amps | Maximum Horsepower |              |             |
|----------------|-----------------|--------------|-------------------|----------------|-----------------------|--------------------|--------------|-------------|
|                |                 |              |                   |                |                       | Voltage            | Single Phase | Three Phase |
| 50             | 3               | 240          | 300               | 65             | -                     | 110/120            | 3            | -           |
|                |                 | 480          | 250               | 65             | 53                    | 200/208            | 7.5          | 15          |
|                |                 | 600          | 200               | 65             | -                     | 240/277            | 10           | 15          |
|                |                 |              |                   |                |                       | 480                | -            | 25          |
| 60             | 3               | 240          | 360               | 75             | -                     | 110/120            | 5            | -           |
|                |                 | 480          | 300               | 75             | 53                    | 200/208            | 7.5          | 25          |
|                |                 | 600          | 240               | 75             | -                     | 240/277            | 10           | 25          |
|                |                 |              |                   |                |                       | 480                | -            | 30          |
|                |                 |              |                   |                |                       | 600                | -            | 30          |

### Coil Data

|                              | 24    | 120     | 208/240  | 277    | 480       |
|------------------------------|-------|---------|----------|--------|-----------|
| Nominal Coil Voltage         | 24    | 120     | 208/240  | 277    | 480       |
| Maximum Pickup Volts         | 182   | 93      | 177      | 235    | 374       |
| Drop-Out Volts Range         | 6 -15 | 20 - 70 | 40 - 135 | 50-180 | 120 - 286 |
| Nominal Inrush VA @ 50 Hz    | 140   | 140     | 140      | 140    | 140       |
| Nominal Inrush VA @ 60 Hz    | 132   | 132     | 132      | 132    | 132       |
| Nominal Sealed VA @ 50 Hz    | 20    | 20      | 20       | 20     | 20        |
| Nominal Sealed VA @ 60 Hz    | 14    | 14      | 14       | 14     | 14        |
| Nominal DC Resistance - Ohms | 2.4   | 45      | 180      | 280    | 852       |

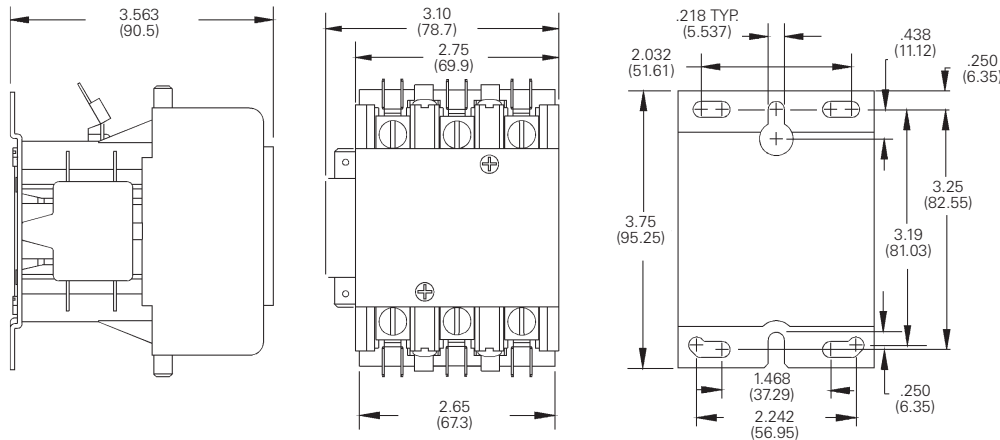
**Ordering Information**

|   |             |   |           |          |           |            |  |
|---|-------------|---|-----------|----------|-----------|------------|--|
| <b>Typical Part No. ▶</b>   | <b>3100</b> | - | <b>30</b> | <b>I</b> | <b>16</b> | <b>999</b> |  |
| <p><b>1. Series:</b><br/>3100 = 3-pole, 50-60 FLA contactor</p> <p><b>2. Packaging:</b><br/>Y = Individual Pack<br/>- = Bulk Pack<br/>A-ZZZ = Customer specific information (assigned by factory)</p> <p><b>3. Pole Configuration:</b><br/>30 = 3 Form X (3PST-NO-DM)</p> <p><b>4. Coil Voltage (50/60 Hz.):</b><br/>I = 24VAC, molded      K = 208/240VAC, molded<br/>J = 120VAC, molded      M = 277VAC, molded      W = 480VAC, molded</p> <p><b>5. Contact Ratings (Inductive):</b><br/>16 = 50 FLA      17 = 60 FLA</p> <p><b>6. Customer ID Suffix:</b><br/>999 = Standard Model      000-998 = Factory assigned customer ID</p> <p><b>7. Option Code:</b><br/>Leave Blank = No customer-specific options      A - ZZ = Factory assigned customer-specific options.</p> |             |   |           |          |           |            |  |

**Standard part numbers listed below are more likely to be available from stock.**

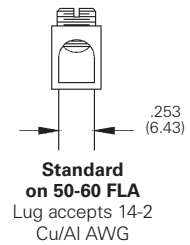
None at present.

**Outline Dimensions**

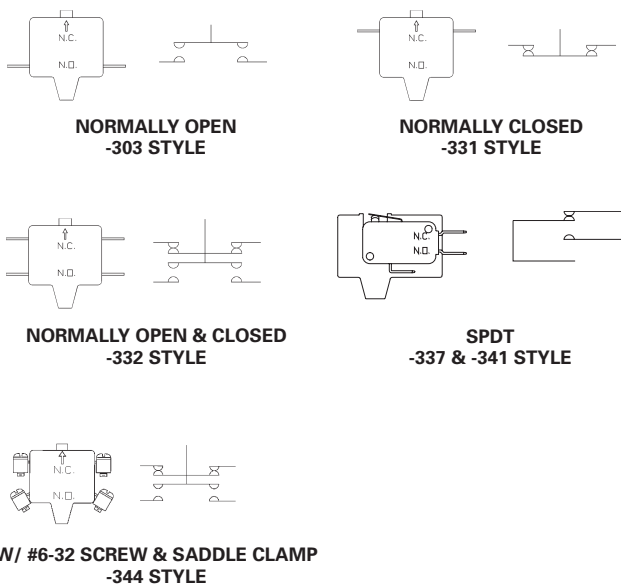


Shown with Optional Auxiliary Switch

**Termination**



Various interlock / auxiliary switches are available for the Model 93 contactor.



**Equipped with 0.250" (6.35) Quick Connect Terminals**

| Description                                  | Factory Modifications |    | Field Added Kits   |                         |
|--|-----------------------|----|--------------------|-------------------------|
|  | Contact Config. NO    | NC | Kit Catalog Number | Number of Kits Required |
| Single unit interlock configurations listed. | 1                     | 0  | 34300-303          | 1                       |
|  | 0                     | 1  | 34300-331          | 1                       |
| Maximum of two. Must be same polarity.       | 1                     | 1  | 34300-332          | 1                       |
|  | 2                     | 0  | 34300-303          | 2                       |
| See footnote (1) for ratings.                | 0                     | 2  | 34300-331          | 2                       |
|  | 2                     | 2  | 34300-332          | 2                       |
| SPDT Circuit                                 | 1                     | 1  | 34300-337          | 1                       |
| See footnote (2) for ratings.                | 2                     | 2  | 34300-337          | 2                       |
| SPDT Dry Circuit, 0.1 amp max.               | 1                     | 1  | 34300-341          | 1                       |
| Gold Flashed Contacts                        | 2                     | 2  | 34300-340          | 1                       |

**Equipped with #6-32 Screw Terminals & Saddle Clamps**

| Description                                     | Factory Modifications |    | Field Added Kits   |                         |
|---|-----------------------|----|--------------------|-------------------------|
|   | Contact Config. NO    | NC | Kit Catalog Number | Number of Kits Required |
| Single unit interlock configurations listed.    | 1                     | 0  | 34300-342          | 1                       |
|   | 0                     | 1  | 34300-343          | 1                       |
| Maximum of two. Must be same polarity. (note 1) | 1                     | 1  | 34300-344          | 1                       |

**Footnotes: Ratings of Auxiliary Interlocks / Switches**

(1) Contact Rating Single Circuit NO or NC and two circuit NO/NC:

|            |      |      |       |      |
|------------|------|------|-------|------|
|            | 120V | 240V | 480V  | 600V |
| Break      | 3.0A | 1.5A | 0.75A | 0.6A |
| Make       | 30A  | 15A  | 7.5A  | 6A   |
| Continuous | 10A  | 10A  | 10A   | 10A  |

(2) Contact Rating SPDT (337):  
10A, 1/3 HP, 125 or 250 VAC  
1/2A, 125 VDC; 1/4A, 250 VDC:  
4A 120 VAC on Lamp Load

## X-ON Electronics

Largest Supplier of Electrical and Electronic Components

*Click to view similar products for [Industrial Relays](#) category:*

*Click to view products by [TE Connectivity](#) manufacturer:*

Other Similar products are found below :

[6-1617801-8](#) [6-1618107-9](#) [7-1618273-3](#) [EV250-4A-02](#) [EV250-6A-01](#) [FCA-125-CX8](#) [FCA-325-159](#) [FCA-410-138](#) [8000-S3121](#) [8-1618273-6](#)  
[8-1618393-1](#) [GCA63A220VAC60HZ](#) [GCA63A277VAC60HZ](#) [GCA63A600VAC60HZ](#) [1-1672275-3](#) [1-1833005-4](#) [H-16/S1](#) [A711Z](#) [H-8C](#)  
[H-8/S11](#) [H-8/S68](#) [ACC530U20](#) [ACC730U30](#) [RF303ZM4-12](#) [DH18DA](#) [1423675-8](#) [AR4-15F13-C01](#) [AR7-41F11](#) [AVR907](#) [15732A200](#)  
[B07B032AC1-0329](#) [B329](#) [B490A](#) [1618279-1](#) [BHR124Y](#) [1810DDB-SX](#) [N417](#) [P30C42A12D1-120](#) [2-1617748-6](#) [2-1618375-1](#) [2-1618396-6](#)  
[2-1618398-1](#) [JMAPD-5XL](#) [JMGACD-5M](#) [JMGSC-5LW](#) [JMGSCD-5L](#) [PBO-18A1218](#) [PBO-40A3040](#) [K8DSPH1200480VAC](#) [KA-3C-12A](#)