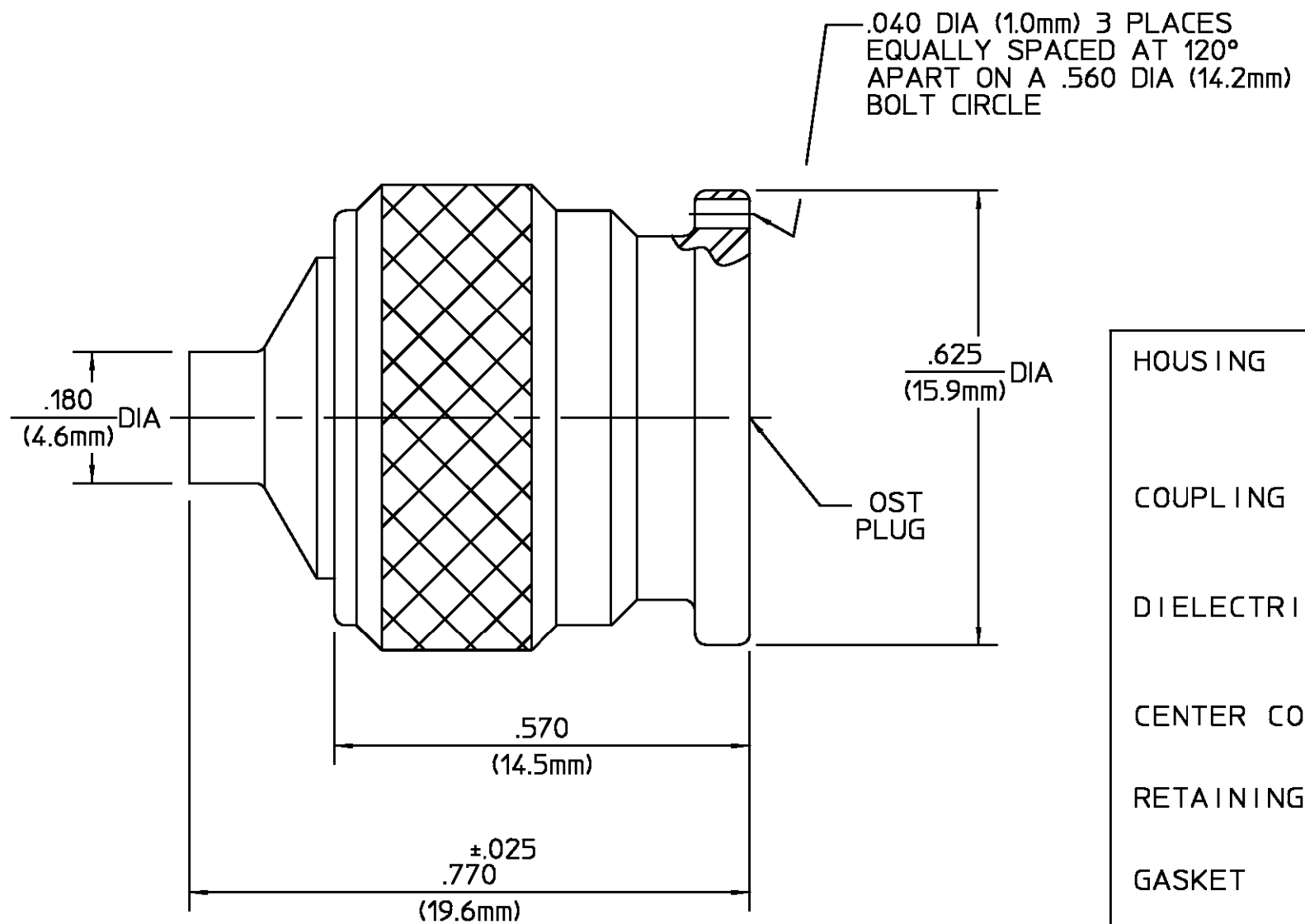


REVISIONS			
REV	DESCRIPTION	DATE	APPROVED
05 <sub>1</sub>	SEE ECN 81-0047	SB 1-19-81	RC
05 <sub>2</sub>	SEE ECN 80-0084	P.M. 4-8-81	TS
06 <sub>0</sub>	MAJ. CHANGE PER ECN 85-0032	L.ROSS 1-15-85	RR 1-15-85
06 <sub>1</sub>	REDRAWN ON CAD PER ECN 88-0678	M.Y. 3-31-89	KCM
B	PER EC 0U20-0694-00	030CT01	C.7 030CT01



HOUSING	STAINLESS STEEL PER ASTM-A484 AND ASTM-A582, TYPE 303	GOLD PLATE PER MIL-G-45204 OVER NICKEL PLATE PER QQ-N-290
COUPLING NUT	STAINLESS STEEL PER ASTM-A484 AND ASTM-A582, TYPE 303	PASSIVATE PER ASTM-A380
DIELECTRIC	TFE FLUOROCARBON PER MIL-P-19468 AND FED SPEC L-P-403	N/A
CENTER CONTACT	BRASS PER ASTM-B-16, HALF HARD	GOLD PLATE PER MIL-G-45204
RETAINING RING	BERYLLIUM COPPER PER QQ-C-533	N/A
GASKET	SILICONE RUBBER PER ZZ-R-765	N/A
COMPONENT	MATERIAL	FINISH

CABLE ENTRY DIAMETER MINIMUM	
HOUSING	.145
CONTACT	.040

UNLESS OTHERWISE SPECIFIED DIMENSIONS ARE IN INCHES  
TOLERANCE ON  
FRAC. DEC. ANGLES  
\* 1/64 \* .005 \* °

These drawings and specifications are the property of Omni Spectra Incorporated and shall not be reproduced or copied or used in whole or in part as the basis for the manufacture or sale of item(s) without written permission.

DRAWN BY J.L. DATE 9-1-67  
CHECKED BY REA 9-1-67  
APPD BY JK 9-5-67

**AMP**  
AMP Incorporated  
140 Fourth Avenue  
Waltham, MA 02451-7599

USE ASS'Y PROCEDURE  
408-08201  
NO. AP. (31-001)

TITLE OST CABLE PLUG DIRECT SOLDER  
SIZE B CODE IDENT NO. 26805  
3101-7941-00 REV 06<sub>1</sub>  
SCALE 5:1 SHEET 1 OF 1

NOTES:  
1. DESIGNED FOR USE WITH .141 SEMI-RIGID CABLE

## X-ON Electronics

Largest Supplier of Electrical and Electronic Components

*Click to view similar products for [RF Connectors / Coaxial Connectors](#) category:*

*Click to view products by [TE Connectivity](#) manufacturer:*

Other Similar products are found below :

[8915-1511-000](#) [89674-0827](#) [6001-7071-019](#) [6002-7051-003](#) [6002-7551-202](#) [6059674-1](#) [619550-1](#) [630059-000](#) [M39030/3-01N](#) [6500-7071-046](#) [6769](#) [CX050L2AQ](#) [7002-1541-010](#) [7002-1542-011](#) [7004-1512-000](#) [7009-1511-004](#) [7010-1511-000](#) [7029-1511-060](#) [7101-1541-010](#) [7101-1571-002](#) [7105-1521-002](#) [7145-1521-002](#) [7203-1571-003](#) [7209-1511-011](#) [7210-1511-015](#) [7210-1511-019](#) [73137-5015](#) [73216-2241](#) [73404-2300](#) [7405-1521-005](#) [7405-1521-802](#) [8527](#) [8547](#) [FS11V](#) [877931](#) [9049-9513-000](#) [9074-9513-000](#) [9101-9573-002](#) [910A205F](#) [9130-9573-002](#) [PL11SC-026](#) [PL375-33](#) [PL40-5](#) [PL74C-221](#) [PL75MC-217](#) [PL803-7](#) [1200690078](#) [1-201144-1](#) [R107003010W](#) [R110A172100](#)