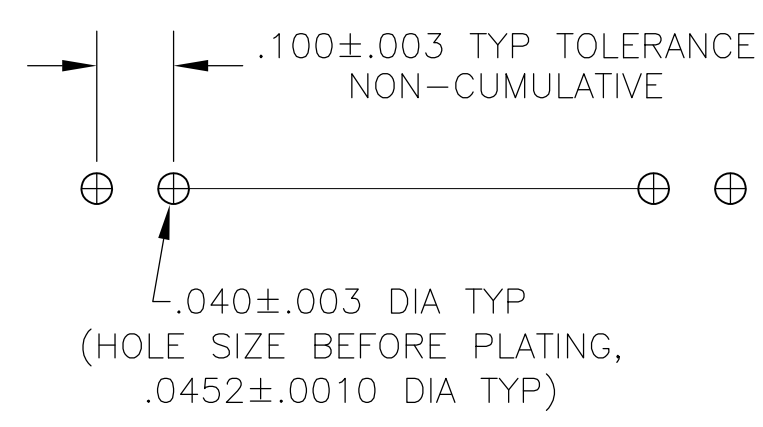
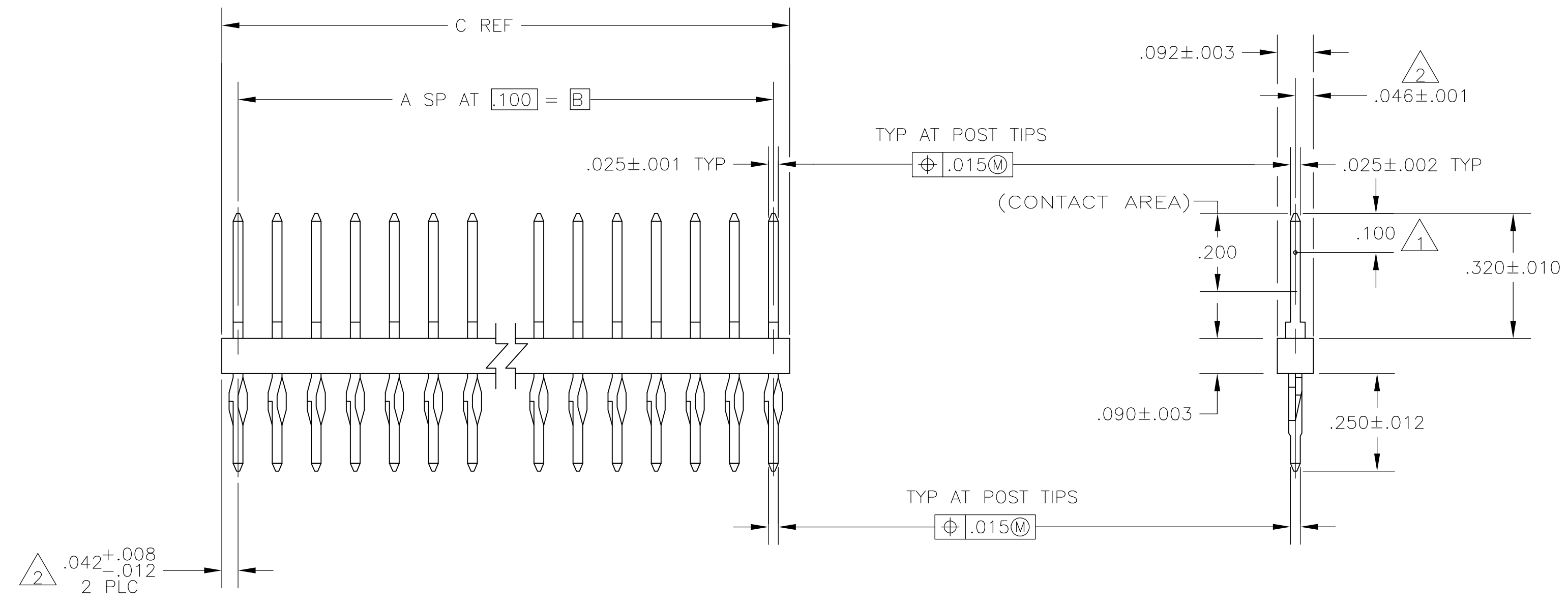


- 1 POINT OF MEASUREMENT FOR PLATING THICKNESS
- 2 THE NOTED DIMENSIONS APPLY AT THE INTERSECTION OF THE POST AND HOUSING
- 3 TRUE POSITION TOLERANCE OF THE POST TIPS APPLIES WHEN THE HEADERS ARE HELD FLAT AGAINST THE PRINTED CIRCUIT BOARD
- 4 FINISH: POSTS, .000030 GOLD IN CONTACT AREA, .000100-.000200 MATTE TIN-LEAD ON SOLDER TAIL, ALL OVER .000050 NICKEL.
- 5 FINISH: POSTS, .000030 GOLD IN CONTACT AREA, .000100-.000200 MATTE TIN ON SOLDER TAIL, ALL OVER .000050 NICKEL.
- 6 OBSOLETE PARTS: OBSOLETE CIS STREAMLINING PER D.RENAUD/D.SINISI



RECOMMENDED HOLE LAYOUT

6	OBSOLETE	4	.284	.200	2	3	9-103336-0
6	OBSOLETE	5	.684	.600	6	7	8-103336-9
6	OBSOLETE	4	.484	.400	4	5	8-103336-8
6	OBSOLETE	5	.584	.500	5	6	8-103336-7
6	OBSOLETE	4	.384	.300	3	4	8-103336-6
6	OBSOLETE	4	.084	0	0	1	8-103336-5
6	OBSOLETE	4	.184	.100	1	2	8-103336-4
6	OBSOLETE	4	3.984	3.900	39	40	8-103336-3
6	OBSOLETE	4	3.584	3.500	35	36	7-103336-9
6	OBSOLETE	4	3.184	3.100	31	32	7-103336-5
6	OBSOLETE	4	2.984	2.900	29	30	7-103336-3
6	OBSOLETE	4	2.484	2.400	24	25	6-103336-8
6	OBSOLETE	4	1.984	1.900	19	20	6-103336-3
6	OBSOLETE	4	1.884	1.800	18	19	6-103336-2
6	OBSOLETE	4	1.784	1.700	17	18	6-103336-1
6	OBSOLETE	4	1.684	1.600	16	17	6-103336-0
6	OBSOLETE	4	1.584	1.500	15	16	5-103336-9
6	OBSOLETE	4	1.484	1.400	14	15	5-103336-8
6	OBSOLETE	4	1.384	1.300	13	14	5-103336-7
6	OBSOLETE	4	1.284	1.200	12	13	5-103336-6
6	OBSOLETE	4	1.184	1.100	11	12	5-103336-5
6	OBSOLETE	4	1.084	1.000	10	11	5-103336-4
6	OBSOLETE	4	.984	.900	9	10	5-103336-3
6	OBSOLETE	4	.884	.800	8	9	5-103336-2
6	OBSOLETE	4	.784	.700	7	8	5-103336-1

6	OBSOLETE	4	.284	.200	2	3	4-103336-0
6	OBSOLETE	4	.684	.600	6	7	3-103336-9
6	OBSOLETE	4	.484	.400	4	5	3-103336-8
6	OBSOLETE	4	.584	.500	5	6	3-103336-7
6	OBSOLETE	4	.384	.300	3	4	3-103336-6
6	OBSOLETE	4	.084	0	0	1	3-103336-5
6	OBSOLETE	4	.184	.100	1	2	3-103336-4
6	OBSOLETE	4	3.984	3.900	39	40	3-103336-3
6	OBSOLETE	4	3.884	3.800	38	39	3-103336-2
6	OBSOLETE	4	3.784	3.700	37	38	3-103336-1
6	OBSOLETE	4	3.684	3.600	36	37	3-103336-0
6	OBSOLETE	4	3.584	3.500	35	36	2-103336-9
6	OBSOLETE	4	3.484	3.400	34	35	2-103336-8
6	OBSOLETE	4	3.384	3.300	33	34	2-103336-7
6	OBSOLETE	4	3.284	3.200	32	33	2-103336-6
6	OBSOLETE	4	3.184	3.100	31	32	2-103336-5
6	OBSOLETE	4	3.084	3.000	30	31	2-103336-4
6	OBSOLETE	4	2.984	2.900	29	30	2-103336-3
6	OBSOLETE	4	2.884	2.800	28	29	2-103336-2
6	OBSOLETE	4	2.784	2.700	27	28	2-103336-1
6	OBSOLETE	4	2.684	2.600	26	27	2-103336-0
6	OBSOLETE	4	2.584	2.500	25	26	1-103336-9
6	OBSOLETE	4	2.484	2.400	24	25	1-103336-8
6	OBSOLETE	4	2.384	2.300	23	24	1-103336-7
6	OBSOLETE	4	2.284	2.200	22	23	1-103336-6
6	OBSOLETE	4	2.184	2.100	21	22	1-103336-5
6	OBSOLETE	4	2.084	2.000	20	21	1-103336-4
6	OBSOLETE	4	1.984	1.900	19	20	1-103336-3
6	OBSOLETE	4	1.884	1.800	18	19	1-103336-2
6	OBSOLETE	4	1.784	1.700	17	18	1-103336-1
6	OBSOLETE	4	1.684	1.600	16	17	1-103336-0
6	OBSOLETE	4	1.584	1.500	15	16	103336-9
6	OBSOLETE	4	1.484	1.400	14	15	103336-8
6	OBSOLETE	4	1.384	1.300	13	14	103336-7
6	OBSOLETE	4	1.284	1.200	12	13	103336-6
6	OBSOLETE	4	1.184	1.100	11	12	103336-5
6	OBSOLETE	4	1.084	1.000	10	11	103336-4
6	OBSOLETE	4	.984	.900	9	10	103336-3
6	OBSOLETE	4	.884	.800	8	9	103336-2
6	OBSOLETE	4	.784	.700	7	8	103336-1

PLATING	C	B	A	NO OF POSN	ASSEMBLY PART NUMBER
---------	---	---	---	------------	----------------------

PLATING	C	B	A	NO OF POSN	ASSEMBLY PART NUMBER
---------	---	---	---	------------	----------------------

THIS DRAWING IS A CONTROLLED DOCUMENT.

DWN: H. MOLL 16 JULY 87
 CHK: L.A. MAYER 16 JULY 87
 APVD: T.C. CLARK 17 JULY 87

TE Connectivity

NAME: HEADER ASSY, MOD II, UNSHROUDED, COMPLIANT PIN, SINGLE, ROW .100 X .100C/L, WITH .025 SQ POSTS

PRODUCT SPEC: --
 APPLICATION SPEC: --
 MATERIAL: --
 FINISH: SEE TABLE

SIZE: A1
 CAGE CODE: 00779
 DRAWING NO: 103336

RESTRICTED TO: --
 WEIGHT: --
 CUSTOMER DRAWING: --
 SCALE: 4:1
 SHEET: 1 of 1
 REV: H3

X-ON Electronics

Largest Supplier of Electrical and Electronic Components

Click to view similar products for [Headers & Wire Housings](#) category:

Click to view products by [TE Connectivity](#) manufacturer:

Other Similar products are found below :

[892-18-020-10-001101](#) [58102-G61-06LF](#) [582553-1](#) [0009485154](#) [009176003701906](#) [0050291907](#) [LY20-4P-DT1-P1E-BR](#) [02.125.8002.8](#)
[609-3404](#) [61062-3](#) [61082-181009](#) [622-3653LF](#) [63453-116](#) [636-1030](#) [636-1427](#) [636-3427](#) [636-4007](#) [641938-9](#) [641991-4](#) [644827-2](#) [65817-010LF](#) [65817-015LF](#) [65863-015LF](#) [66207-023LF](#) [67095-007LF](#) [67601157](#) [68645-018](#) [68648-049](#) [70.362.1628.0](#) [70-4210](#) [70-4226B](#) [70-4853B](#) [707-5020](#) [707-5028](#) [71.350.2428.0](#) [71918-208LF](#) [71961-016LF](#) [733-134](#) [733-162](#) [754199-000](#) [760-3052](#) [787-8014-00](#) [79531-3000](#)
[FCN-360C032-B](#) [FCN-367T-T012/H](#) [FCN-723D010/2](#) [80.063.4001.1](#) [800-90-001-10-001000](#) [800-90-010-10-002000](#) [801-43-002-10-013000](#)