

THIS DRAWING IS UNPUBLISHED.

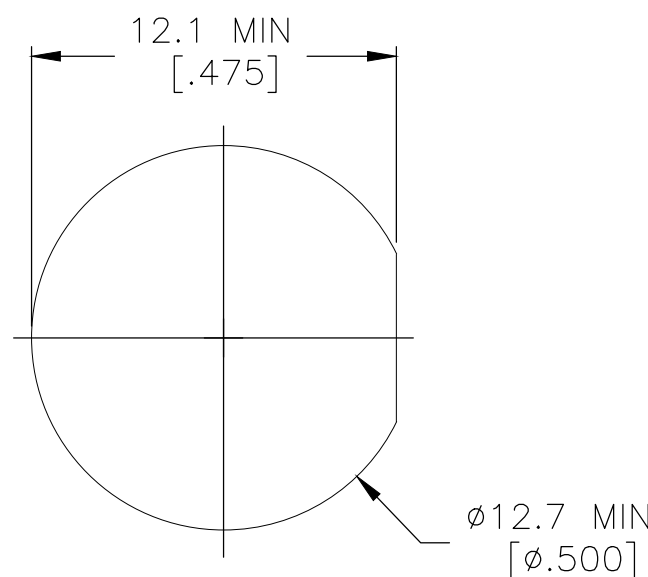
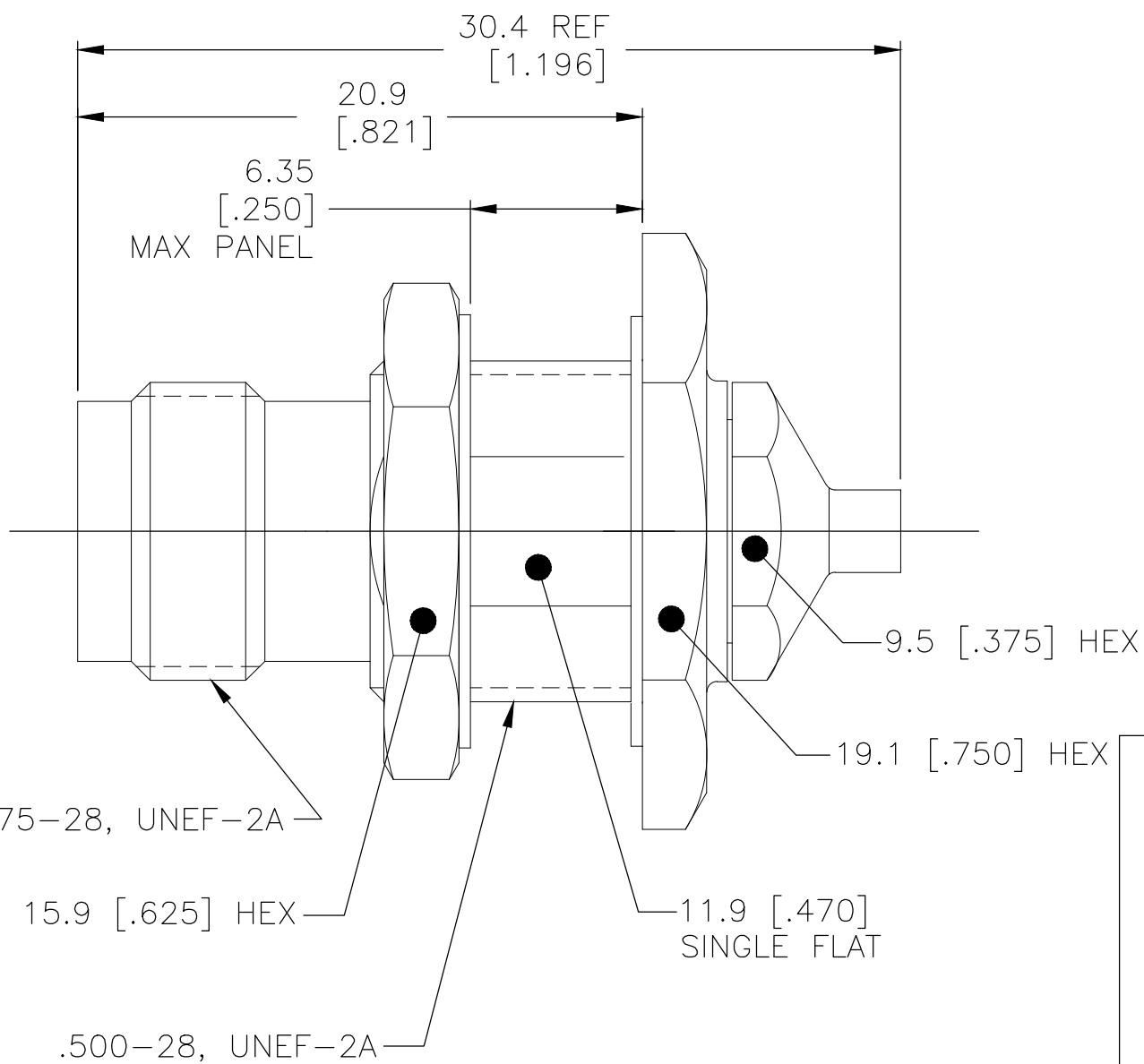
RELEASED FOR PUBLICATION

REVISIONS

© COPYRIGHT - TE Connectivity Ltd.

ALL RIGHTS RESERVED.

P	LTR	DESCRIPTION	DATE	DWN	APVD
	A2	REVISED PER ECR-19-002313	13FEB2019	ED	RS



.4375-28, UNEF-2A  
 15.9 [.625] HEX  
 .500-28, UNEF-2A

COMPONENT	MATERIAL	FINISH
REAR HOUSING MOUNTING NUT LOCKWASHER	STAINLESS STEEL PER ASTM-A484 AND ASTM-A582	PASSIVATE PER QQ-P-35
FRONT HOUSING	BRASS PER ASTM-B-16	GOLD PLATE PER ASTM-B488
DIELECTRIC	TFE FLUOROCARBON PER ASTM-D-1710	N/A
CENTER CONTACT	BERYLLIUM COPPER PER ASTM-B-196 OR ASTM-B-197	GOLD PLATE PER ASTM-B488  N/A
GASKET	SILICONE RUBBER PER ZZ-R-765	

1. SEE INSTRUCTION SHEET 408-8205.

DESIGNED FOR USE WITH .141" S.R.	
CABLE ENTRY DIAMETER MINIMUM	
HOUSING	3.61 [.142]
CONTACT	1.07 [.042]

THIS DRAWING IS A CONTROLLED DOCUMENT.		DWN R.M.K. 3/5/70	<b>STE</b> TE Connectivity		
DIMENSIONS: mm [INCHES]		CHK B.W.C. 6/29/70			
TOLERANCES UNLESS OTHERWISE SPECIFIED:		APVD T.A.R. 6/29/70	NAME		
0 PLC ± -		PRODUCT SPEC	TNC STRAIGHT BULKHEAD CABLE JACK DIRECT SOLDER VERSION		
1 PLC ± 0.13 [.005]		APPLICATION SPEC	SIZE	CAGE CODE	DRAWING NO
2 PLC ± -		WEIGHT 0.000000	A3	00779	C-1057676
3 PLC ± -		CUSTOMER DRAWING	RESTRICTED TO		
4 PLC ± -		SCALE 4:1	SHEET 1 OF 1		
ANGLES ± 1°		REV A2			
FINISH					

## X-ON Electronics

Largest Supplier of Electrical and Electronic Components

*Click to view similar products for [RF Connectors](#) / [Coaxial Connectors](#) category:*

*Click to view products by [TE Connectivity](#) manufacturer:*

Other Similar products are found below :

[8915-1511-000](#) [89674-0827](#) [6001-7071-019](#) [6002-7051-003](#) [6002-7551-202](#) [6059674-1](#) [619550-1](#) [630059-000](#) [M39030/3-01N](#) [6500-7071-046](#) [6769](#) [CX050L2AQ](#) [7002-1541-010](#) [7002-1542-011](#) [7004-1512-000](#) [7009-1511-004](#) [7010-1511-000](#) [7029-1511-060](#) [7101-1541-010](#) [7101-1571-002](#) [7145-1521-002](#) [7203-1571-003](#) [7209-1511-011](#) [7210-1511-015](#) [7210-1511-019](#) [73137-5015](#) [73216-2241](#) [73404-2300](#) [7405-1521-005](#) [7405-1521-802](#) [8527](#) [8547](#) [FS11V](#) [877931](#) [8808-1511-001](#) [9074-9513-000](#) [9101-9573-002](#) [910A205F](#) [9130-9573-002](#) [PL11SC-026](#) [PL375-33](#) [PL40-5](#) [PL74C-221](#) [PL75MC-217](#) [PL803-7](#) [1200690078](#) [1-201144-1](#) [R107003010W](#) [R110A172100](#) [R112186000](#)