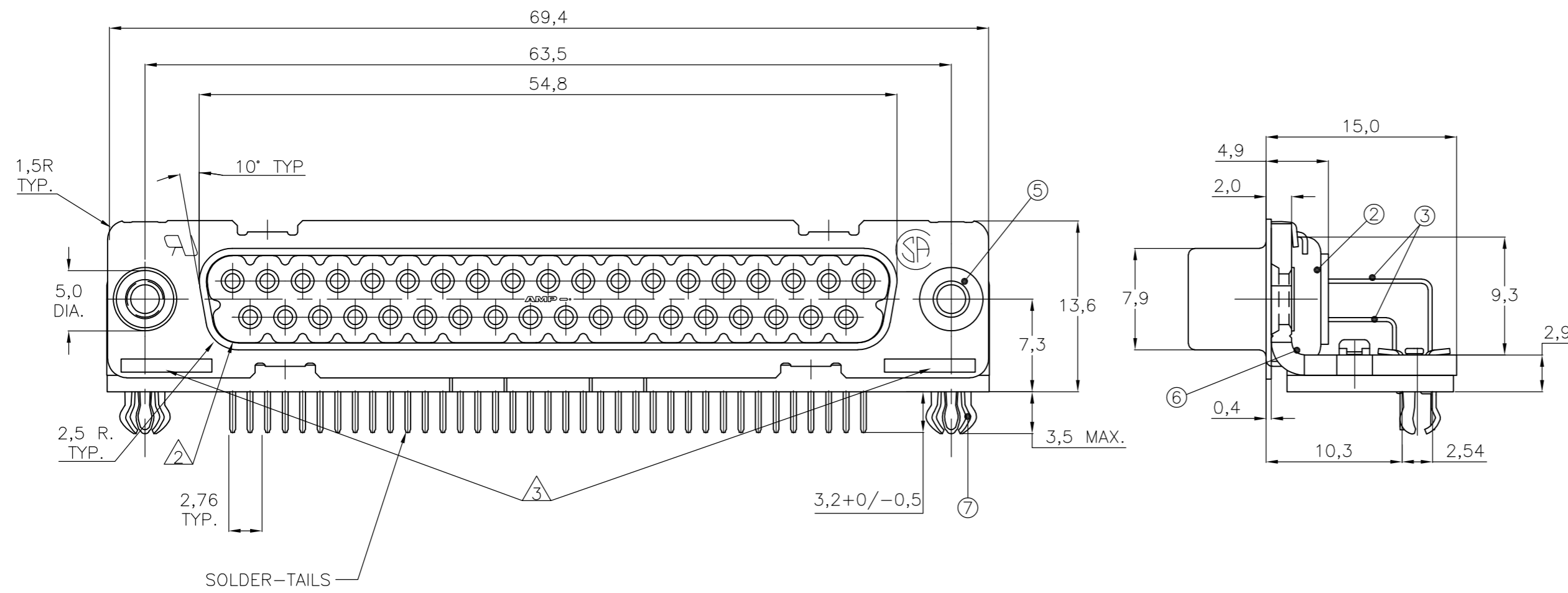


THIS DRAWING IS UNPUBLISHED. RELEASED FOR PUBLICATION
 © COPYRIGHT - By - ALL RIGHTS RESERVED.

LOC	DIST	REVISIONS			
P	LTR	DESCRIPTION	DATE	DWN	APVD
GP	00	REVISED PER ECO-15-004948	27APR2015	AP	SB

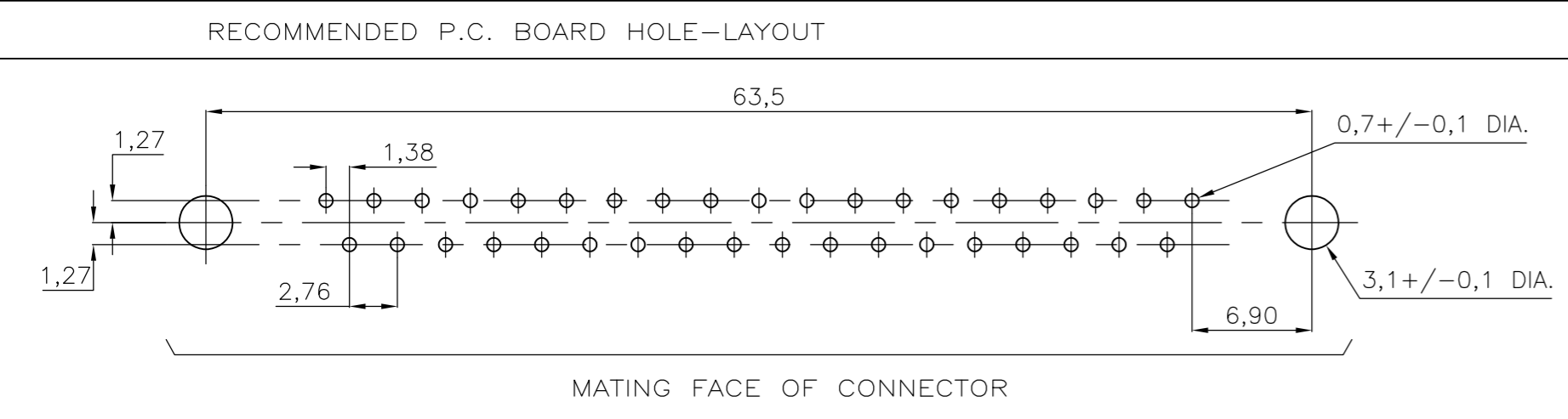
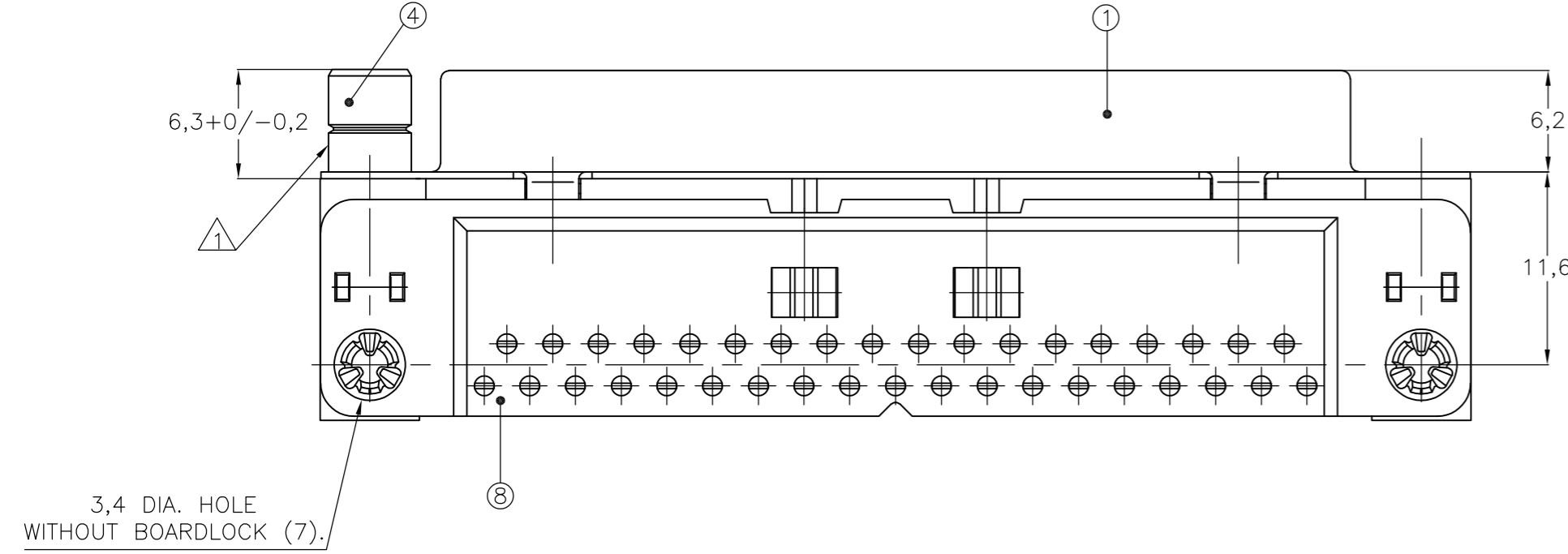


ACCESSORIES	ITEM NO.	DESCRIPTION OF ACCESSORY	2	2	2	2	2	2	2
	5	BUSHING WITH THROUGH-HOLE 3,1 DIA.							
	5	BUSHING WITH INNER THREAD 4-40 UNC	2					2	
	5	BUSHING WITH INNER THREAD M3		2					2
	4	FEMALE SCREWLOCK WITH 4-40 UNC			2				2
	4	FEMALE SCREWLOCK WITH M3				2			2
	7	BOARDLOCK	2	2	2	2	2		

OBSOLETE	1-106508-2								
OBSOLETE	2-106508-2								
OBSOLETE	3-106508-2								
OBSOLETE	4-106508-2								
OBSOLETE	5-106508-2								
OBSOLETE	6-106508-2								
OBSOLETE	7-106508-2								
OBSOLETE	8-106508-2								
OBSOLETE	9-106508-2								

- ① GROOVE INDICATES VERSION WITH 4-40 UNC INNER THREAD; WITHOUT GROOVE INDICATES VERSION WITH M3 INNER THREAD.
- ② CAVITY IDENTIFICATION AT FRONT SIDE ONLY.
- ③ PARTNUMBER AND DATE CODE.
- ④ AIR AND CREEPAGE DISTANCES ACCORDING TO DIN 41652.
- ⑤ CONTACT FINISH: GOLD FLASH OVER PALLADIUM-NICKEL PLATE OR GOLD PLATE ON MATING SURFACES, TIN PLATE ON THE SOLDER-TAILS, NICKEL UNDERPLATE ON THE ENTIRE CONTACT. MATING SURFACE FINISH MEETS LEVEL 2 PERFORMANCE PER DIN 41652.

- ITEM NO./MATERIAL :
- ① SHELL : BRIGHT TIN PLATED STEEL
 - ② HOUSING : GLASS FILLED POLYESTER, COLOR : BLACK
 - ③ CONTACTS : PHOSPHOR BRONZE (PLATING : SEE NOTES ABOVE)
 - ④ FEMALE SCREWLOCK : TIN PLATED STEEL (INNER THREAD 4-40 UNC OR M3)
 - ⑤ BUSHING : TIN PLATED STEEL (INNER THREAD 4-40 UNC OR M3 OR 3,1 DIA THROUGH-HOLE)
 - ⑥ BRACKET : TIN PLATED STEEL
 - ⑦ BOARDLOCK : TIN PLATED PHOSPHOR BRONZE
 - ⑧ POST ALIGNMENT PLATE : GLASS FILLED NYLON. COLOR : BLACK



THIS DRAWING IS A CONTROLLED DOCUMENT. DIMENSIONING AND TOLERANCING PER ASME Y14.5M-2009		DWN D. KESSLER 14JAN99	TE Connectivity	
DIMENSIONS: mm		CHK W. SOOMERS		
TOLERANCES UNLESS OTHERWISE SPECIFIED:		APVD	HD-20 SIZE 4 RIGHT ANGLE RECEPTACLE HEADER; MARK II+	
0 PLC ± -		PRODUCT SPEC	SIZE	RESTRICTED TO
1 PLC ± 0.3		APPLICATION SPEC	CAGE CODE	
2 PLC ± 0.15		WEIGHT	DRAWING NO	
3 PLC ± -		CUSTOMER DRAWING	A2 00779	
4 PLC ± -		SCALE	C=106508	
ANGLES ± 2°		SHEET	1 of 1	
FINISH		REV	P	

X-ON Electronics

Largest Supplier of Electrical and Electronic Components

Click to view similar products for [D-Sub Standard Connectors](#) category:

Click to view products by [TE Connectivity](#) manufacturer:

Other Similar products are found below :

[DCM37S732N](#) [DAM15P500](#) [DEV09S364GTLF](#) [DEM09P032N](#) [DDM50P732N](#) [DAM15S332N](#) [173109-2218](#) [173109-2466](#) [173109-2469](#)
[173109-2435](#) [56F706-005-LI](#) [56F711-015](#) [015-0341-000](#) [017041-0005](#) [012-9507-114](#) [012-9534-001](#) [609-25P](#) [M24308/2-23Z](#) [M243082310F](#)
[M24308/2-36Z](#) [M243082411F](#) [M24308315F](#) [M24308/4-21](#) [M243084437F](#) [CT0M22-23SS](#) [CT1N36-5SC](#) [CT2-16S-17PS](#) [CT2-20-15PCAU](#)
[CT2-24-12PS](#) [CT2-24-28PSF127A206](#) [CT6F9767-14-4-14S-5PC](#) [CT7-18-10SC](#) [CT7-18-10SCAU](#) [CT7-18-12SCAU](#) [CT7-18-1PC](#) [CT7-18-](#)
[1PCAU](#) [CT7-18-1SC](#) [CT7-18-21SCAU](#) [CT9-16-12PS](#) [M83513/01-FC](#) [M83723/76W24619 L/C](#) [M85049/48-3-2F](#) [69001-865](#)
[6STD09PCM99B70X](#) [6STD09SCM99B30X](#) [6STD09SCT99S40X](#) [6STD15PCT99S40X](#) [6STD15SCM99B30X](#) [6STD15SCT99S40X](#)
[6STF09PCM05B70X](#)