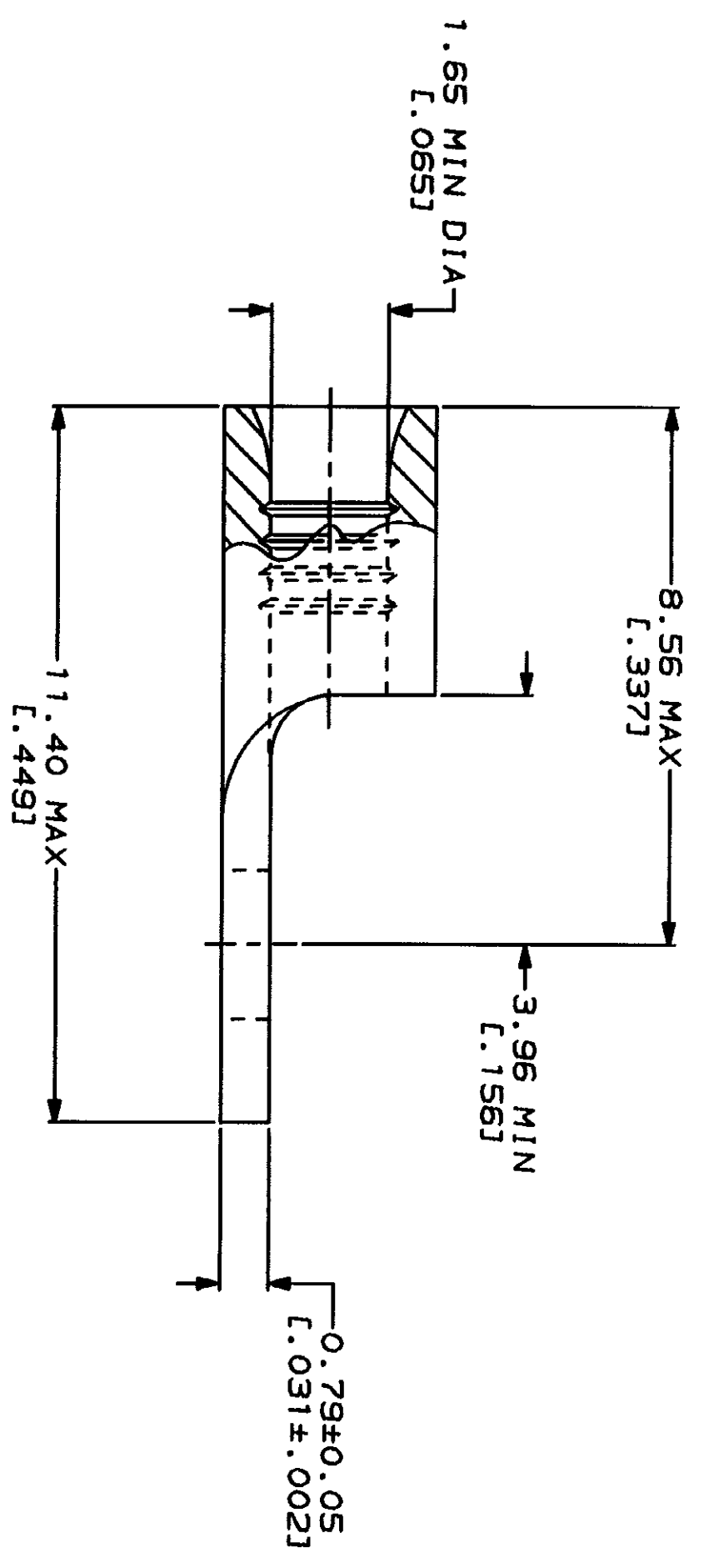
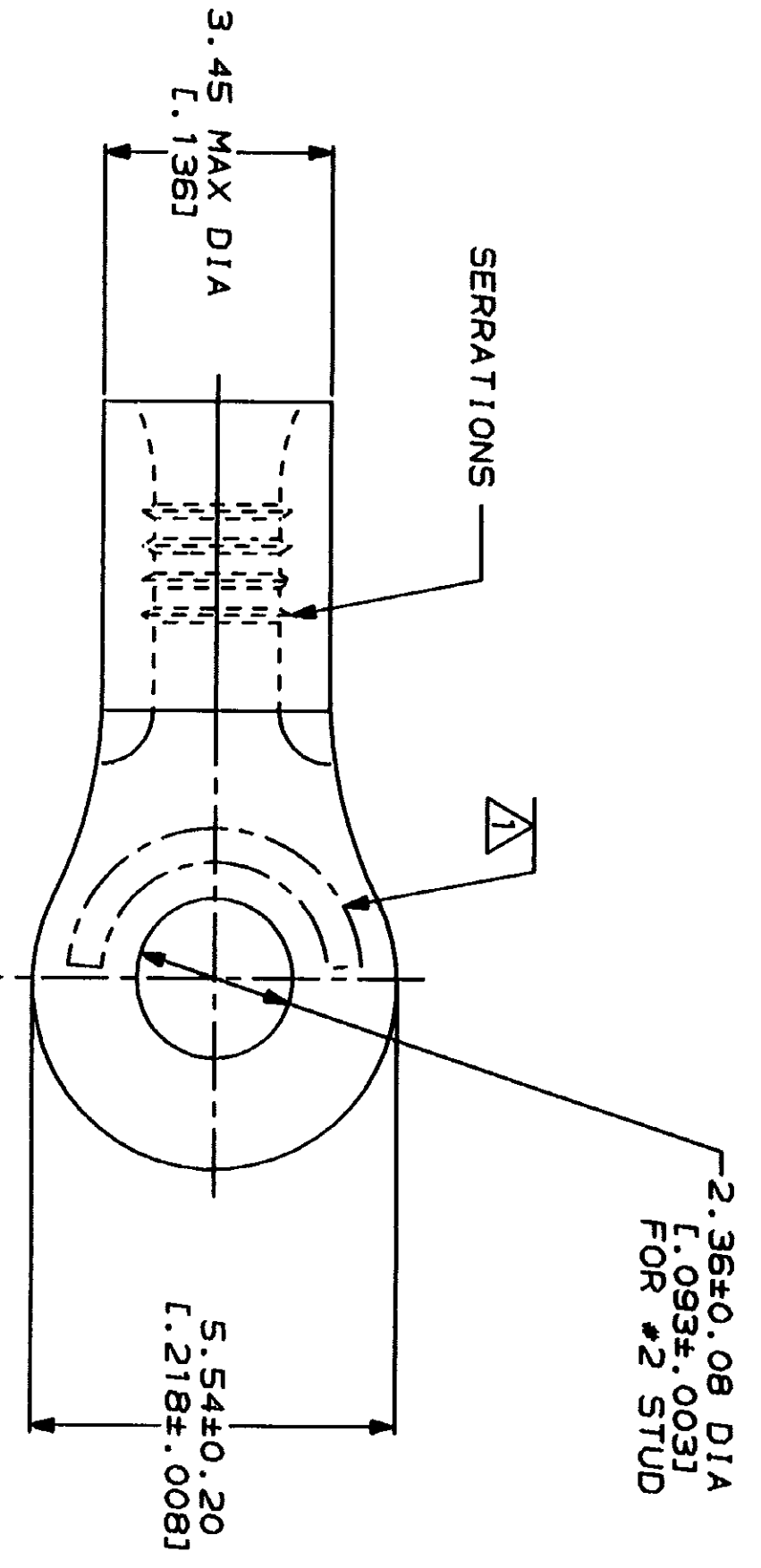


| LOC | QTY | REV | DESCRIPTION | DATE | APPD |
|-----|-----|-----|--------------------------|---------|------|
| G | 14 | | REVISED PER 0720-0230-93 | 2/28/94 | JAM |

METPRIO
DIMENSIONS LISTED IN mm [INCHES]



| | |
|---|-------------------------------|
| AMP WIRE RANGE 22-16 AWG STRANDED | UL E13288 Listed |
| • LR7189 Certified | MILITARY P/N AND CLASS |
| NOT CERTIFIED | NOT APPLICABLE |

△ STAMP AMP 22-18* APPROX AS SHOWN
22-16 TERMINALS ARE STAMPED 22-18 IN
ACCORDANCE WITH MILITARY SPECIFICATION
MIL-T-7928, COMMERCIAL WIRE RANGE IS 22-16

| | | |
|---|--|--|
| AMP INCORPORATED CUSTOMER SERVICE SYSTEMS | | MAX RECOMMENDED OPERATING TEMPERATURE: 170°C MAX |
| FOR ADDITIONAL PRODUCT INFORMATION OR COPIES OF DRAWINGS AND TECHNICAL DOCUMENTS | PRODUCT INFORMATION CENTER 1-800-522-6752 | VOLTAGE RATING: NOT APPLICABLE |
| FOR APPLICATION TOOLING INFORMATION | TOOLING ASSISTANCE CENTER 1-800-722-1111 | WIRE CROSS SECTIONAL AREA RANGE: 0.26-1.65mm ² [509-3,260] CIR MILS STRANDED |
| FOR ORDER ENTRY | 1-800-526-5142 | THIS DRAWING IS A CONTROLLED DOCUMENT FOR MILITARY AND COMMERCIAL APPLICATIONS. NO REVISION SHOULD BE COMPLETED FOR THE LATEST REVISION. |

| | | |
|---|-----------------------------|---|
| DO NOT SCALE PRINT. UNLESS SPECIFIED DIMENSIONS IN - DIMENSIONS - TOLERANCES ON: 2 PLG DEC ± 3 PLG DEC ± ANGLES ± MATERIAL | DR 1-27-83 TA BRINKMAN | AMP AMP Incorporated Harrisburg, PA 17105-3608 TERMINAL, RING TONGUE, BUDGET |
| FINISH TIN PLATE 0.00254L.0001001 MIN THK PER MIL-T-10727 | CHK 1-27-83 DA PATTERSON | |
| COPPER PER ASTM B-152 ANNEALED | APPD 1-27-83 DE MILLER | |
| APPLICATION SPEC | APPD 1-27-83 JL HECKLEY | NAME |
| SCALE 10:1 | SIZE CAGE CODE 00779 | DRAWING NO 31088 |
| WEIGHT | SCALE 10:1 | SHEET 1 OF 1 |

31088
PART NO

CUSTOMER DRAWING

X-ON Electronics

Largest Supplier of Electrical and Electronic Components

Click to view similar products for [Terminals](#) category:

Click to view products by [TE Connectivity](#) manufacturer:

Other Similar products are found below :

[00-054007-01074-6](#) [00-054007-70206-1](#) [00-054007-70210-8](#) [00-054007-70217-7](#) [00-054007-70226-9](#) [00-054007-70228-3](#) [00-054007-70248-1](#) [00-054007-70256-6](#) [00-054007-70301-3](#) [00-054007-70316-7](#) [0-0320562-0](#) [00-054007-49560-4](#) [00-054007-70209-2](#) [00-054007-70225-2](#) [00-054007-70227-6](#) [00-054007-70231-3](#) [00-054007-70241-2](#) [00-054007-70242-9](#) [00-054007-70244-3](#) [00-054007-70246-7](#) [00-054007-70263-4](#) [00-054007-70288-7](#) [00-054007-70290-0](#) [00-054007-70300-6](#) [00-054007-70304-4](#) [01-2065-1-0216](#) [01-2900-1-04412](#) [00581P0075](#) [600TS-10](#) [60205-1](#) [604200-1](#) [605601-1](#) [60598-1-CUT-TAPE](#) [61314-6-C](#) [61810-3](#) [61-S](#) [61-SN](#) [626-0194](#) [62-NBM-A](#) [62-SN](#) [62-SP](#) [63-S](#) [640179-1](#) [M55155/059I03](#) [M55155/079C01](#) [M55155/099H02](#) [M55155/109H01](#) [M55155/109H02](#) [M55155/12XH05](#) [M55155/16XH02](#)