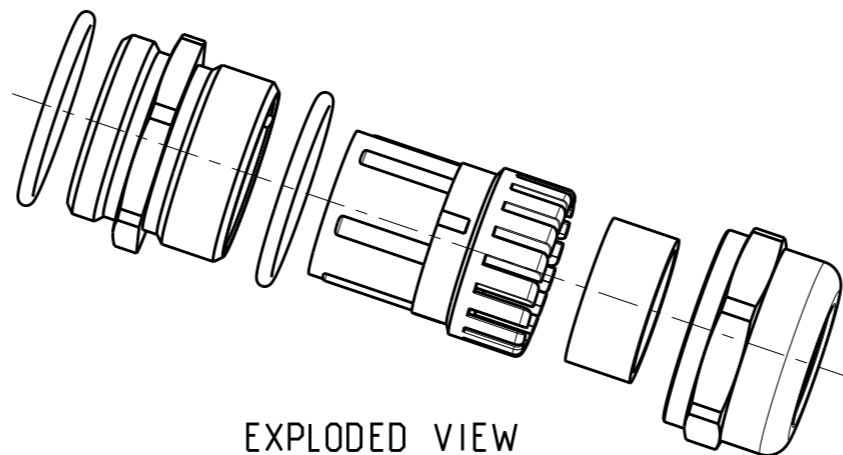
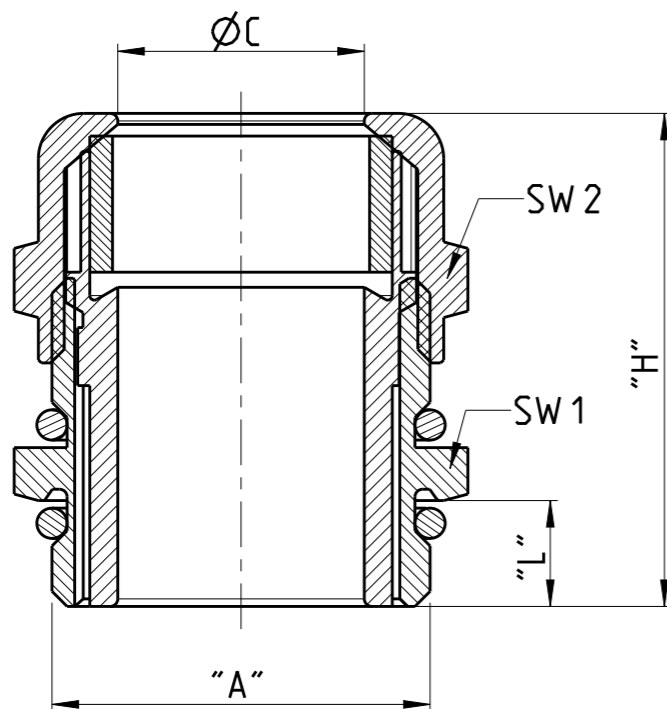


THIS DRAWING IS UNPUBLISHED. RELEASED FOR PUBLICATION 20
 © COPYRIGHT 20 BY - ALL RIGHTS RESERVED.

REVISIONS

P	LTR	DESCRIPTION	DATE	DWN	APVD
A3		REVISED PER ECO-11-010801	25MAY2011	HMR	MM
A4		ECR-15-008928	25JUN2015	GSK	JB
A5		REVISED PER ECR-17-014412	03APR18	NG	MKO

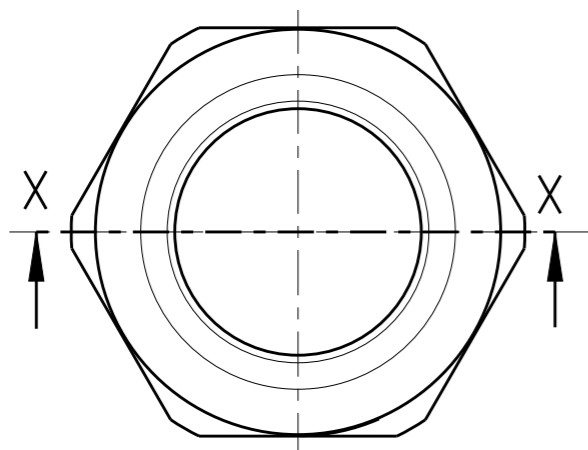
X-X
2:1



EXPLODED VIEW

Notes

- MATERIALS:
 DOME NUT AND GLAND BODY - POLYAMIDE PA6 V-2
 SEALING RING - POLYCHLOROPRENE-NITRILE RUBBER CR/NBR



3	SUPERSEDED BY T3209501222-001 OR T3209501202-001	5-0	HUT.M50.P	M50x1.5	27-35	55	61.5	12
3	SUPERSEDED BY T3209401222-001	4-0	HUT.M40.P	M40x1.5	19-28	46	51	10
3	SUPERSEDED BY T3209321212-001 OR T3209321222-001	3-2	HUT.M32.P	M32x1.5	15-21	36	50	10
4	SUPERSEDED BY T3209251212-001 OR T3209251222-001	2-5	HUT.M25.P	M25x1.5	11-17	29	43	8
4	SUPERSEDED BY T3209201212-001 OR T3209201222-001 OR T3209201202-001	2-0	HUT.M20.P	M20x1.5	8-13	24	36	8
4	SUPERSEDED BY T3209161212-001 OR T3209161222-001 OR T3209161202-001	1-6	HUT.M16.P	M16x1.5	5-10	20	35.5	8

PART NO.	DESCRIPTION	"A"	Ø"C"	"SW 1&SW 2"	"H"	"L"
		DIMENSIONS (mm)				

THIS DRAWING IS A CONTROLLED DOCUMENT.		DWN JS 27.03.2006			
		CHK TS 27.03.2006			
		APVD TS 27.03.2006	NAME ASS'Y CABLE GLAND SERIES HUT-P. METRIC		
DIMENSIONS: mm		PRODUCT SPEC -	SIZE A3		
TOLERANCES UNLESS OTHERWISE SPECIFIED:		APPLICATION SPEC -	CAGE CODE -		
0 PLC ±		WEIGHT -	DRAWING NO C-1102771		
1 PLC ±		RESTRICTED TO -			
2 PLC ±		SCALE 5:1			
3 PLC ±		SHEET 1 OF 1			
4 PLC ±		REV A5			
ANGLES ±		Customer Drawing			
FINISH -					

X-ON Electronics

Largest Supplier of Electrical and Electronic Components

Click to view similar products for [Heavy Duty Power Connectors](#) category:

Click to view products by [TE Connectivity](#) manufacturer:

Other Similar products are found below :

[647757-1](#) [6643411-1](#) [6646058-2](#) [6646137-1](#) [6646138-1](#) [6646479-1](#) [6646608-1](#) [6646786-1](#) [6646940-1](#) [6651091-1](#) [6651525-1](#) [6651529-1](#)
[6651788-1](#) [696475-1](#) [702-32-01109](#) [703-25-02205](#) [73000005059](#) [73000005642](#) [73080255059](#) [73080965046](#) [765-15-0080A](#) [765-16-0080B](#)
[765-18-0080D](#) [829992-1](#) [902-77-02113](#) [PS00/A0620/6300](#) [PS25/A0420/63](#) [129-1J](#) [1409400](#) [AN0024023](#) [E6374G1](#) [e6389g2](#) [157-43GW8](#)
[MS3117-14AC](#) [1643543-1](#) [1650540-1](#) [1651811-2](#) [1766260-1](#) [1766282-1](#) [1766966-1](#) [1791340000](#) [NLDFT-3-BL-L-S120-M40A](#) [NLDFT-N-](#)
[W-L-C240-M40B](#) [NLS-2-R-C240-M40B](#) [NLS-N-W-C240-M40B](#) [NPS-3-BL-T6](#) [1986615-1](#) [2-1589900-8](#) [2199314-1](#) [KA8102](#)