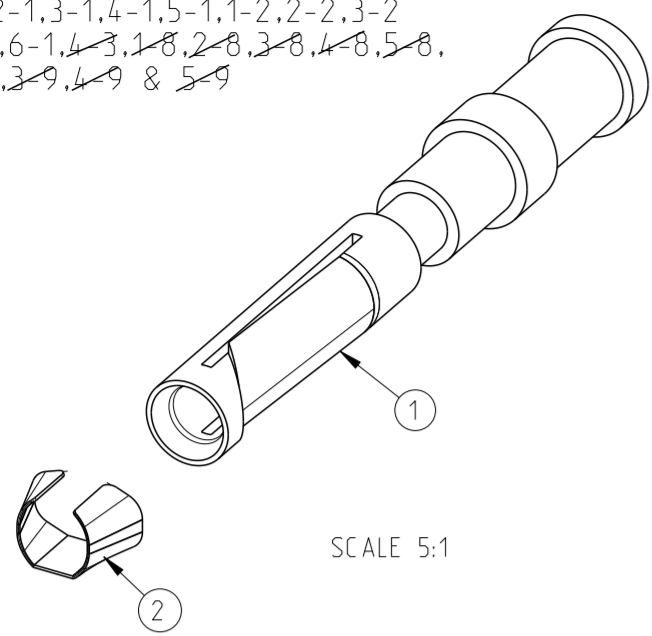
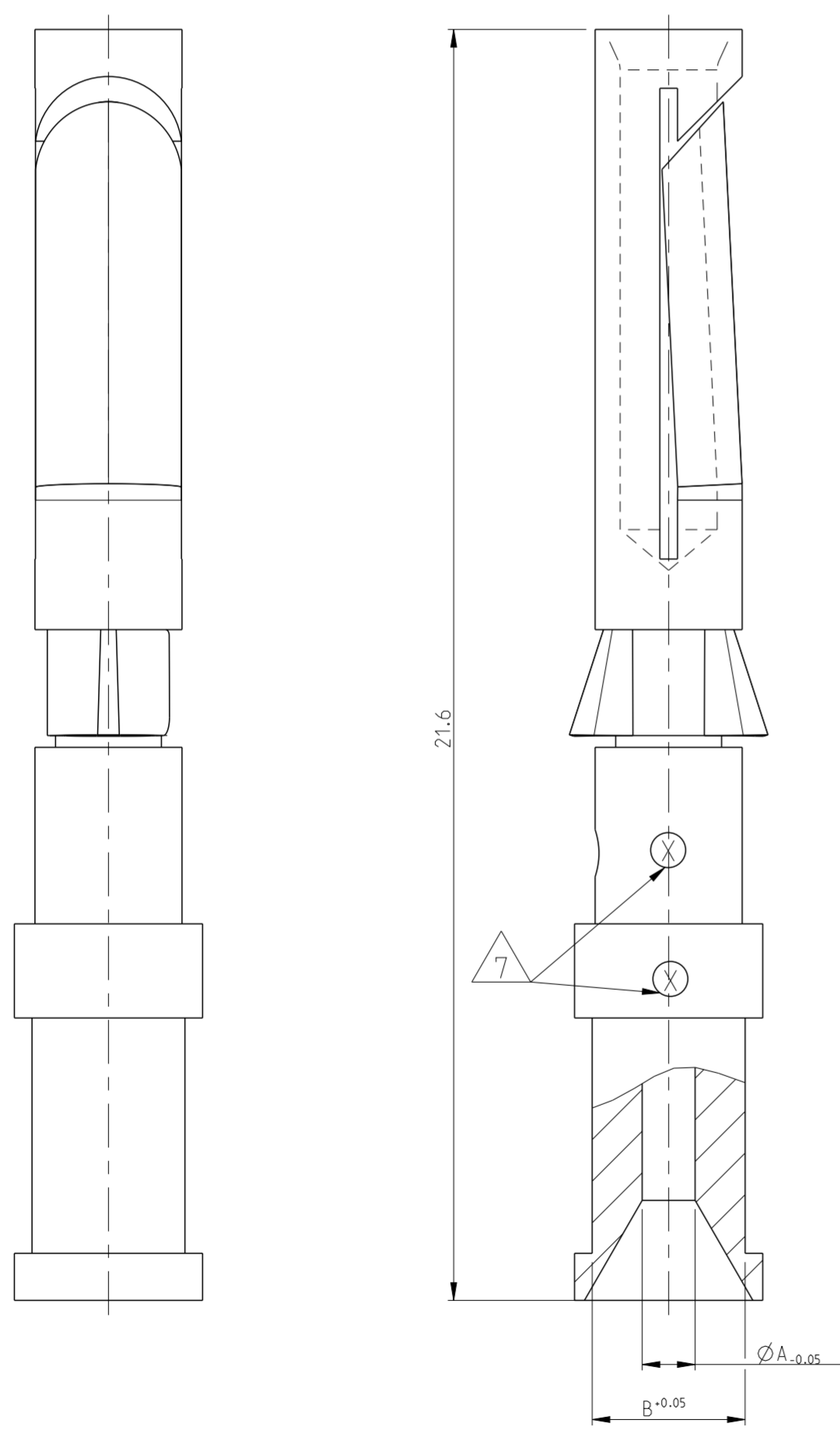


THIS DRAWING IS UNPUBLISHED. RELEASED FOR PUBLICATION 1997
 © COPYRIGHT 1997 ALL RIGHTS RESERVED.

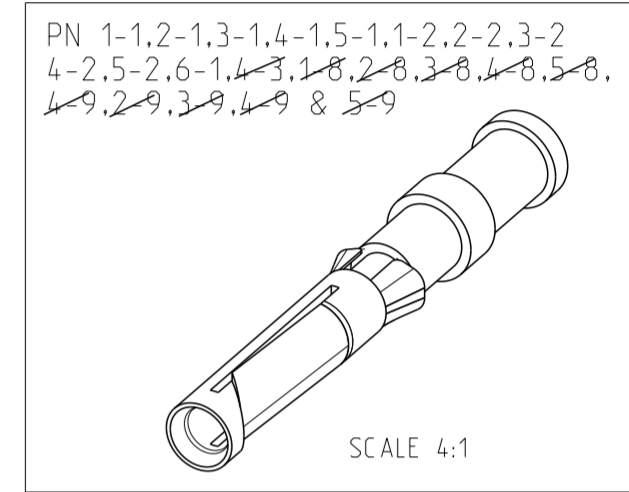
PN 1-1.2-1.3-1.4-1.5-1.1-2.2-2.3-2
 4-2.5-2.6-1.4-3.1-8.2-8.3-8.4-8.5-8.
~~4-9.2-9.3-9.4-9 & 5-9~~



PN 1-1.2-1.3-1.4-1.5-1.1-2.2-2.3-2
 4-2.5-2.6-1.4-3.1-8.2-8.3-8.4-8.5-8.
~~4-9.2-9.3-9.4-9 & 5-9~~



- NOTES
- 1 MATERIAL SEE TABLE
 - 2 SURFACE SEE TABLE
 - 3 ASSEMBLY WEIGHT SEE TABLE
 - 4 PACKAGING: 50 PIECES IN POLY-BAG 0-1243085-8
 - 5 PACKAGING: 500 PIECES IN POLY-BAG 0-1243085-8
 - 6 PACKAGING: 10 PIECES IN POLY-BAG 0-1243085-8
 - 7 CROSS-SECTION MARKING



| QTY | DESCRIPTION | WEIGHT IN (KG) | MATERIAL | SURFACE | ϕA | ϕB | CROSS SECTION MARKING | POS |
|-----|--|----------------|-----------------|---------|----------|----------|-----------------------|-----|
| 1 | Catch Spring | | Stainless Steel | | | | | 2 |
| 1 | Socket Contact 1.5 mm ² | 0.00062 | Brass | Ag/Ni | 1.8 | 3.0 | 4 | |
| 1 | Socket Contact 4.0 mm ² | 0.00059 | Brass | Ag/Ni | 2.4 | 3.2 | 6 | |
| 1 | Socket Contact 2.5 mm ² | 0.00067 | Brass | Au | 2.2 | 3.2 | 5 | |
| 1 | Socket Contact 1.5 mm ² | 0.00067 | Brass | Au | 1.8 | 3.0 | 4 | |
| 1 | Socket Contact 0.75-10 mm ² | 0.00063 | Brass | Au | 1.45 | 2.6 | 3 | |
| 1 | Socket Contact 0.5 mm ² | 0.00062 | Brass | Au | 1.1 | 2.6 | 2 | |
| 1 | Socket Contact 0.14-0.37 mm ² | 0.00061 | Brass | Au | 0.9 | 2.6 | 1 | |
| 1 | Socket Contact 2.5 mm ² | 0.00065 | Brass | Ag/Cu | 2.2 | 3.2 | 5 | 1 |
| 1 | Socket Contact 1.5 mm ² | 0.00067 | Brass | Ag/Cu | 1.8 | 3.0 | 4 | |
| 1 | Socket Contact 0.75-10 mm ² | 0.00063 | Brass | Ag/Cu | 1.45 | 2.6 | 3 | |
| 1 | Socket Contact 0.5 mm ² | 0.00062 | Brass | Ag/Cu | 1.1 | 2.6 | 2 | |
| 1 | Socket Contact 0.14-0.37 mm ² | 0.00061 | Brass | | 0.9 | 2.6 | 1 | |
| 1 | Socket Contact 0.14-0.37 mm ² | 0.00065 | Fe | Au | 0.9 | 2.6 | 1 | |
| 1 | Socket Contact 0.14-0.37 mm ² | 0.00067 | Brass | Ag/Cu | 0.9 | 2.6 | 1 | |

THIS DRAWING IS A CONTROLLED DOCUMENT.

DWN Braun 23.07.1997
 CHK Schurpfeil 23.07.1997
 APVD -

PRODUCT SPEC 108-74018
 APPLICATION SPEC 114-74015
 WEIGHT -

NAME SOCKET CONTACT SERIES HN.D

SIZE A2 CAGE CODE 00779 DRAWING NO C-1105051 RESTRICTED TO -

CUSTOMER DRAWING SCALE 10:1 SHEET 1 OF 1 REV B5

X-ON Electronics

Largest Supplier of Electrical and Electronic Components

Click to view similar products for [Heavy Duty Power Connectors](#) category:

Click to view products by [TE Connectivity](#) manufacturer:

Other Similar products are found below :

[1424439](#) [1424438](#) [09330062652](#) [605601-1](#) [6340G1](#) [6341G1](#) [6360G1](#) [6373G1](#) [6374g2](#) [6396G1](#) [647757-1](#) [6643411-1](#) [6646058-2](#) [6646137-1](#)
[6646138-1](#) [6646348-1](#) [6646479-1](#) [6646608-1](#) [6646786-1](#) [6646940-1](#) [6651525-1](#) [6651529-1](#) [6651778-1](#) [6651788-1](#) [696465-1](#) [696475-1](#)
[73000005059](#) [73000005349](#) [73000005642](#) [73080965046](#) [765-15-0080A](#) [765-16-0080B](#) [789.700-44](#) [789.700-54](#) [80-1010](#) [80-9](#) [827381-1](#)
[829992-1](#) [902-77-02113](#) [PL00U-301-10D10](#) [PM103MOOLOO](#) [PM212MOOLOO](#) [PM309FOOLOO](#) [PM324FOOLCH](#) [PMHPAF11S03](#)
[PMHPAF14S01](#) [PMHPAM14P05](#) [PMHPAS06](#) [PMHPBF14S01](#) [PP45PC12S](#)