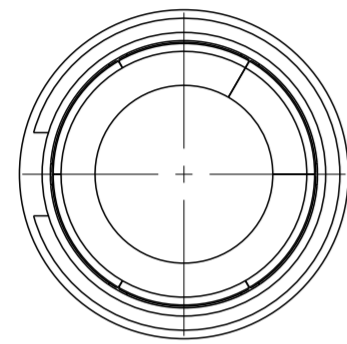


THIS DRAWING IS UNPUBLISHED. RELEASED FOR PUBLICATION 2006
 © COPYRIGHT 2006 ALL RIGHTS RESERVED.

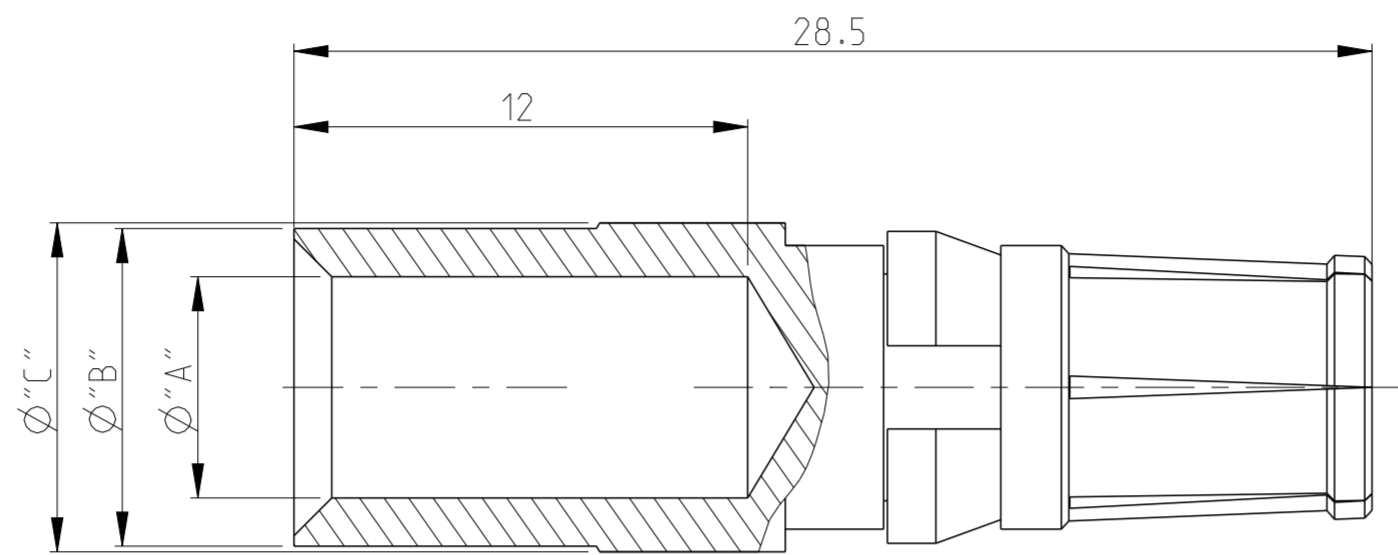
LOC	DIST	REVISIONS					
		P	LTR	DESCRIPTION	DATE	DWN	APVD
B1	-	C4		ECR-11-021594	11NOV2011	RK	MKO
		C5		ECR-14-007793	25AUG2014	RK	MKO
		C6		REVISED PER ECR-16-016780	19AUG2017	NG	MKO
		C7		REVISED PER ECR-19-008419	04JUN2019	SR	MKO

Notes

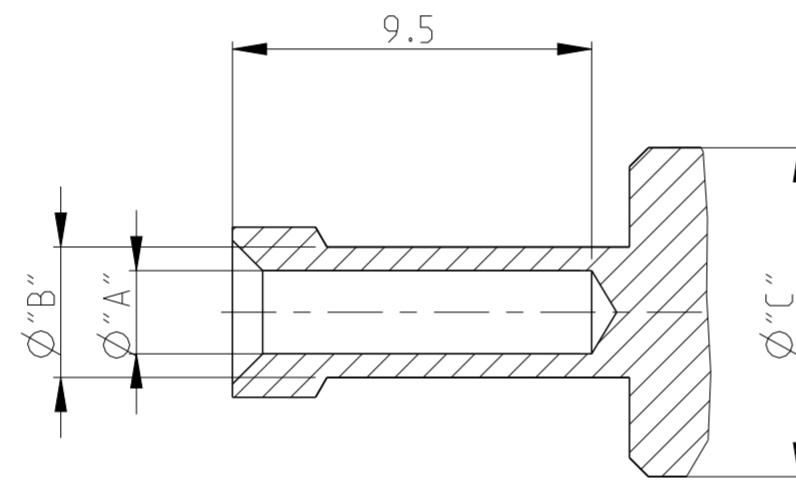
- 1 MATERIAL: BRASS
- 2 FINISH SILVER PLATING: 2 µm Ag MIN. OVER Cu
- 3 FINISH GOLD PLATING: 0.75 µm Au MIN. OVER Ni
- 4 WEIGHT (MAX.): 7.1 g, VOLUME (MAX.): 795mm² (APPROX.)
- 5 SUITABLE PIN CONTACT: CUSTOMER DRAWING 1105150
- 6 SUITABLE INSERTS: SERIES HSS, CUSTOMER DRAWING
- 7 SUITABLE CRIMP TOOL: PN 1-1105850-8
- 8 SUITABLE INSERTION TOOL: -
- 9 SUITABLE EXTRACTION TOOL: PN 0-1102855-5
- 10 FINE WIRE DIA. MAX. Ø4.5
- 11 STANDARDS: DIN EN 61984, DIN EN 60664-1
- 12 PACKAGING: 25 PIECES IN A POLY-BAG
- 13 PACKAGING: 1 PIECE LOOSE



WIRE CROSS-SECTION:
 Ø6mm² - 16mm²



WIRE CROSS-SECTION:
 Ø2.5mm² / 4mm²



ORDERING TEXT	PLATING	CROSS SECTION	DIMENSIONS			STRIPPING-LENGTH	WITH CLIP		
OBSOLETE	GOLD	HSS-C-Bu.Au.16.0 mm ²	16.0	5.85	8.4	8.7	12	5-2	9-3
		HSS-C-Bu.Au.10.0 mm ²	10.0	4.35	5.9	8.7	12	4-2	9-2
		HSS-C-Bu.Au.6.0 mm ²	6.0	3.5	4.9	8.7	12	3-2	9-1
	SILVER	HSS-C-Bu.Ag.25.0 mm ²	25.0	7.0	9.45	9.6	12	6-1	8-7
		HSS-C-Bu.Ag.16.0 mm ²	16.0	5.85	8.4	8.7	12	5-1	8-6
10 OBSOLETE		HSS-C-Bu.Ag.10.0 mm ² -fine	10.0	4.6	5.9	8.7	12	4-3	8-5
		HSS-C-Bu.Ag.10.0 mm ²	10.0	4.35	5.9	8.7	12	4-1	8-4
		HSS-C-Bu.Ag.6.0 mm ²	6.0	3.5	4.9	8.7	12	3-1	8-3
		HSS-C-Bu.Ag.4.0 mm ²	4.0	2.8	3.9	8.7	12	2-1	8-2
		HSS-C-Bu.Ag.2.5 mm ²	2.5	2.2	3.45	8.7	12	1-1	8-1
			[MM ²]	"A"	"B"	"C"	[MM]	PN	PN

PARTS LIST

THIS DRAWING IS A CONTROLLED DOCUMENT.

DWN: K. SCHROEDER 10APR2008
 CHK: H. BRAUN 10APR2008
 APVD: T. SCHNURPFEL 10APR2008

STE TE Connectivity

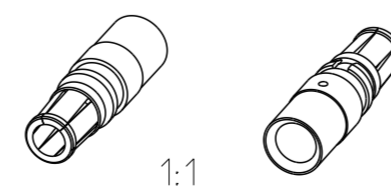
NAME: SOCKET CONTACT SERIES HSS

PRODUCT SPEC: 108-74016
 APPLICATION SPEC: 114-74028

SIZE: A2 CAGE CODE: 00779 DRAWING NO: 1105151 RESTRICTED TO: -

WEIGHT: - SCALE: 5:1 SHEET 1 OF 1 REV: C7

Customer Drawing



X-ON Electronics

Largest Supplier of Electrical and Electronic Components

Click to view similar products for [Heavy Duty Power Connectors](#) category:

Click to view products by [TE Connectivity](#) manufacturer:

Other Similar products are found below :

[647757-1](#) [6643411-1](#) [6646058-2](#) [6646137-1](#) [6646138-1](#) [6646479-1](#) [6646608-1](#) [6646786-1](#) [6646940-1](#) [6651091-1](#) [6651525-1](#) [6651529-1](#)
[6651788-1](#) [696475-1](#) [702-32-01109](#) [703-25-02205](#) [73000005059](#) [73000005642](#) [73080255059](#) [73080965046](#) [765-15-0080A](#) [765-16-0080B](#)
[765-18-0080D](#) [829992-1](#) [902-77-02113](#) [PS00/A0620/6300](#) [PS25/A0420/63](#) [129-1J](#) [1409400](#) [AN0024023](#) [E6374G1](#) [e6389g2](#) [157-43GW8](#)
[MS3117-14AC](#) [1643543-1](#) [1650540-1](#) [1651811-2](#) [1766260-1](#) [1766282-1](#) [1766966-1](#) [1791340000](#) [NLDFT-3-BL-L-S120-M40A](#) [NLDFT-N-](#)
[W-L-C240-M40B](#) [NLS-2-R-C240-M40B](#) [NLS-N-W-C240-M40B](#) [NPS-3-BL-T6](#) [1986615-1](#) [2-1589900-8](#) [2199314-1](#) [KA8102](#)