

THIS DRAWING IS UNPUBLISHED.

RELEASED FOR PUBLICATION

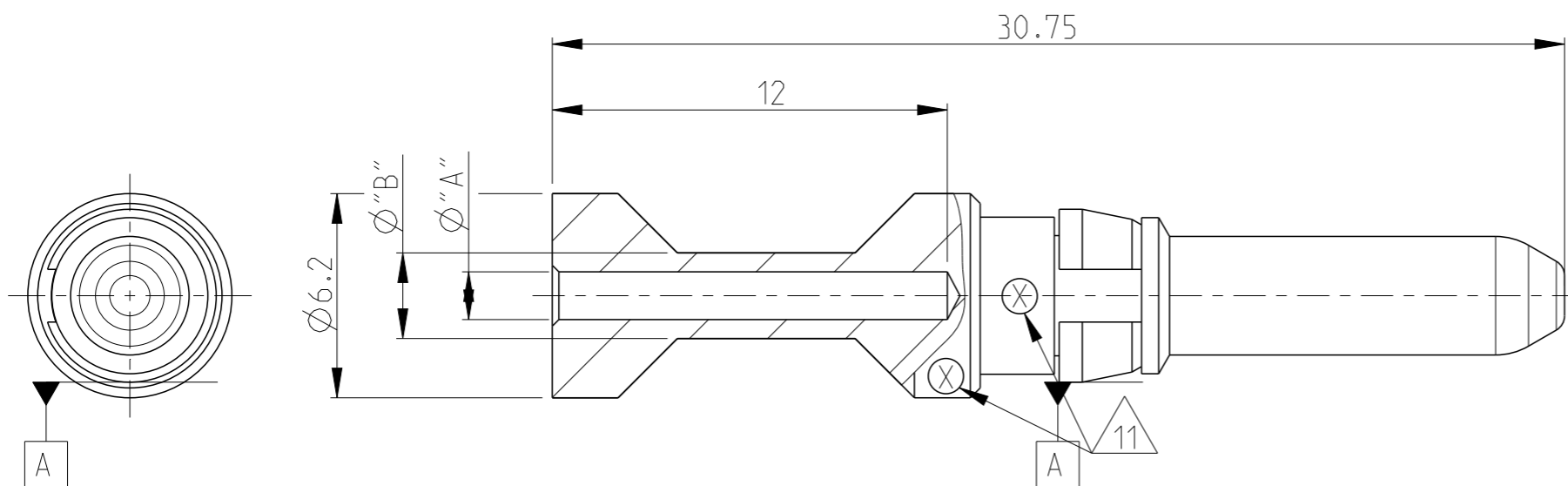
2006

© COPYRIGHT 2006 BY -

ALL RIGHTS RESERVED.

REVISIONS

P	LTR	DESCRIPTION	DATE	DWN	APVD
A2		PN3-2; 5-2; 6-2 OBSOLETE	Eg00-1426-03	17.04.03	SR SM
A3		ECR-09-005436		10MAR2010	VG MH
A4		ECR-16-016696		23AUG2017	GCM MKO



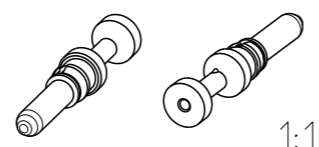
Notes

- 1 MATERIAL: BRASS
- 2 FINISH SILVER PLATING: 2 µm Ag MIN. OVER Cu
- 3 FINISH GOLD PLATING: 0.75 µm Au MIN. OVER Ni
- 4 NO VENTILATION HOLE REQUIRED AT CROSS-SECTION >4.0 MM²
- 5 WEIGHT: 3.33 g, VOLUME: 394mm³ (APPROX.)
- 6 SUITABLE SOCKET CONTACT: CUSTOMER DRAWING 1105251
- 7 SUITABLE INSERTS: SERIES HSM, CUSTOMER DRAWING
- 8 SUITABLE CRIMP TOOL: PN 1-1105850-8
- 9 SUITABLE INSERTION TOOL: PN 0-1102855-6
- 10 SUITABLE EXTRACTION TOOL: PN 0-1102855-4
- 11 CROSS-SECTION MARKING
- 12 STANDARDS: DIN EN 61984, DIN EN 60664-1

ORDERING TEXT	PLATING	CROSS SECTION	DIMENSIONS	CROSS-SECTION MARKINGS	STRIPPING-LENGTH		
OBSOLETE	HSM.Sti.C.Au	10.0mm ²	10	4.35	5.9	8	12
OBSOLETE	HSM.Sti.C.Au	6.0mm ²	6.0	3.5	4.9	7	12
OBSOLETE	HSM.Sti.C.Au	4.0mm ²	4.0	2.85	3.9	6	12
OBSOLETE	HSM.Sti.C.Au	2.5mm ²	2.5	2.2	3.2	5	12
OBSOLETE	HSM.Sti.C.Au	1.5mm ²	1.5	1.8	3.0	4	12
OBSOLETE	HSM.Sti.C.Au	0.75mm ²	0.75-1.0	1.45	2.6	3	12
	HSM.Sti.C.Ag	10.0mm ²	10	4.35	5.9	8	12
	HSM.Sti.C.Ag	6.0mm ²	6.0	3.5	4.9	7	12
	HSM.Sti.C.Ag	4.0mm ²	4.0	2.85	3.9	6	12
	HSM.Sti.C.Ag	2.5mm ²	2.5	2.2	3.2	5	12
	HSM.Sti.C.Ag	1.5mm ²	1.5	1.8	3.0	4	12
	HSM.Sti.C.Ag	0.75mm ²	0.75-1.0	1.45	2.6	3	12
			[MM ²]	"A"	"B"	CROSS-SECTION MARKINGS	[mm]

PARTS LIST

THIS DRAWING IS A CONTROLLED DOCUMENT.		DWN V.GLUMM 10MAR2010	 TE Connectivity		
DIMENSIONS: mm		CHK H.BRAUN 10MAR2010			
TOLERANCES UNLESS OTHERWISE SPECIFIED:		APVD T.SCHNURPFIL 10MAR2010	NAME PIN CONTACT SERIES HSM		
0 PLC ± 1 PLC ± 2 PLC ± 3 PLC ± 4 PLC ± ANGLES ±0.5°		PRODUCT SPEC	RESTRICTED TO		
MATERIAL 1		APPLICATION SPEC	SIZE A3	CAGE CODE 00779	DRAWING NO C=1105250
FINISH 2 3		WEIGHT	SCALE 5:1		SHEET 1 OF 1
		CUSTOMER DRAWING	REV A4		



X-ON Electronics

Largest Supplier of Electrical and Electronic Components

Click to view similar products for [Heavy Duty Power Connectors](#) category:

Click to view products by [TE Connectivity](#) manufacturer:

Other Similar products are found below :

[1424439](#) [1424438](#) [09330062652](#) [605601-1](#) [6340G1](#) [6341G1](#) [6360G1](#) [6373G1](#) [6374g2](#) [6396G1](#) [647757-1](#) [6643411-1](#) [6646058-2](#) [6646137-1](#)
[6646138-1](#) [6646348-1](#) [6646479-1](#) [6646608-1](#) [6646786-1](#) [6646940-1](#) [6651525-1](#) [6651529-1](#) [6651778-1](#) [6651788-1](#) [696465-1](#) [696475-1](#)
[73000005059](#) [73000005349](#) [73000005642](#) [73080965046](#) [765-15-0080A](#) [765-16-0080B](#) [789.700-44](#) [789.700-54](#) [80-1010](#) [80-9](#) [827381-1](#)
[829992-1](#) [902-77-02113](#) [PL00U-301-10D10](#) [PM103MOOLOO](#) [PM212MOOLOO](#) [PM309FOOLOO](#) [PM324FOOLCH](#) [PMHPAF11S03](#)
[PMHPAF14S01](#) [PMHPAM14P05](#) [PMHPAS06](#) [PMHPBF14S01](#) [PP45PC12S](#)