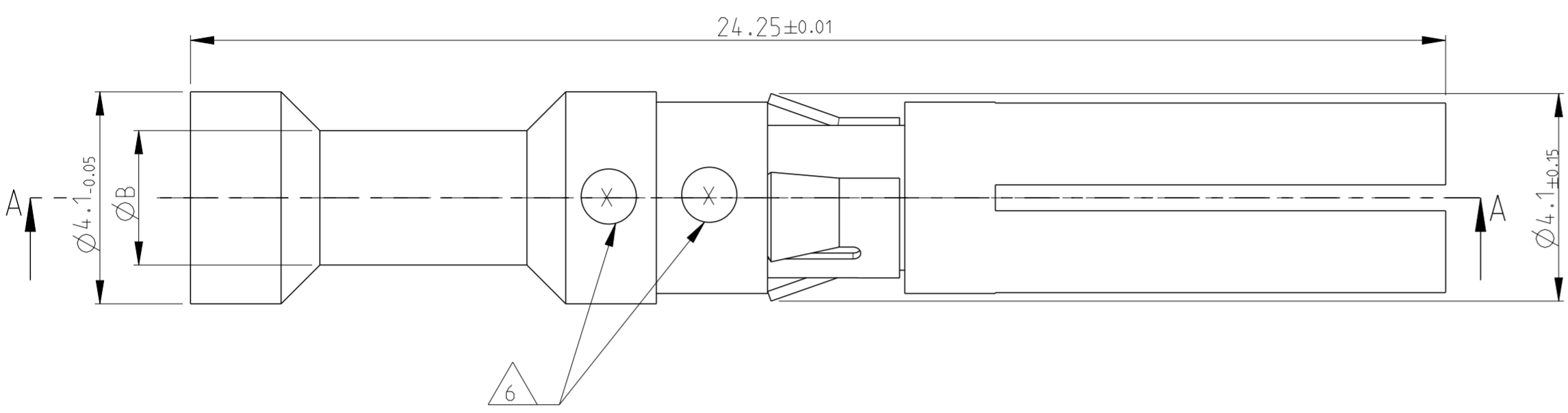


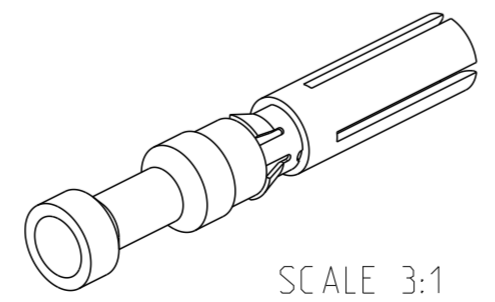
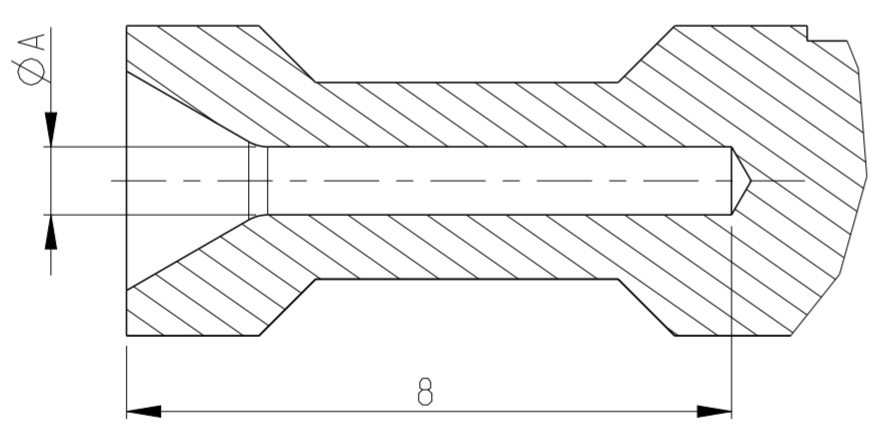
THIS DRAWING IS UNPUBLISHED. RELEASED FOR PUBLICATION. ALL RIGHTS RESERVED.

LOC	DIST	REVISIONS					
		P	LTR	DESCRIPTION	DATE	DWN	APVD
A1	-	G2		REVISED PER ECO-11-005150	31MAR2011	RK	HMR
		G3		ECR-16-016696	31AUG2017	GR	MKO



- NOTES
- 1 MATERIAL SEE TABLE
 - 2 SURFACE SEE TABLE
 - 3 ASSEMBLY WEIGHT SEE TABLE
 - 4 PACKAGING: 50 PIECES IN POLYBAG
 - 5 PACKAGING: 500 PIECES IN POLYBAG & CARTON
 - 6 CROSS-SECTION MARKING
 - 7 NO VENTILATION HOLE REQUIRED AT CROSS SECTION >4.0mm²
 - 8 SUITABLE PIN CONTACT: PN 1105300
 - 9 SUITABLE INSERTS: SERIES HVT
 - 10 SUITABLE CRIMP TOOL: PN 1-1105851-8
 - 11 SUITABLE INSERTION TOOL: PN 0-1102855-6
 - 12 SUITABLE EXTRACTION TOOL: PN 0-1102855-3
 - 13 STANDARDS: DIN EN 61984, DIN EN 60664-1

SECTION A-A



OBSOLETE										ASSEMBLY WEIGHT IN (Kg) 3													
0.00142	0.00144	0.00148	0.00145	0.00149	0.00150	0.00144	0.00148	0.00145	0.00149	0.00150													
1	1	1	1	1	1	1	1	1	1	1													
											Socket Contact 4.0 mm ²	CuZn39Pb3 F50	GOLD PLATING	2.85	3.9	6	1						
											Socket Contact 2.5 mm ²			2.2	3.2	5							
											Socket Contact 1.5 mm ²			1.8	3.0	4							
											Socket Contact 0.75-1.0 mm ²			1.45	2.6	3							
											Socket Contact 0.5 mm ²			1.1	2.6	2							
											Socket Contact 0.13-0.4 mm ²		0.9	2.6	1								
											Socket Contact 14 AWG		2.0	3.2	8								
											Socket Contact 12 AWG		2.55	3.6	9								
											Socket Contact 10 AWG		3.2	4.1	7								
											Socket Contact 4.0 mm ²		2.85	3.9	6								
											Socket Contact 2.5 mm ²	2.2	3.2	5									
											Socket Contact 1.5 mm ²	1.8	3.0	4									
											Socket Contact 0.75-1.0 mm ²	1.45	2.6	3									
											Socket Contact 0.5 mm ²	1.1	2.6	2									
											Socket Contact 0.13-0.4 mm ²	0.9	2.6	1									
5-2	4-2	3-2	2-2	1-2	6-2	8-2	9-1	7-2	5-1	4-1	3-1	2-1	1-1	6-1	DESCRIPTION	MATERIAL	SURFACE	ØA	ØB	CROSS SECTION MARKING	ITEM NO		
5-9	4-9	3-9	2-9	1-9	6-9	8-8	9-8	7-8	5-8	4-8	3-8	2-8	1-8	6-8									
HVT-C-Bu-Au-4.0 mm ²																							
HVT-C-Bu-Au-2.5 mm ²																							
HVT-C-Bu-Au-1.5 mm ²																							
HVT-C-Bu-Au-0.75-1.0 mm ²																							
HVT-C-Bu-Au-0.5 mm ²																							
HVT-C-Bu-Au-0.13-0.4 mm ²																							
HVT-C-Bu-Ag-AWG-14																							
HVT-C-Bu-Ag-AWG-12																							
HVT-C-Bu-Ag-AWG-10																							
HVT-C-Bu-Ag-4.0 mm ²																							
HVT-C-Bu-Ag-2.5 mm ²																							
HVT-C-Bu-Ag-1.5 mm ²																							
HVT-C-Bu-Ag-0.75-1.0 mm ²																							
HVT-C-Bu-Ag-0.5 mm ²																							
HVT-C-Bu-Ag-0.13-0.4 mm ²																							
ORDERING TEXT																							

THIS DRAWING IS A CONTROLLED DOCUMENT.

DWN: G. WROBLEWSKI 04 SEP. 2007
 CHK: T. SCHNURPFELT 04 SEP. 2007
 APVD: T. SCHNURPFELT 04 SEP. 2007

TE Connectivity

SOCKET CONTACT SERIES HVT

SIZE: A2 CAGE CODE: 100779 DRAWING NO: C-1105301 RESTRICTED TO: -

CUSTOMER DRAWING SCALE: 10:1 SHEET 1 OF 1 REV: G3

X-ON Electronics

Largest Supplier of Electrical and Electronic Components

Click to view similar products for [Heavy Duty Power Connectors](#) category:

Click to view products by [TE Connectivity](#) manufacturer:

Other Similar products are found below :

[647757-1](#) [6643411-1](#) [6646058-2](#) [6646137-1](#) [6646138-1](#) [6646479-1](#) [6646608-1](#) [6646786-1](#) [6646940-1](#) [6651091-1](#) [6651525-1](#) [6651529-1](#)
[6651788-1](#) [696475-1](#) [702-32-01109](#) [703-25-02205](#) [73000005059](#) [73000005642](#) [73080255059](#) [73080965046](#) [765-15-0080A](#) [765-16-0080B](#)
[765-18-0080D](#) [829992-1](#) [902-77-02113](#) [PS00/A0620/6300](#) [PS25/A0420/63](#) [129-1J](#) [1409400](#) [AN0024023](#) [E6374G1](#) [e6389g2](#) [157-43GW8](#)
[MS3117-14AC](#) [1643543-1](#) [1650540-1](#) [1651811-2](#) [1766260-1](#) [1766282-1](#) [1766966-1](#) [1791340000](#) [NLDFT-3-BL-L-S120-M40A](#) [NLDFT-N-](#)
[W-L-C240-M40B](#) [NLS-2-R-C240-M40B](#) [NLS-N-W-C240-M40B](#) [NPS-3-BL-T6](#) [1986615-1](#) [2-1589900-8](#) [2199314-1](#) [KA8102](#)