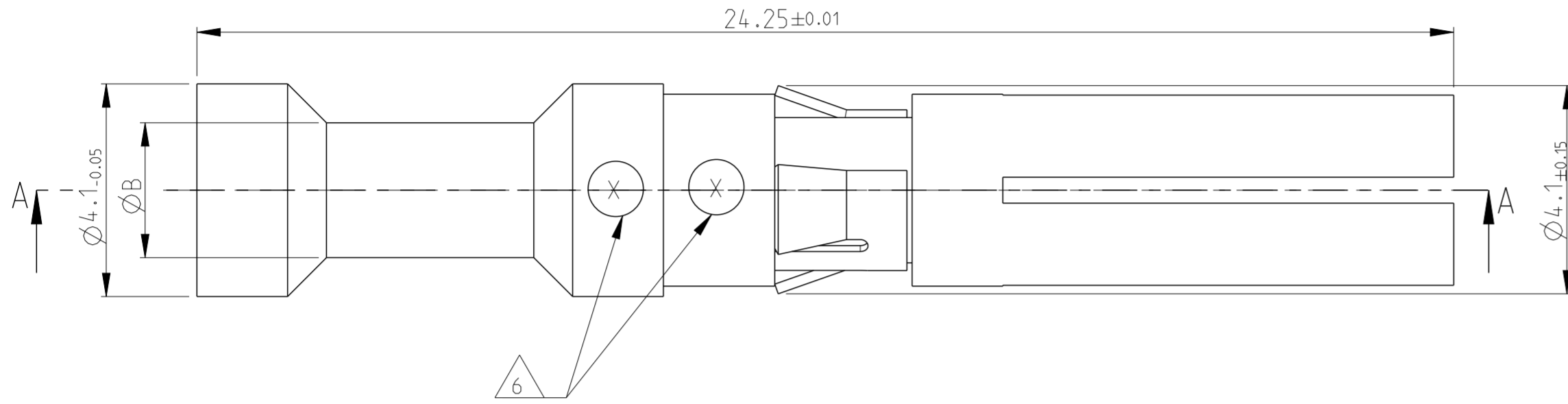


THIS DRAWING IS UNPUBLISHED. RELEASED FOR PUBLICATION
 © COPYRIGHT - ALL RIGHTS RESERVED.

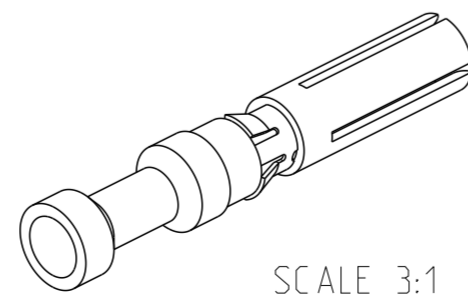
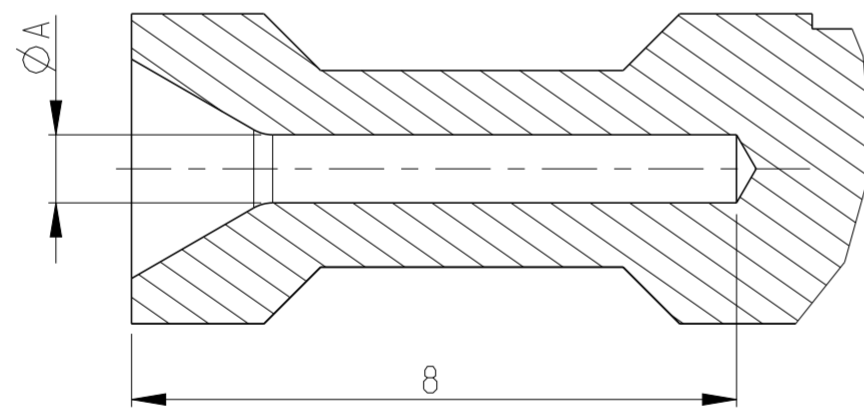
LOC	DIST	REVISIONS					
		P	LTR	DESCRIPTION	DATE	DWN	APVD
A1	-	G2		REVISED PER ECO-11-005150	31MAR2011	RK	HMR
		G3		ECR-16-016696	31AUG2017	GR	MKO



NOTES

- 1 MATERIAL SEE TABLE
- 2 SURFACE SEE TABLE
- 3 ASSEMBLY WEIGHT SEE TABLE
- 4 PACKAGING: 50 PIECES IN POLYBAG
- 5 PACKAGING: 500 PIECES IN POLYBAG & CARTON
- 6 CROSS-SECTION MARKING
- 7 NO VENTILATION HOLE REQUIRED AT CROSS SECTION >4.0mm²
- 8 SUITABLE PIN CONTACT: PN 1105300
- 9 SUITABLE INSERTS: SERIES HVT
- 10 SUITABLE CRIMP TOOL: PN 1-1105851-8
- 11 SUITABLE INSERTION TOOL: PN 0-1102855-6
- 12 SUITABLE EXTRACTION TOOL: PN 0-1102855-3
- 13 STANDARDS: DIN EN 61984, DIN EN 60664-1

SECTION A-A



SCALE 3:1

ASSEMBLY WEIGHT IN (Kg) ³														
0.00142	0.00144	0.00148	0.00145	0.00149	0.00150	0.00144	0.00148	0.00145	0.00149	0.00150	ITEM NO			
1	1	1	1	1	1	1	1	1	1	1	1	1		
5-2	4-2	3-2	2-2	1-2	6-2	8-2	9-1	7-2	5-1	4-1	3-1	2-1	1-1	6-1
5-9	4-9	3-9	2-9	1-9	6-9	8-8	9-8	7-8	5-8	4-8	3-8	2-8	1-8	6-8
HVT-C-Bu-Au-4.0 mm ²	HVT-C-Bu-Au-2.5 mm ²	HVT-C-Bu-Au-1.5 mm ²	HVT-C-Bu-Au-0.75-1.0 mm ²	HVT-C-Bu-Au-0.5 mm ²	HVT-C-Bu-Au-0.13-0.4 mm ²	HVT-C-Bu-Ag-AWG-14	HVT-C-Bu-Ag-AWG-12	HVT-C-Bu-Ag-AWG-10	HVT-C-Bu-Ag-4.0 mm ²	HVT-C-Bu-Ag-2.5 mm ²	HVT-C-Bu-Ag-1.5 mm ²	HVT-C-Bu-Ag-0.75-1.0 mm ²	HVT-C-Bu-Ag-0.5 mm ²	HVT-C-Bu-Ag-0.13-0.4 mm ²
ORDERING TEXT														

THIS DRAWING IS A CONTROLLED DOCUMENT.

DWN	G. WROBLEWSKI	04 SEP. 2007
CHK	T. SCHNURPFELT	04 SEP. 2007
APVD	T. SCHNURPFELT	04 SEP. 2007
PRODUCT SPEC	-	
APPLICATION SPEC	-	
WEIGHT	-	
CUSTOMER DRAWING	SCALE 10:1	SHEET 1 OF 1

STE TE Connectivity

SOCKET CONTACT SERIES HVT

SIZE A2 CAGE CODE 100779 DRAWING NO. C-1105301 RESTRICTED TO -

REV G3

X-ON Electronics

Largest Supplier of Electrical and Electronic Components

Click to view similar products for [Heavy Duty Power Connectors](#) category:

Click to view products by [TE Connectivity](#) manufacturer:

Other Similar products are found below :

[647757-1](#) [6643411-1](#) [6646058-2](#) [6646137-1](#) [6646138-1](#) [6646479-1](#) [6646608-1](#) [6646786-1](#) [6646940-1](#) [6651091-1](#) [6651525-1](#) [6651529-1](#)
[6651788-1](#) [696475-1](#) [702-32-01109](#) [703-25-02205](#) [73000005059](#) [73000005642](#) [73080255059](#) [73080965046](#) [765-15-0080A](#) [765-16-0080B](#)
[765-18-0080D](#) [829992-1](#) [902-77-02113](#) [PS00/A0620/6300](#) [PS25/A0420/63](#) [129-1J](#) [1409400](#) [AN0024023](#) [E6374G1](#) [e6389g2](#) [157-43GW8](#)
[MS3117-14AC](#) [1643543-1](#) [1650540-1](#) [1651811-2](#) [1766260-1](#) [1766282-1](#) [1766966-1](#) [1791340000](#) [NLDFT-3-BL-L-S120-M40A](#) [NLDFT-N-](#)
[W-L-C240-M40B](#) [NLS-2-R-C240-M40B](#) [NLS-N-W-C240-M40B](#) [NPS-3-BL-T6](#) [1986615-1](#) [2-1589900-8](#) [2199314-1](#) [KA8102](#)