

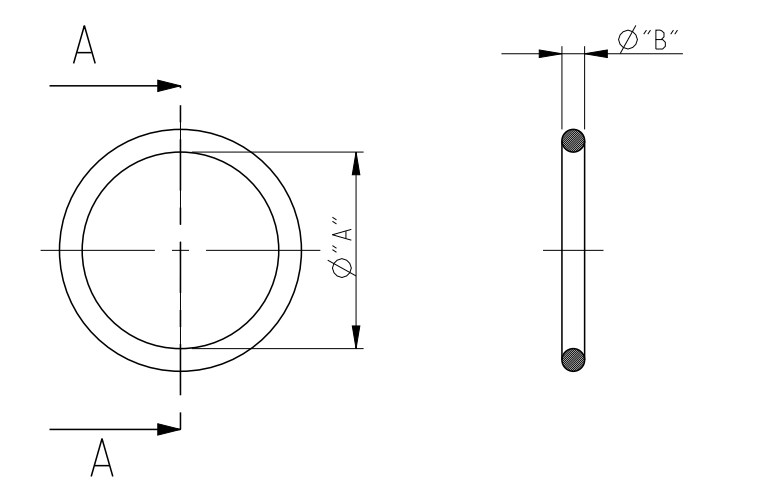
THIS DRAWING IS UNPUBLISHED. RELEASED FOR PUBLICATION  
 © COPYRIGHT 1997 ALL RIGHTS RESERVED.

LOC	DIST	REVISIONS					
A1	-	P	LTR	DESCRIPTION	DATE	DWN	APVD
		G11		ECR-16-016696	11SEP2017	GR	MKO
		G12		ECR-16-016780	15NOV2017	GR	MKO
		G13		ECR-17-014011	27MAR2018	SG	MKO
		G14		ECR-18-009334	21DEC2018	SR	MKO

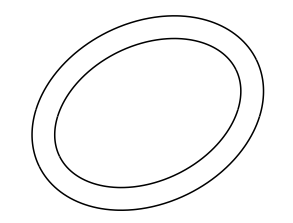
PART NO	A	B	NBR	2	FKM	3	EPDM COND	4	SERIES	NOTE
9-9	28.0	2.5	X	-	-	-	EMV-K3/4	-		
9-4	3.5	1	X	-	-	-	AIR	-		
9-3	4.5	1.5	X	-	-	-	AIR	-	OBSOLETE	
9-2	47.7	3.5	X	-	-	-	AM-3P	-		
9-1	11.0	1.0	X	-	-	-	AM-1P	-		
8-2	54.0	3.0	X	-	-	-	AM-3P	-		
8-1	50.0	3.0	X	-	-	-	AS-1P	-		
7-6	168.0	3.0	X	-	-	-	AM-4P	-		
7-2	50.0	2.0	-	X	-	-	Pg42	-		
7-1	50.0	2.0	X	-	-	-	Pg42	-	OBSOLETE	
6-6	135.0	3.0	X	-	-	-	AM-4P	-		
6-2	44.0	2.0	-	X	-	-	Pg36	-		
6-1	44.0	2.0	X	-	-	-	Pg36	-		
5-6	5.0	1.0	X	-	-	-	MDC	-		
5-3	7.0	3.0	X	-	-	-	AG-M6	-		
5-2	34.0	2.0	-	X	-	-	Pg29	COLOR GREY	OBSOLETE	
5-1	34.0	2.0	X	-	-	-	Pg29	-		
4-6	12.5	2.5	X	-	-	-	MDC	-		
4-4	98.0	3.0	-	-	X	-	HP/EMV 24	-	OBSOLETE	
4-3	98.0	3.0	X	-	-	-	ABB-S0	-		
4-2	26.0	2.0	-	X	-	-	Pg21	-		
4-1	26.0	2.0	X	-	-	-	Pg21	-		
3-6	24.0	3.0	X	-	-	-	MDC	-		
3-5	64.0	3.0	X	-	-	-	AH-1P	-		
3-4	80.0	3.0	-	-	X	-	HP/EMV 16	-	OBSOLETE	
3-3	80.0	3.0	X	-	-	-	AK-1P	-		
3-2	20.0	1.5	-	X	-	-	Pg16	COLOR GREY		
3-1	20.0	1.5	X	-	-	-	Pg16	-		
2-6	250.0	3.0	X	-	-	-	MDC	-		
2-5	38.0	3.0	X	-	-	-	AH-1P	-	OBSOLETE	
2-4	67.0	2.8	-	-	X	-	HP/EMV10	-		
2-3	67.0	2.8	X	-	-	-	HP/EMV10	-		
2-2	18.0	1.5	-	X	-	-	Pg13.5	-		
2-1	18.0	1.5	X	-	-	-	Pg13.5	-	OBSOLETE	
1-9	20.0	1.25	-	X	-	-	HC 26	BLACK		
1-8	20.0	1.0	-	X	-	-	HC26	BLACK	OBSOLETE	
1-7	4.0	1.0	-	X	-	-	ARRI	-		
1-6	330	5.0	X	-	-	-	MDC	-		
1-5	19.0	1.8	X	-	-	-	Pg-Stv	-	OBSOLETE	
1-4	59.0	3.0	-	-	X	-	HP/EMV6	-		
1-3	59.0	3.0	X	-	-	-	HP/EMV6	-		
1-2	16.0	1.5	-	X	-	-	Pg11	-	OBSOLETE	
1-1	16.0	1.5	X	-	-	-	Pg11	-		
1-0	23.0	1.0	-	X	-	-	HC26	COLOR BLUE	OBSOLETE	
0-9	23.52	1.78	-	X	-	-	HC25	-		
0-8	26	1.5	-	X	-	-	HC26	COLOR BLUE	OBSOLETE	
0-7	40	2.5	X	-	-	-	HW-G	-		
0-6	25.0	1.5	X	-	-	-	ALM	COLOR BLACK		
0-5	17.5	1.5	-	X	-	-	HC20	COLOR BLUE		
0-4	17	1.0	-	X	-	-	HC20	COLOR BLUE		
0-3	21.2	2.65	-	X	-	-	HF-1-EMV-K	-		
0-2	3.0	1.0	X	-	-	-	HA-EMV-K	-		
0-1	13.0	1.5	X	-	-	-	Pg 09	-		

**NOTES**


- PARTS SHALL BE FREE AND CLEAN OF SHARP EDGES AND ALL OTHER FOREIGN MATERIAL NO LOOSE BURRS PERMITTED.
- NBR, 70°±5° SHORE A, BLACK, ACC .TO DIN 3770
- FKM, 70°±5° SHORE A, TEMPERATURE RANGE -30 °C / +200 °C
- EPDM, 65°±5° SHORE A, BLACK, ELECTRICAL CONDUCTIVE, RESISTIVITY: 8.05 x 10<sup>3</sup> OHMS PER CM
- PACKAGING PN 0-1, 1000 PIECES MAX. IN A BOX



A-A



SCALE 2:1

THIS DRAWING IS A CONTROLLED DOCUMENT.		DWN Rösigen 26.05.1999	 TE Connectivity	
DIMENSIONS: mm		CHK Schweiger 26.05.1999		
TOLERANCES UNLESS OTHERWISE SPECIFIED:		APVD -	NAME 0-Ring	
0 PLC ±		PRODUCT SPEC -	-	
1 PLC ±		APPLICATION SPEC -	-	
2 PLC ±		WEIGHT -	SIZE A2	
3 PLC ±		CUSTOMER DRAWING	CAGE CODE 00779	
4 PLC ±		SCALE 4:1	DRAWING NO C-1106053	
ANGLES ±		SHEET 1 OF 1	RESTRICTED TO	
FINISH		REV G14		

## X-ON Electronics

Largest Supplier of Electrical and Electronic Components

*Click to view similar products for [Heavy Duty Power Connectors](#) category:*

*Click to view products by [TE Connectivity](#) manufacturer:*

Other Similar products are found below :

[647757-1](#) [6643411-1](#) [6646058-2](#) [6646137-1](#) [6646138-1](#) [6646479-1](#) [6646608-1](#) [6646786-1](#) [6646940-1](#) [6651091-1](#) [6651525-1](#) [6651529-1](#)  
[6651788-1](#) [696475-1](#) [702-32-01109](#) [703-25-02205](#) [73000005059](#) [73000005642](#) [73080255059](#) [73080965046](#) [765-15-0080A](#) [765-16-0080B](#)  
[765-18-0080D](#) [829992-1](#) [902-77-02113](#) [PS00/A0620/6300](#) [PS25/A0420/63](#) [129-1J](#) [1409400](#) [AN0024023](#) [E6374G1](#) [e6389g2](#) [157-43GW8](#)  
[MS3117-14AC](#) [1643543-1](#) [1650540-1](#) [1651811-2](#) [1766260-1](#) [1766282-1](#) [1766966-1](#) [1791340000](#) [NLDFT-3-BL-L-S120-M40A](#) [NLDFT-N-](#)  
[W-L-C240-M40B](#) [NLS-2-R-C240-M40B](#) [NLS-N-W-C240-M40B](#) [NPS-3-BL-T6](#) [1986615-1](#) [2-1589900-8](#) [2199314-1](#) [KA8102](#)