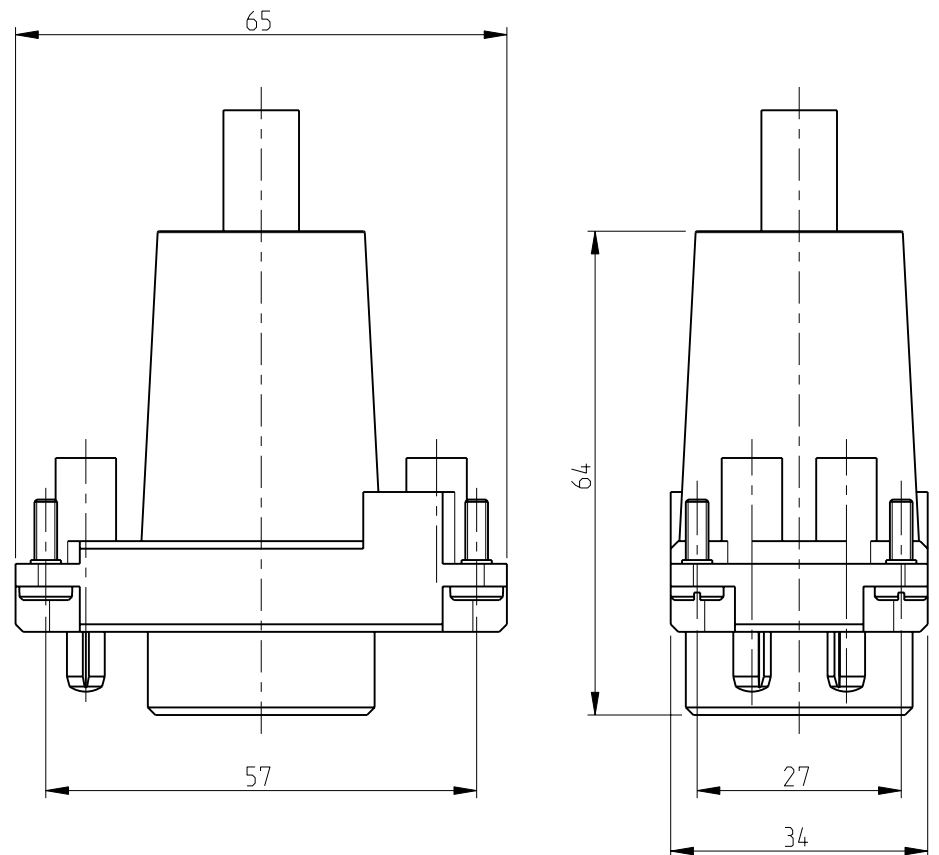
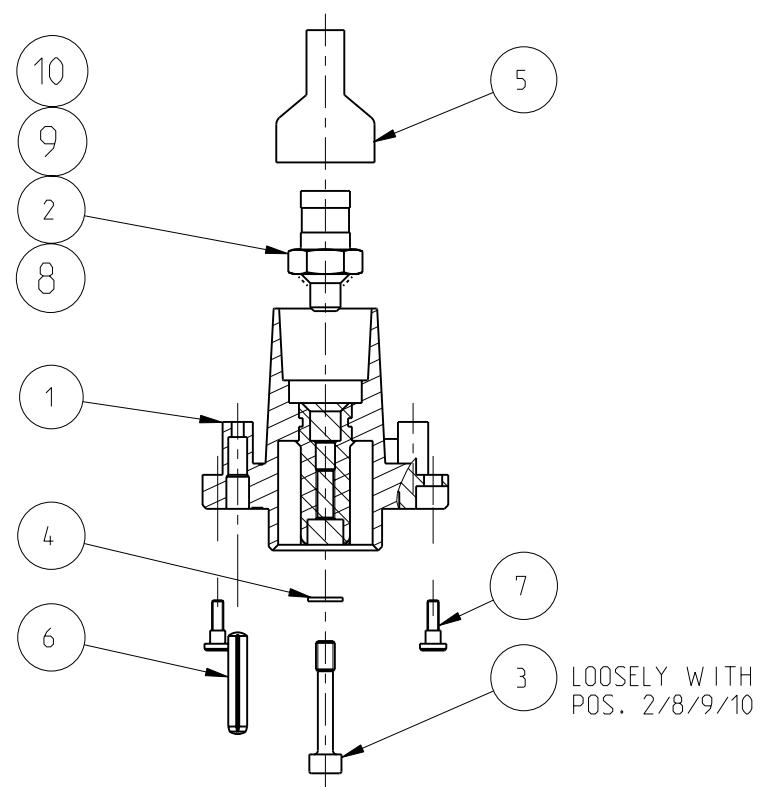


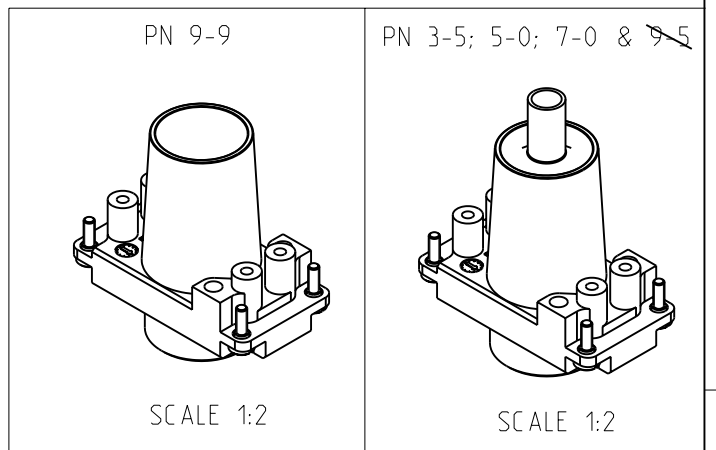
THIS DRAWING IS UNPUBLISHED. RELEASED FOR PUBLICATION 1997  
 © COPYRIGHT 1997 BY TYCO ELECTRONICS CORPORATION. ALL RIGHTS RESERVED.

LOC	DIST	REVISIONS				
P	LTR	DESCRIPTION	DATE	DWN	APVD	
A1	-	B6	ECR-10-017493	26.01.11	SR	AR

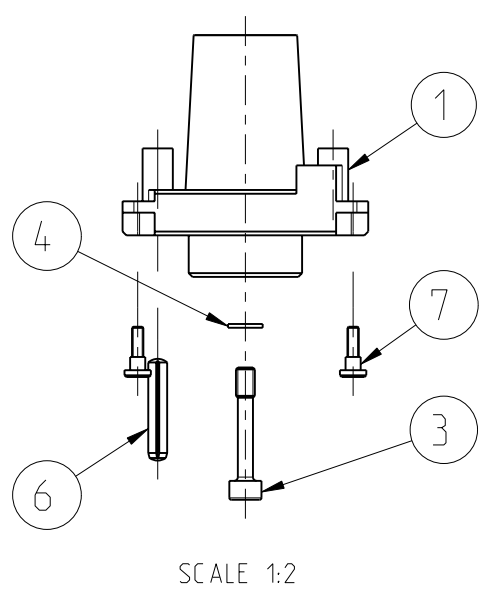
FOR PN 3-5; 5-0; 7-0 AND (9-5 OBSOLETE)



- NOTES:
- PARTS SHALL BE BLANK, SMOOTH, FREE OF BURRS AND ALL OTHER FOREIGN MATERIAL
  - PACKAGING:  
 ITEM NO 5,6 AND 7 PACKED IN POLY-BAGS  
 ITEM NO 5 IS TO SHRINK OVER THE CABLE AFTER CRIMPING



FOR PN 9-9



QTY	QTY	QTY	QTY	QTY	DESCRIPTION	MATERIAL	COLOR	ITEM NO	SURFACE	REMARKS
-	1	-	-	-	BARREL 95mm2	CuTeP(2.1546)	-	10	SILVERED	
-	-	1	-	-	BARREL 70mm2	CuTeP(2.1546)	-	9	SILVERED	
-	-	-	1	-	BARREL 50mm2	CuTeP(2.1546)	-	8	SILVERED	
4	4	4	4	4	SCREW, SLOTTED PAN HEAD	STAINL.STEEL	-	7	BLANK	DIN 923
2	2	2	2	2	Grooved pins / Rivet pins	STAINL.STEEL	BLANK	6	BLANK	DIN EN 28740
-	1	1	1	1	SHRINKABLE TUBE	POLYOLEFIN	BLACK	5		35 mm
1	1	1	1	1	WASHER, SPRING LOCK	STAINL.STEEL	-	4	BLANK	DIN 128
1	1	1	1	1	SCREW, HEX. SOCKET HEAD CAP	STAINLESS STEEL	-	3	BLANK	
-	-	-	-	1	BARREL 35mm2	CuTeP(2.1546)	-	2	SILVERED	
1	1	1	1	1	PIN INSERT	PA66 (Ultramid A3x3G5)	-	1		INSERTED

AM-1P-360-35.Sti.C  
 AM-1P-360-50.Sti.C  
 AM-1P-360-70.Sti.C  
 AM-1P-360-95.Sti.C — OBSOLETE  
 AM-1P-360.Sti.C

THIS DRAWING IS A CONTROLLED DOCUMENT FOR TYCO ELECTRONICS CORPORATION IT IS SUBJECT TO CHANGE AND THE CONTROLLING ENGINEERING ORGANIZATION SHOULD BE CONTACTED FOR THE LATEST REVISION.

DWN	Kramer	21.11.97	Tyco Electronics Tyco Electronics.AMP.GmbH 53757,SanktAugustin,Germany
CHK	Schweiger	21.11.97	
APVD	-	-	NAME
PRODUCT SPEC	108-74021		
APPLICATION SPEC	114-74023		
WEIGHT	-		
CUSTOMER DRAWING	SCALE	5:1	SHEET 1 OF 1
	REV	B6	

RESTRICTED TO: -

SIZE: A3 CAGE CODE: 00779 DRAWING NO: C=1106505

DIMENSIONS:	TOLERANCES UNLESS OTHERWISE SPECIFIED:
mm	0 PLC ±
	1 PLC ±
	2 PLC ±
	3 PLC ±
	4 PLC ±
	ANGLES ±
MATERIAL	FINISH

## X-ON Electronics

Largest Supplier of Electrical and Electronic Components

*Click to view similar products for [Standard Circular Connector](#) category:*

*Click to view products by [TE Connectivity](#) manufacturer:*

Other Similar products are found below :

[5M2530B10P](#) [600259N006](#) [600273N007](#) [6134-336-13149](#) [6134-337-11149](#) [6134-337-2390](#) [6134-341-17149](#) [6280-4SG-516](#) [6280-7SG-3DC](#)  
[6290](#) [6291A](#) [66200A-10](#) [680-SMG](#) [681-PMG](#) [CXS3102A14S2P](#) [CXS3102A181S](#) [7251-5SG-300](#) [7271-6SG-300](#) [7282-3PG-300-CH3](#) [75-](#)  
[474618-01S](#) [75-474618-04P](#) [75-474618-04S](#) [799539-000](#) [MI8-SE](#) [805-005-07NF11-19PC](#) [805-005-07NF15-7PA](#) [8280-4PG-516](#) [8280-7PG-](#)  
[519](#) [8282-5PG-519](#) [836783-1](#) [MP-4102-25P-C](#) [862256-1](#) [864019-2](#) [866857-1](#) [867865-1](#) [PT01SP-14-18P](#) [PT08P-14-5S](#) [PTSF06SE-14-12S](#)  
[120-1833-000](#) [QCM019PC2DC012B](#) [1-2069279-1](#) [121583-0217](#) [121667-0020](#) [129591AU](#) [1000B BULK](#) [RD10A16-19-P6CS051/1](#)  
[RD10A20-31-P8CS051/1](#) [RD16A14-12-S6CS051/2](#) [1301240290](#) [1301240347](#) [1301860202](#)