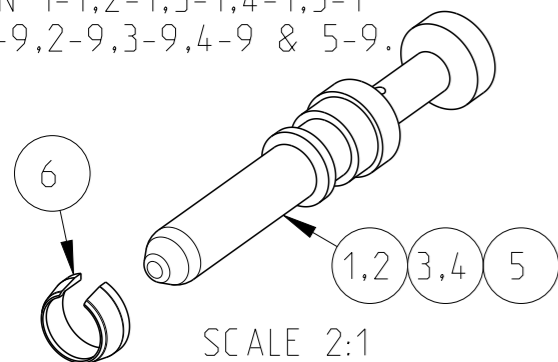


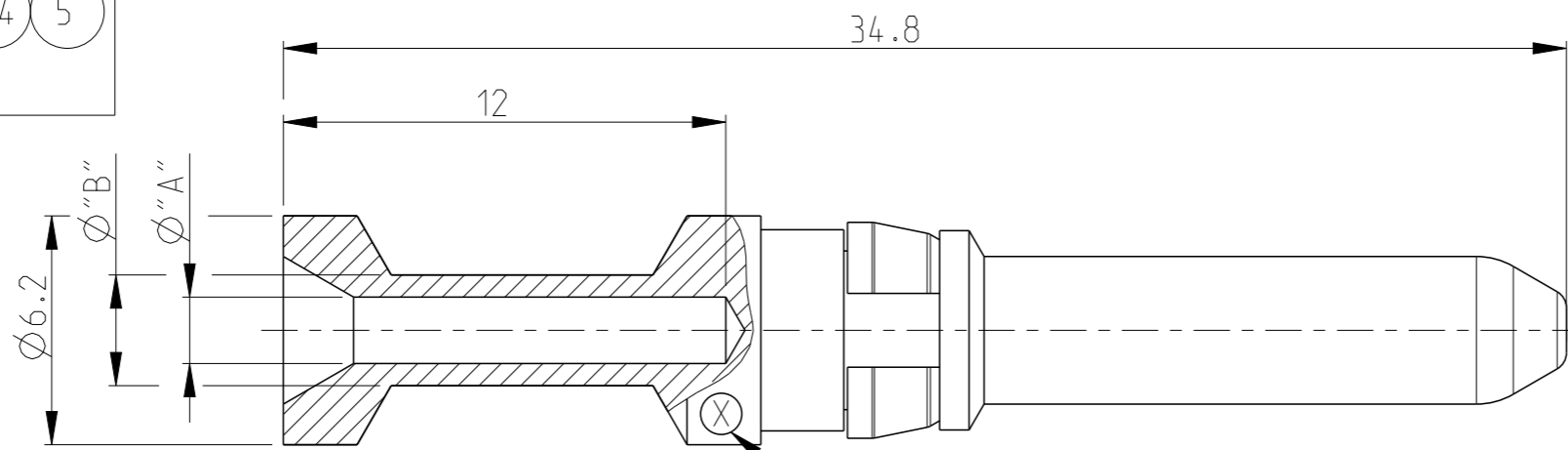
P	LTR	DESCRIPTION	DATE	DWN	APVD
A6		ECR-21-123594	27JAN2022	RK	JB

PN 1-1,2-1,3-1,4-1,5-1
1-9,2-9,3-9,4-9 & 5-9.



SCALE 2:1

12 OBSOLETE

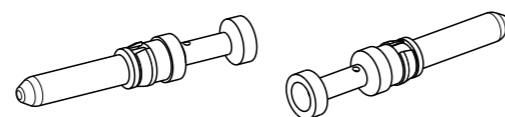


Notes

- 1 MATERIAL: BRASS
- 2 FINISH SILVER PLATING: 2µm Ag MIN. OVER Cu
- 3 ASSEMBLY WEIGHT SEE TABLE. VOLUME: 479mm³ (APPROX.)
- 4 PACKAGING: 25 PIECES IN A POLY-BAG AND CARTON
- 5 SUITABLE SOCKET CONTACT: PN 1108756
- 6 SUITABLE INSERTS: SERIES HSK
- 7 SUITABLE CRIMPING TOOL: PN 1-1105850-8
- 8 SUITABLE INSERTION TOOL: PN 0-1102855-6
- 9 SUITABLE EXTRACTION TOOL: PN 0-1102855-8
- 10 CROSS-SECTION MARKING
- 11 STANDARDS: DIN EN 61984, DIN EN 60664-1

										12	12	12	10						6
5-9	4-9	3-9	2-9	1-9	5-1	4-1	3-1	2-1	1-1										
HS.K-C-Sti.Ag 10mm ²	HS.K-C-Sti.Ag 6mm ²	HS.K-C-Sti.Ag 4mm ²	HS.K-C-Sti.Ag 2.5mm ²	HS.K-C-Sti.Ag 1.5mm ²	HS.K-C-Sti.Ag 10mm ²	HS.K-C-Sti.Ag 6mm ²	HS.K-C-Sti.Ag 4mm ²	HS.K-C-Sti.Ag 2.5mm ²	HS.K-C-Sti.Ag 1.5mm ²	PLATING	DESCRIPTION	CROSS SECTION	WEIGHT IN (Kg)	DIMENSIONS		CROSS-SECTION MARKINGS	STRIPPING-LENGTH	ITEM NO	
1	1	1	1	1	1	1	1	1	1	Ni	CLIP	-	-	-	-	-	-	-	6
1					1					Ag 2	PIN CONTACT	10	0.0041	4.35	5.9	8	12	5	
	1					1					PIN CONTACT	6.0	0.0041	3.5	4.9	7	12	4	
		1					1				PIN CONTACT	4.0	0.0041	2.85	3.9	6	12	3	
			1					1			PIN CONTACT	2.5	0.0039	2.2	3.2	5	12	2	
				1					1		PIN CONTACT	1.5	0.0040	1.8	3.0	4	12	1	
											[MM ²]			"A"	"B"	CROSS-SECTION MARKINGS	(MM)	ITEM NO	

THIS DRAWING IS A CONTROLLED DOCUMENT.



SCALE 1:1

DIMENSIONS:		TOLERANCES UNLESS OTHERWISE SPECIFIED:	
mm		n. ISO 2768-mS-E DIN 16901	
	0 PLC	±	
	1 PLC	±	
	2 PLC	±	
	3 PLC	±	
	4 PLC	±	
	ANGLES	±	
MATERIAL	FINISH		
1	2		

DWN	SCHWEIGER	03Mar2008
CHK	H.BRAUN	03Mar2008
APVD	T. SCHNURPFEL	03Mar2008
PRODUCT SPEC	108-74004	
APPLICATION SPEC	114-74003	
WEIGHT	-	
CUSTOMER DRAWING		

		NAME		RESTRICTED TO	
		PIN CONTACT SERIES HSK		-	
SIZE	CAGE CODE	DRAWING NO			
A3	00779	1108757			
SCALE		SHEET	OF	REV	
5:1		1	1	A6	

X-ON Electronics

Largest Supplier of Electrical and Electronic Components

Click to view similar products for [Heavy Duty Power Connectors](#) category:

Click to view products by [TE Connectivity](#) manufacturer:

Other Similar products are found below :

[647757-1](#) [6643411-1](#) [6646058-2](#) [6646137-1](#) [6646138-1](#) [6646479-1](#) [6646608-1](#) [6646786-1](#) [6646940-1](#) [6651091-1](#) [6651525-1](#) [6651529-1](#)
[6651788-1](#) [696475-1](#) [702-32-01109](#) [703-25-02205](#) [73000005059](#) [73000005642](#) [73080255059](#) [73080965046](#) [765-15-0080A](#) [765-16-0080B](#)
[765-18-0080D](#) [829992-1](#) [902-77-02113](#) [PS00/A0620/6300](#) [PS25/A0420/63](#) [129-1J](#) [1409400](#) [AN0024023](#) [E6374G1](#) [e6389g2](#) [157-43GW8](#)
[MS3117-14AC](#) [1643543-1](#) [1650540-1](#) [1651811-2](#) [1766260-1](#) [1766282-1](#) [1766966-1](#) [1791340000](#) [NLDFT-3-BL-L-S120-M40A](#) [NLDFT-N-](#)
[W-L-C240-M40B](#) [NLS-2-R-C240-M40B](#) [NLS-N-W-C240-M40B](#) [NPS-3-BL-T6](#) [1986615-1](#) [2-1589900-8](#) [2199314-1](#) [KA8102](#)