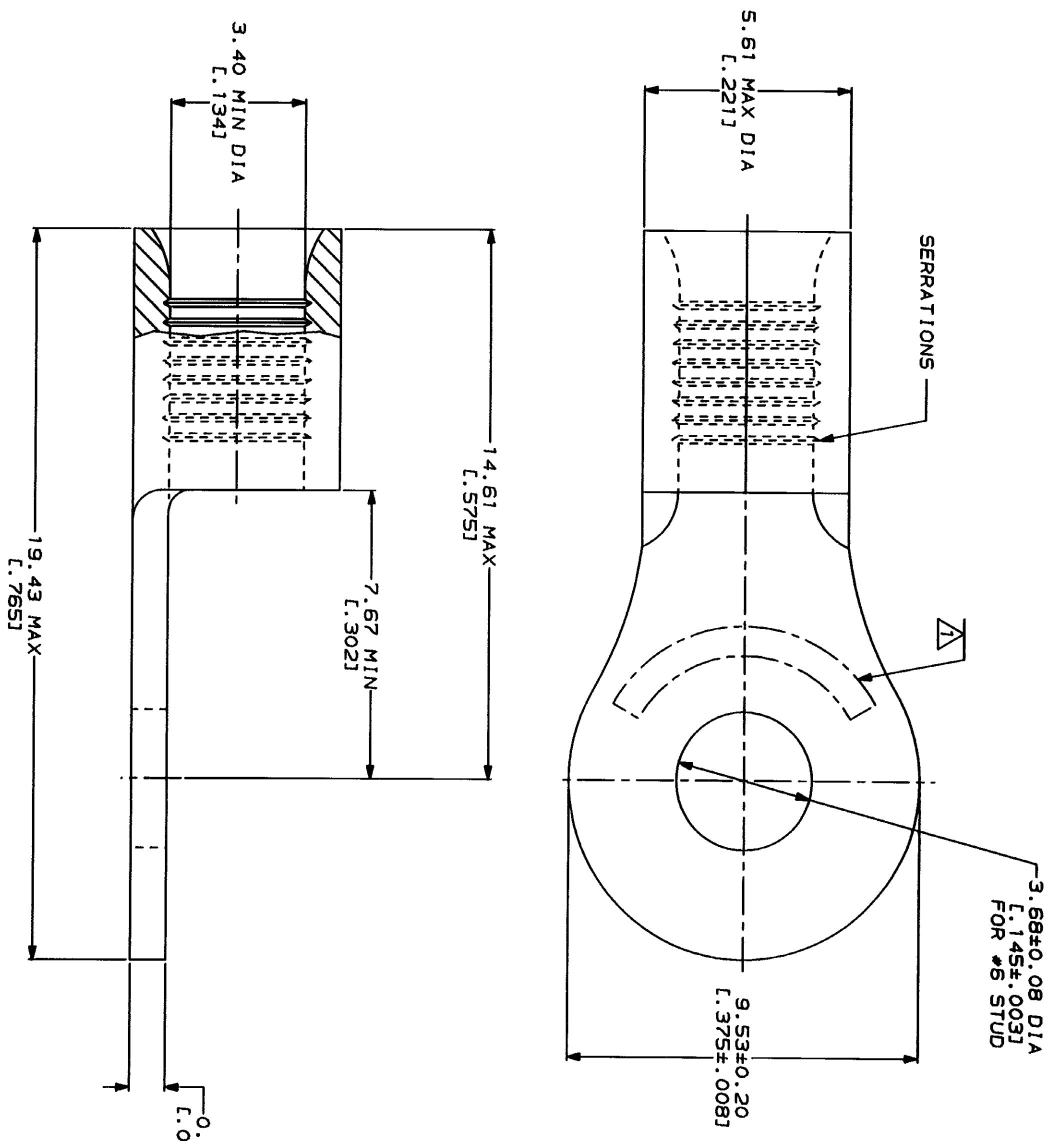


LOC	DIST	ZONE	LTR	DESCRIPTION	DATE	APPD
G	14			REVISED PER 0720-0230-93	2/25/94	DUP

**METRIOR**  
 DIMENSIONS LISTED IN MM [ INCHES ]

<b>AMP</b> WIRE RANGE 12-10 AWG STRANDED	<b>UL</b> E13288 Listed 12-10 AWG STRANDED
<b>LR7189</b> Certified	MILITARY P/N AND CLASS
NOT CERTIFIED	NOT APPLICABLE

△ STAMP AMP 12-10\* APPROX AS SHOWN



AMP INCORPORATED  
 CUSTOMER SERVICE SYSTEMS

FOR ADDITIONAL  
 PRODUCT INFORMATION OR  
 COPIES OF DRAWINGS  
 AND TECHNICAL DOCUMENTS  
 1-800-522-6752

FOR APPLICATION  
 TOOLING ASSISTANCE CENTER  
 1-800-722-1111

FOR ORDER ENTRY  
 1-800-526-5142

MAX RECOMMENDED OPERATING  
 TEMPERATURE: 170°C MAX

VOLTAGE RATING:  
 NOT APPLICABLE

WIRE CROSS SECTIONAL AREA RANGE:  
 2.62-6.64mm<sup>2</sup> [5,180-13,100] CIR MILS  
 STRANDED

DO NOT SCALE PRINT.  
 UNLESS SPECIFIED  
 DIMENSIONS IN MILLIMETERS  
 TOLERANCES ON:  
 2 PLG DEC ± .1  
 3 PLG DEC ± .1  
 ANGLES ± .1

MATERIAL:  
 COPPER PER  
 ASTM B-152  
 ANNEALED

FINISH:  
 TIN PLATE  
 0.00254 [L. 000100] MIN  
 THK PER MIL-T-10727

DR 2-9-93  
 TA BRINKMAN

CHK 2-9-93  
 DA PATTERSON

APPD 2-9-93  
 DE MILLER

APPD 2-9-93  
 JL NECKLEY

PRODUCT SPEC

APPLICATION SPEC

**AMP**  
 AMP Incorporated  
 Harrisburg, PA 17125-3608

TERMINAL, RING TONGUE,  
 BUDGET

SIZE CAGE CODE DRAWING NO  
 00779 31112

31112  
 PART NO

## X-ON Electronics

Largest Supplier of Electrical and Electronic Components

*Click to view similar products for [Terminals](#) category:*

*Click to view products by [TE Connectivity](#) manufacturer:*

Other Similar products are found below :

[00-054007-01074-6](#) [00-054007-70206-1](#) [00-054007-70210-8](#) [00-054007-70217-7](#) [00-054007-70226-9](#) [00-054007-70228-3](#) [00-054007-70248-1](#) [00-054007-70256-6](#) [00-054007-70301-3](#) [00-054007-70316-7](#) [00-054007-49560-4](#) [00-054007-70209-2](#) [00-054007-70225-2](#) [00-054007-70227-6](#) [00-054007-70231-3](#) [00-054007-70241-2](#) [00-054007-70242-9](#) [00-054007-70244-3](#) [00-054007-70246-7](#) [00-054007-70263-4](#) [00-054007-70288-7](#) [00-054007-70290-0](#) [00-054007-70300-6](#) [00-054007-70304-4](#) [01-2065-1-0216](#) [01-2900-1-04412](#) [00581P0075](#) [600TS-10](#) [60205-1](#) [604200-1](#) [605601-1](#) [60598-1-CUT-TAPE](#) [61314-6-C](#) [61810-3](#) [61-S](#) [61-SN](#) [626-0194](#) [62-NBM-A](#) [62-SN](#) [62-SP](#) [63-S](#) [640179-1](#) [M55155/059I03](#) [M55155/079C01](#) [M55155/099H02](#) [M55155/109H01](#) [M55155/109H02](#) [M55155/12XH05](#) [M55155/16XH02](#) [M55155/29-5S](#)