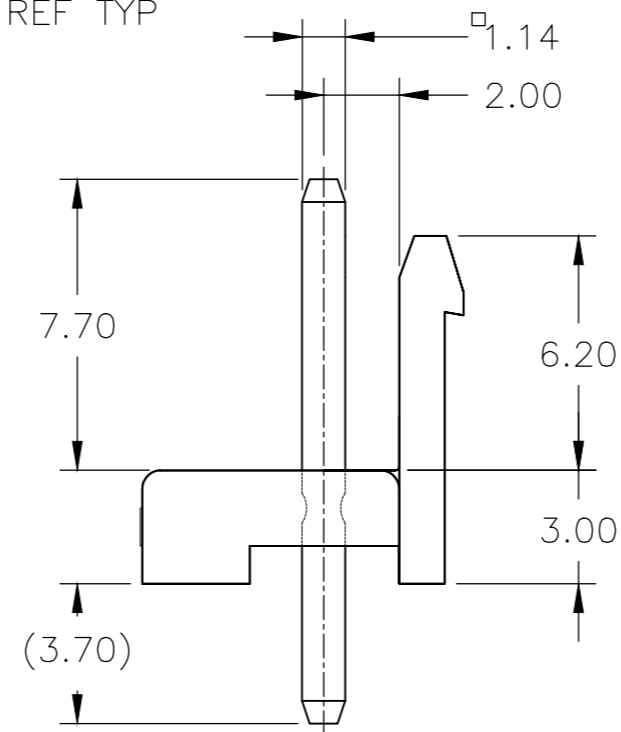
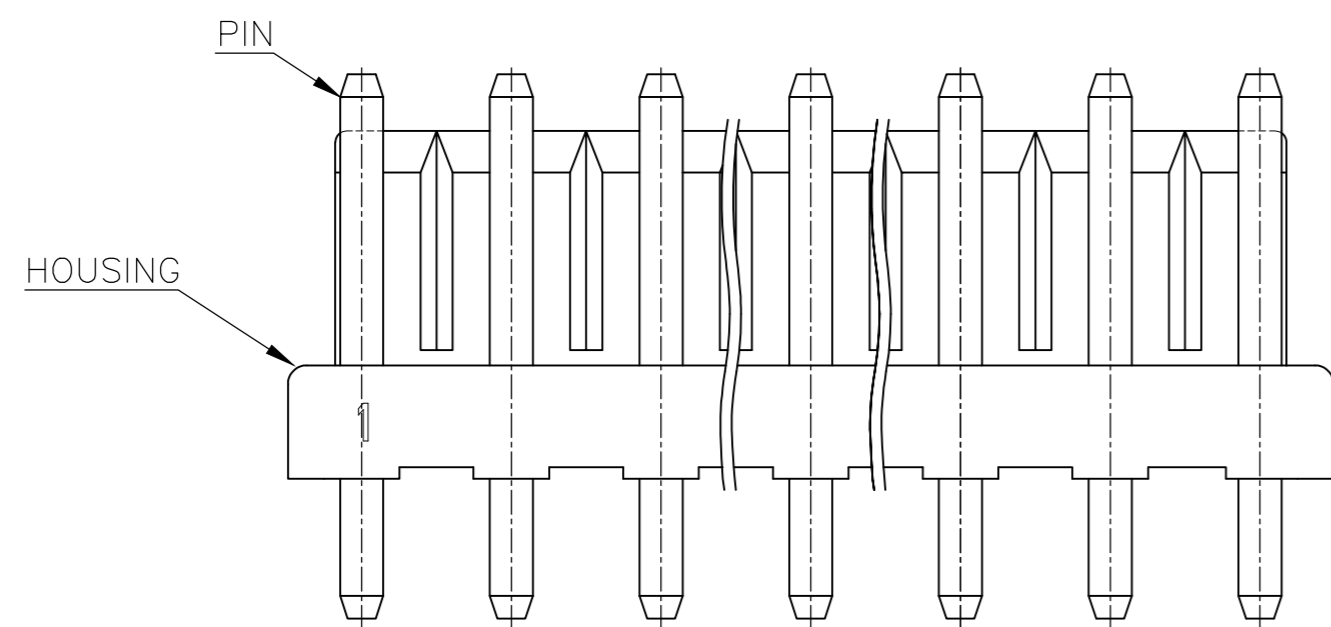


THIS DRAWING IS UNPUBLISHED. RELEASED FOR PUBLICATION  
 © COPYRIGHT - By - ALL RIGHTS RESERVED.

| REVISIONS |     |                           |           |     |      |
|-----------|-----|---------------------------|-----------|-----|------|
| P         | LTR | DESCRIPTION               | DATE      | DWN | APVD |
| AA4       |     | REVISED PER ECR-18-005503 | 30MAY2018 | BDA | SG   |



$\phi 1.60^{+0.1}_{-0.0}$  (PUNCHED HOLE)  
 $\phi 1.65^{+0.1}_{-0.0}$  (DRILLED HOLE)

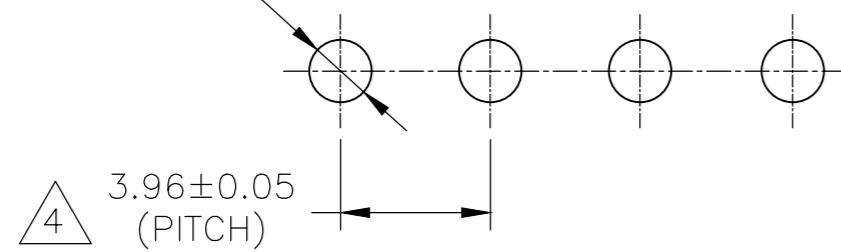


FIG.1

- 1 MATING CONN P/N: □-1123722-□
- 2 APPLICABLE P.C.B LAYOUT: SEE FIG. 1
- 3 APPLICABLE P.C.B THICKNESS: 1.60
- 4 SKETCHES SHOW NO PINS MISSING.
- 6 PIN: POST TIN OVER BRASS
- 7 HOUSING: PBT, 30% GLASS, UL94-V0.
- 8 ○ : WITH PIN,  
X : WITHOUT PIN.
- 10 SUPERSEDED BY 1744489-2.
- 11 SUPERSEDED BY 1744489-4.
- 12 SUPERSEDED BY 1744489-5.
- 13 SUPERSEDED BY 1744489-6.
- 14 SUPERSEDED BY 1744489-7.
- 15 SUPERSEDED BY 1744489-8.
- 16 SUPERSEDED BY 1744489-9.
- 17 SUPERSEDED BY 1-1744489-0.
- 18 SUPERSEDED BY 1-1744489-1.
- 19 VALUES FOR UL 61800-5-1

| Flam | RTIe deg C | HWI   | HAI   | CTI         |
|------|------------|-------|-------|-------------|
| V0   | 130        | PLC 2 | PLC 4 | PLC 2_UL746 |

|  |  |                               |  |  |
|--|--|-------------------------------|--|--|
| THIS DRAWING IS A CONTROLLED DOCUMENT. |  | DWN<br>N.YAMASAKI<br>13MAR'01 | TE Connectivity  |  |
| DIMENSIONS:<br>mm                      |  | CHK<br>M.SHINDO<br>13MAR'01   |  |  |
| TOLERANCES UNLESS OTHERWISE SPECIFIED: |  | APVD<br>Y.KASHIWA<br>13MAR'01 | NAME<br>3.96MM PITCH ECONOMY POWER(EP) CONN<br>HEADER ASSY |  |
| 0 PLC ±                                |  | PRODUCT SPEC<br>108-5609      | SIZE<br>A2   |  |
| 1 PLC ± 0.50                           |  | APPLICATION SPEC              | CAGE CODE<br>00779   |  |
| 2 PLC ± 0.30                           |  | WEIGHT                        | DRAWING NO<br>C=1123723                                    |  |
| 3 PLC ±                                |  | FINISH                        | RESTRICTED TO  |  |
| 4 PLC ±                                |  | SEE TABLE                     | SCALE<br>5:1   |  |
| ANGLES ±                               |  | SEE TABLE                     | SHEET<br>1 OF 2  |  |
| MATERIAL<br>SEE TABLE                  |  | CUSTOMER DRAWING              | REV<br>AA4   |  |

THIS DRAWING IS UNPUBLISHED. RELEASED FOR PUBLICATION  
 © COPYRIGHT - By - ALL RIGHTS RESERVED.

| REVISIONS |     |             |      |     |      |
|-----------|-----|-------------|------|-----|------|
| P         | LTR | DESCRIPTION | DATE | DWN | APVD |
| -         | -   | SEE SHEET 1 | -    | -   | -    |

| PIN POSITION | "C"   | "B"REF | "A"REF | COLOR   | POS | ASS'Y P/N   |
|--------------|-------|--------|--------|---------|-----|-------------|
| 1            |       |        |        | NATURAL | 11  | 8-1123723-1 |
| 2            |       |        |        | GREEN   |     | 6-1123723-1 |
| 3            |       |        |        | BLACK   |     | 5-1123723-1 |
| 4            |       |        |        | RED     |     | 4-1123723-1 |
| 5            |       |        |        | BLUE    |     | 3-1123723-1 |
| 6            |       |        |        | YELLOW  |     | 2-1123723-1 |
| 7            |       |        |        | NATURAL |     | 1-1123723-1 |
| 8            |       |        |        | NATURAL | 10  | 7-1123723-0 |
| 9            |       |        |        | GREEN   |     | 6-1123723-0 |
| 10           |       |        |        | BLACK   |     | 5-1123723-0 |
| 11           |       |        |        | RED     |     | 4-1123723-0 |
|              |       |        |        | BLUE    |     | 3-1123723-0 |
|              |       |        |        | YELLOW  |     | 2-1123723-0 |
|              |       |        |        | NATURAL |     | 1-1123723-0 |
|              | 31.68 | 33.08  | 35.58  | NATURAL | 9   | 7-1123723-9 |
|              | 39.60 | 41.00  | 43.50  | NATURAL |     | 7-1123723-1 |
|              |       |        |        | GREEN   |     | 6-1123723-9 |
|              |       |        |        | BLACK   |     | 5-1123723-9 |
|              |       |        |        | RED     |     | 4-1123723-9 |
|              |       |        |        | BLUE    |     | 3-1123723-9 |
|              |       |        |        | YELLOW  |     | 2-1123723-9 |
|              |       |        |        | NATURAL |     | 1-1123723-9 |

| PIN POSITION | "C" | "B"REF | "A"REF | COLOR   | POS | ASS'Y P/N   |
|--------------|-----|--------|--------|---------|-----|-------------|
| 1            |     |        |        | NATURAL | 8   | 7-1123723-8 |
| 2            |     |        |        | GREEN   |     | 6-1123723-8 |
| 3            |     |        |        | BLACK   |     | 5-1123723-8 |
| 4            |     |        |        | RED     |     | 4-1123723-8 |
| 5            |     |        |        | BLUE    |     | 3-1123723-8 |
| 6            |     |        |        | YELLOW  |     | 2-1123723-8 |
| 7            |     |        |        | NATURAL |     | 1-1123723-8 |
| 8            |     |        |        | NATURAL | 7   | 7-1123723-7 |
| 9            |     |        |        | GREEN   |     | 6-1123723-7 |
| 10           |     |        |        | BLACK   |     | 5-1123723-7 |
| 11           |     |        |        | RED     |     | 4-1123723-7 |
|              |     |        |        | BLUE    |     | 3-1123723-7 |
|              |     |        |        | YELLOW  |     | 2-1123723-7 |
|              |     |        |        | NATURAL |     | 1-1123723-7 |
|              |     |        |        | NATURAL | 6   | 7-1123723-6 |
|              |     |        |        | GREEN   |     | 6-1123723-6 |
|              |     |        |        | BLACK   |     | 5-1123723-6 |
|              |     |        |        | RED     |     | 4-1123723-6 |
|              |     |        |        | BLUE    |     | 3-1123723-6 |
|              |     |        |        | YELLOW  |     | 2-1123723-6 |
|              |     |        |        | NATURAL |     | 1-1123723-6 |
|              |     |        |        | NATURAL | 5   | 7-1123723-5 |
|              |     |        |        | GREEN   |     | 6-1123723-5 |
|              |     |        |        | BLACK   |     | 5-1123723-5 |
|              |     |        |        | RED     |     | 4-1123723-5 |
|              |     |        |        | BLUE    |     | 3-1123723-5 |
|              |     |        |        | YELLOW  |     | 2-1123723-5 |
|              |     |        |        | NATURAL |     | 1-1123723-5 |
|              |     |        |        | NATURAL | 4   | 7-1123723-4 |
|              |     |        |        | GREEN   |     | 6-1123723-4 |
|              |     |        |        | BLACK   |     | 5-1123723-4 |
|              |     |        |        | RED     |     | 4-1123723-4 |
|              |     |        |        | BLUE    |     | 3-1123723-4 |
|              |     |        |        | YELLOW  |     | 2-1123723-4 |
|              |     |        |        | NATURAL |     | 1-1123723-4 |
|              |     |        |        | NATURAL | 3   | 7-1123723-3 |
|              |     |        |        | GREEN   |     | 6-1123723-3 |
|              |     |        |        | BLACK   |     | 5-1123723-3 |
|              |     |        |        | RED     |     | 4-1123723-3 |
|              |     |        |        | BLUE    |     | 3-1123723-3 |
|              |     |        |        | YELLOW  |     | 2-1123723-3 |
|              |     |        |        | NATURAL |     | 1-1123723-3 |
|              |     |        |        | NATURAL | 2   | 7-1123723-2 |
|              |     |        |        | GREEN   |     | 6-1123723-2 |
|              |     |        |        | BLACK   |     | 5-1123723-2 |
|              |     |        |        | RED     |     | 4-1123723-2 |
|              |     |        |        | BLUE    |     | 3-1123723-2 |
|              |     |        |        | YELLOW  |     | 2-1123723-2 |
|              |     |        |        | NATURAL |     | 1-1123723-2 |

THIS DRAWING IS A CONTROLLED DOCUMENT.

DWN: N.YAMASAKI 13MAR'01  
 CHK: M.SHINDO 13MAR'01  
 APVD: Y.KASHIWA 13MAR'01

TE Connectivity  
 3.96MM PITCH ECONOMY POWER(EP) CONN  
 HEADER ASSY

108-5609  
 APPLICATION SPEC

SIZE: A2 CAGE CODE: 00779 DRAWING NO: C=1123723 RESTRICTED TO: -  
 SCALE: 5:1 SHEET: 2 OF 2 REV: AA4

PRODUCT SPEC: 108-5609  
 MATERIAL: SEE TABLE FINISH: SEE TABLE WEIGHT: CUSTOMER DRAWING

## X-ON Electronics

Largest Supplier of Electrical and Electronic Components

*Click to view similar products for [Headers & Wire Housings](#) category:*

*Click to view products by [TE Connectivity](#) manufacturer:*

Other Similar products are found below :

[95000-104TRLF](#) [10135584-644402LF](#) [DF62W-EP2022PCA](#) [95000-106TRLF](#) [DF62W-2022SCA](#) [DF62W-EP2022PC](#) [2203348](#) [DF62W-2022SC](#) [1084018](#) [1029039](#) [1084017](#) [802-10-012-10-002000](#) [1112640](#) [1112639](#) [000-34000](#) [0009482033](#) [0009507031](#) [57102-S06-03LF](#) [57202-S52-04LF](#) [PCN6-15S-2.5E](#) [0039019024](#) [58102-G61-06LF](#) [582553-1](#) [0009508121](#) [0050291907](#) [018731A](#) [LY20-4P-DT1-P1E-BR](#) [02.125.8002.8](#) [60101931](#) [60598-1 \(Cut Strip\)](#) [M1625-3R/100](#) [61062-3](#) [61082-181009](#) [636-1427](#) [638009-1](#) [641938-9](#) [641991-4](#) [644168-1](#) [647662-1](#) [65039-019ELF](#) [65817-002LF](#) [65817-015LF](#) [65863-015LF](#) [66207-023LF](#) [67016-026LF](#) [67046-001LF](#) [67095-007LF](#) [68002-116](#) [68016-236H](#) [68648-049](#)