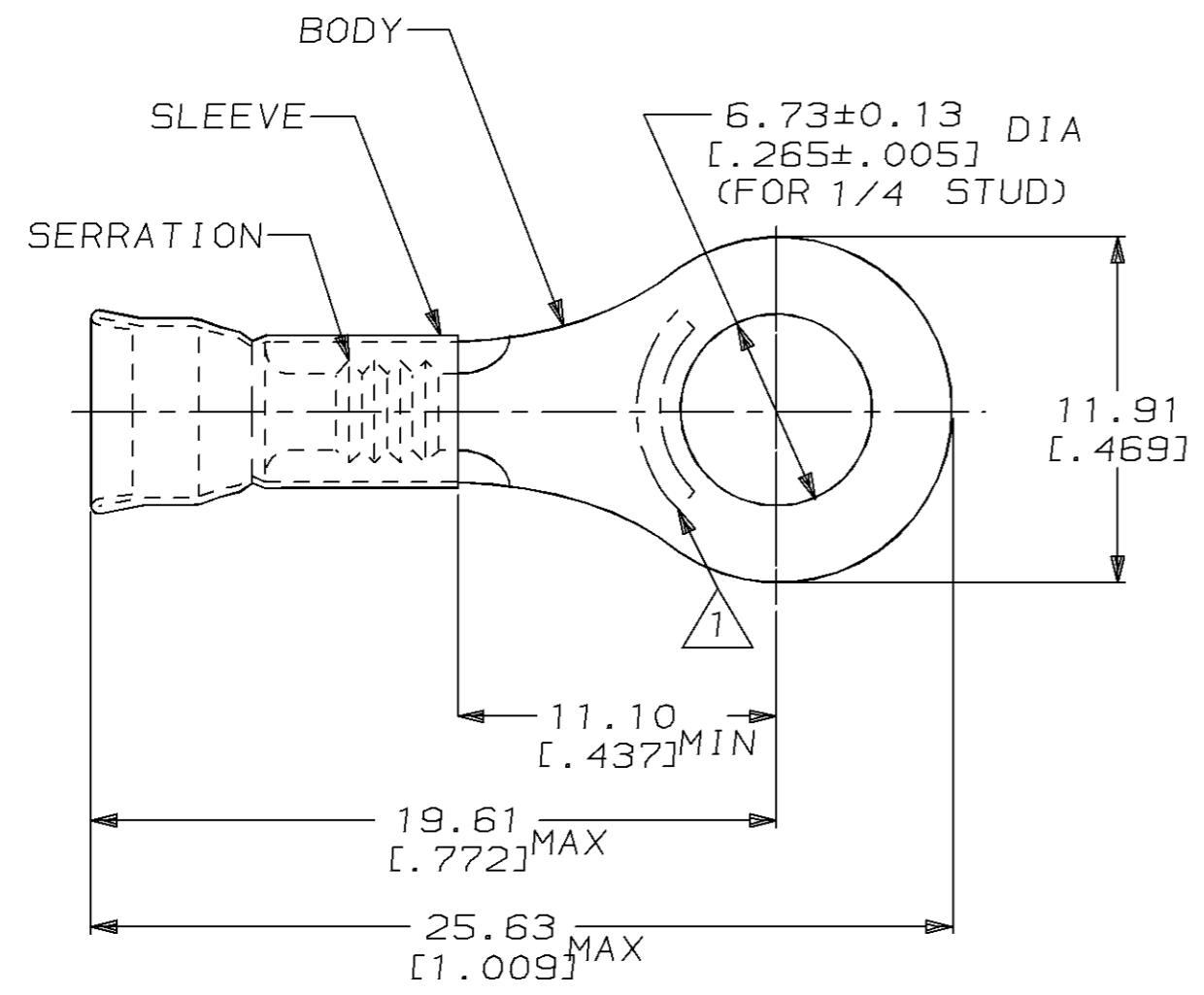


THIS DRAWING IS UNPUBLISHED. RELEASED FOR PUBLICATION ,19 .
 © COPYRIGHT 19 BY AMP INCORPORATED. ALL RIGHTS RESERVED.

| LOC | DIST | REVISIONS | | | |
|-----|------|--------------------------|---------|-----|------|
| P | LTR | DESCRIPTION | DATE | DWN | APVD |
| G | 14 | | | | |
| | D | REDRAWN PER 0720-0470-95 | 23JAN95 | LO | ME |

| | | |
|--------------------------------|--------------------------------|--------------------------------|
| AMP WIRE RANGE | E13288 | LR7189 Certified |
| 22-16 AWG SOLID OR STRANDED | 22-16 AWG SOLID OR STRANDED | 22-16 AWG SOLID OR STRANDED |



- 1. STAMP AMP 22-18* APPROX AS SHOWN
22-16 TERMINALS ARE STAMPED 22-18 IN
ACCORDANCE WITH MILITARY SPEC MIL-T-7928
COMMERCIAL WIRE RANGE IS 22-16
- 2. WIRE INSUL DIA, 2.67-3.56 [.105-.140]
- 3. TONGUE MATL THK, 0.79±0.05 [.031±.002]

| | | |
|------|---------------|-----------|
| 5000 | ON TAPE, REEL | 2-31176-1 |
| 1000 | LOOSE PIECE | 31176 |
| QTY | PACKAGE TYPE | PART NO |

| | | | | | | | | |
|--|--|---|--|--|----------------------------|--|------------------------------|--|
| AMP INCORPORATED CUSTOMER SERVICE SYSTEM | | MAX RECOMMENDED OPERATING TEMPERATURE: 170°C [338°F] | THIS DRAWING IS A CONTROLLED DOCUMENT FOR AMP INCORPORATED. IT IS SUBJECT TO CHANGE AND THE CONTROLLING ENGINEERING ORGANIZATION SHOULD BE CONTACTED FOR THE LATEST REVISION. | | DWN L OLMEDA 23JAN95 | AMP AMP Incorporated Harrisburg, PA 17105-3608 | | |
| FOR ADDITIONAL PRODUCT INFORMATION OR COPIES OF DRAWINGS AND TECHNICAL DOCUMENTS | PRODUCT INFORMATION CENTER 1-800-522-6752 | | DIMENSIONS: mm [in] | TOLERANCES UNLESS OTHERWISE SPECIFIED: | CHK M ELLIS 23JAN95 | | APVD S BORTNER 23JAN95 | NAME TERMINAL, RING, DIAMOND GRIP, WIRE SIZE, 22-16 AWG |
| FOR APPLICATION TOOLING INFORMATION | TOOLING ASSISTANCE CENTER 1-800-722-1111 | VOLTAGE RATING: - | | 0 PLC ±- | 1 PLC ±- | PRODUCT SPEC UL486A | | |
| FOR ORDER ENTRY | 1-800-526-5142 | CIRCULAR MIL AREA: 0.26mm²-1.65mm² [509-3260] | | 2 PLC ±0.20 [.008] | 3 PLC ±- | 4 PLC ±- | APPLICATION SPEC - | |
| | | | MATERIAL BODY, CU, SLV, CU PER ASTM B152 | FINISH TIN PLATE PER MIL-T-10727 | WEIGHT - | SIZE A3 | CAGE CODE 00779 | DRAWING NO C-31176 |
| CUSTOMER DRAWING | | | | | SCALE 4:1 | SHEET 1 OF 1 | REV D | |

X-ON Electronics

Largest Supplier of Electrical and Electronic Components

Click to view similar products for [Terminals](#) category:

Click to view products by [TE Connectivity](#) manufacturer:

Other Similar products are found below :

[00-054007-01074-6](#) [00-054007-70206-1](#) [00-054007-70210-8](#) [00-054007-70217-7](#) [00-054007-70226-9](#) [00-054007-70228-3](#) [00-054007-70248-1](#) [00-054007-70256-6](#) [00-054007-70301-3](#) [00-054007-70316-7](#) [00-054007-49560-4](#) [00-054007-70209-2](#) [00-054007-70225-2](#) [00-054007-70227-6](#) [00-054007-70231-3](#) [00-054007-70241-2](#) [00-054007-70242-9](#) [00-054007-70244-3](#) [00-054007-70246-7](#) [00-054007-70263-4](#) [00-054007-70288-7](#) [00-054007-70290-0](#) [00-054007-70300-6](#) [00-054007-70304-4](#) [01-2065-1-0216](#) [01-2900-1-04412](#) [00581P0075](#) [600TS-10](#) [60205-1](#) [604200-1](#) [605601-1](#) [60598-1-CUT-TAPE](#) [61314-6-C](#) [61810-3](#) [61-S](#) [61-SN](#) [626-0194](#) [62-NBM-A](#) [62-SN](#) [62-SP](#) [63-S](#) [640179-1](#) [M55155/059I03](#) [M55155/079C01](#) [M55155/099H02](#) [M55155/109H01](#) [M55155/109H02](#) [M55155/12XH05](#) [M55155/16XH02](#) [M55155/29-5S](#)