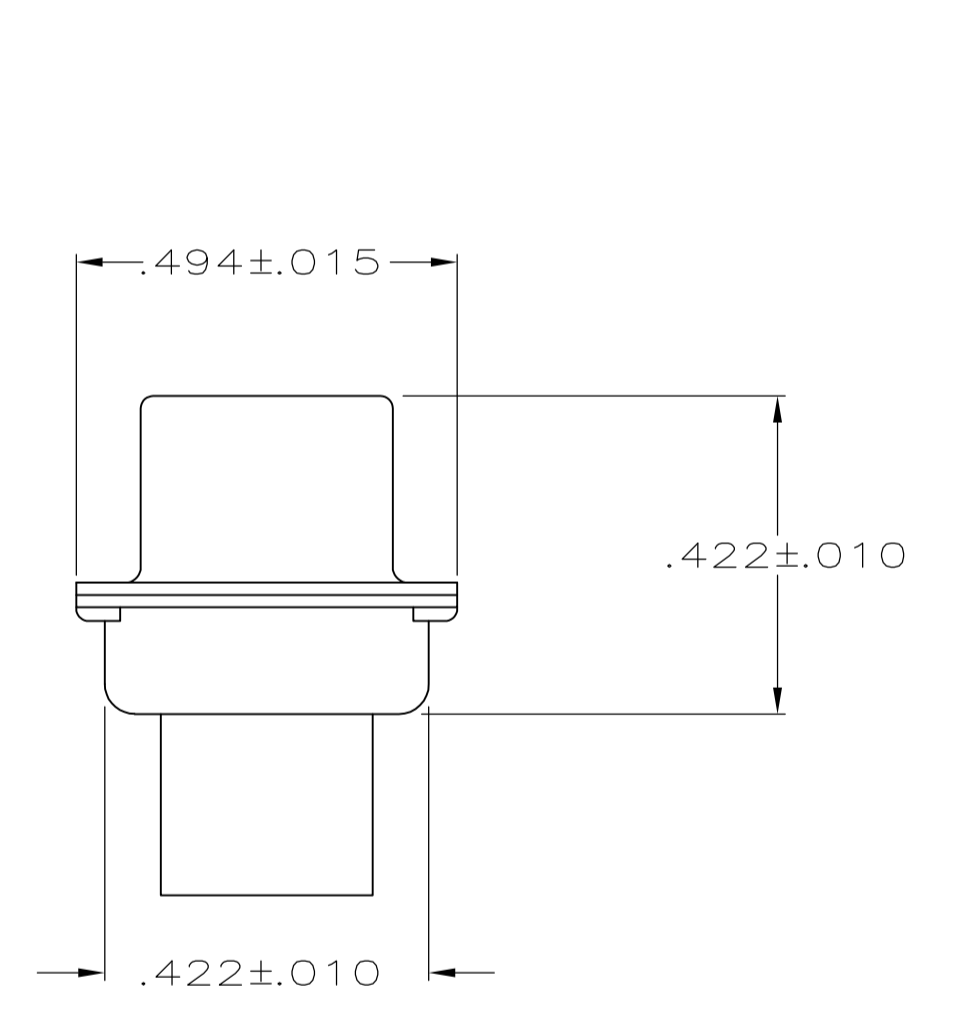
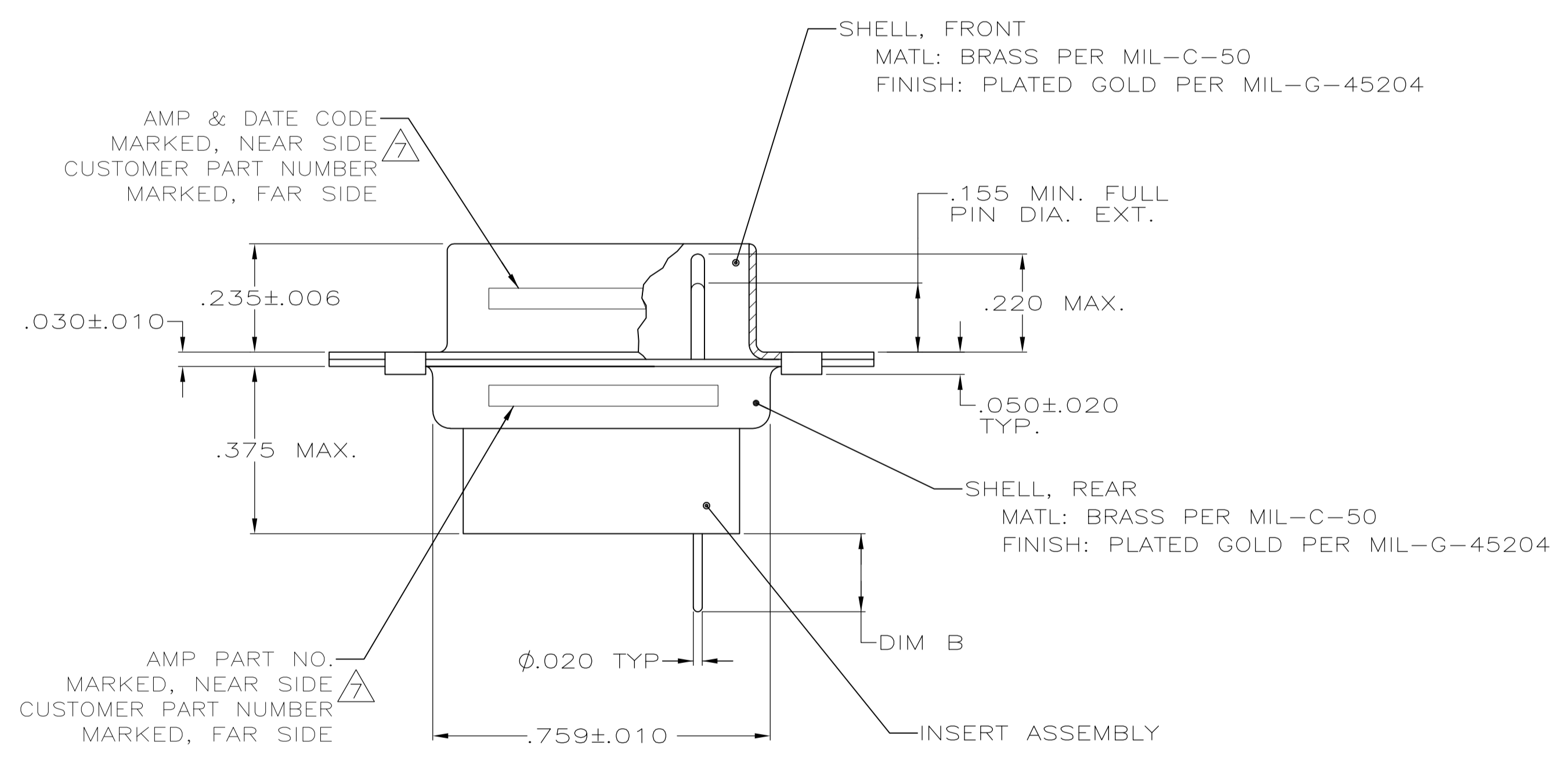
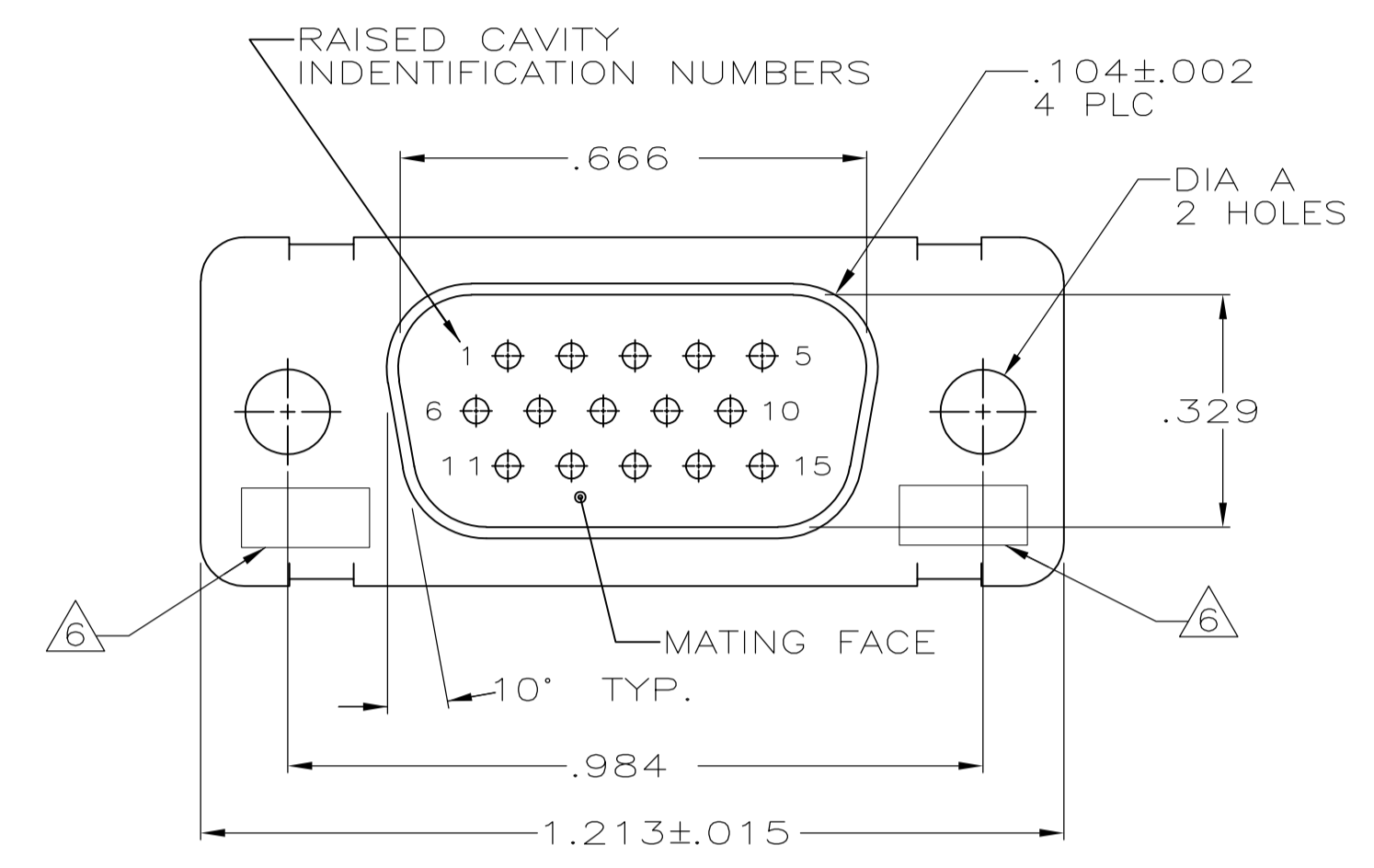


- THIS PLUG WILL MATE WITH ANY RECEPTACLE CONNECTOR WITH THE SAME INSERT ARRANGEMENT AS DEFINED BY MS18273-2.
- MAXIMUM WIRE INSULATION USED WITH THIS RCPT. IS .054 DIA.
- Be-Cu RETENTION CLIPS ARE INCLUDED IN INSERTS.
- AMP PART NO. ONLY, STAMPED AS SHOWN.
- THESE CONNECTORS ARE QUALIFIED TO GODDARD SPACE FLIGHT CENTER SPECIFICATION S-311-P-4.
- UL/CSA DESIGNATION STAMPED IN THIS AREA, OPTIONAL.
- CUSTOMER PART NUMBER MAY BE SPLIT BETWEEN FRONT AND REAR SHELLS, SAME SIDE.
- 25 CONTACTS, AMP PART NUMBER 204370-8, SUPPLIED WITH EACH CONNECTOR.
- CONNECTOR LOADED WITH POSTED CONTACTS. INSPECTION REQUIREMENTS PER GENERAL ELECTRIC DOCUMENT 20025720.
- RESTRICTED TO CAE ELECTRONICS.
- CONNECTOR LOADED WITH POSTED CONTACTS.
- CONNECTOR LOADED WITH POSTED CONTACTS. INSPECTION REQUIREMENTS PER LOCKHEED-MARTIN DOCUMENT 20131204



CONTACT P/N 204370-8
GSFC G-08-P1
(SUPPLIED WITH 209498-8 ONLY)

PRELIMINARY	12	.150±.025	.120	20131204P2015P	1-206498-4	1-206498-4
			.120	570566-7	1-206498-3	1-206498-3
	11	.175±.025	.120	-	1-206498-2	1-206498-2
	5		.120	311P407-1P-B-12	206498-4	1-206498-1
	5		.154	311P407-1P-B-15	206498-1	1-206498-0
	9	.150±.025	.120	2002570P2015P	206498-9	206498-9
	8		.120	3261113-7	206498-8	206498-8
			.154	1622251-003	206498-7	206498-7
OBSOLETE			.120	R4383P15P	206498-6	206498-6
			.120	R4383P15P-2	206498-5	206498-5
	5		.120	311P407-1P-B-12	206498-4	206498-4
			.154	206498-3	206498-3	206498-3
			.120	R9259P15P	206498-2	206498-2
	5		.154	311P407-1P-B-15	206498-1	206498-1
REMARKS		DIM B	DIA A	MARKED CUSTOMER P/N	MARKED AMP P/N	AMP P/N

THIS DRAWING IS A CONTROLLED DOCUMENT.

APPROVED: P. YEAGER, 02OCT2006
CHECKED: D. MILLER, 05OCT06
DESIGNED: D. MILLER, 05OCT06

STE TE Connectivity

NAME: PLUG, PIN CONTACTS
PRODUCT SPEC: HI-DENSITY D CONNECTOR
APPLICATION SPEC: SIZE 1, 15 POSN, NONMAGNETIC

SIZE: A1, 00779, 206498
WEIGHT: --
CUSTOMER DRAWING

SCALE: 4:1, SHEET 1 OF 1, REV AE

X-ON Electronics

Largest Supplier of Electrical and Electronic Components

Click to view similar products for [D-Sub MIL Spec Connectors](#) category:

Click to view products by [TE Connectivity](#) manufacturer:

Other Similar products are found below :

[M85049/50-5F](#) [D38999/24WG11PB-LC](#) [MDM-9SH006A](#) [1218697-4](#) [D38999/26WJ61PC L/C](#) [DA-59-20](#) [1484349-1](#) [17D25HV](#) [1996840-1](#)
[243082-15](#) [1757682-1](#) [17D-E51218-1](#) [17SDA15S](#) [1883533-1](#) [1883886-1](#) [1883889-1](#) [192900-0377](#) [M24308/8-347](#) [M83513/03-E09C](#)
[443961-3](#) [5-1218949-1](#) [550-031NF1R6K](#) [3-1236089-2](#) [550E001NF1R3J0L](#) [550T001NF1R6K0L](#) [557T283NF5B08](#) [DB121073-56](#)
[DC121073157](#) [443869-3](#) [443869-4](#) [443869-5](#) [550S004NF1R1B0F03](#) [557E283NF1A06](#) [527-019NF0303R2K1F](#) [5-446405-1](#) [550-](#)
[031NF1R2E](#) [550E003M2R9J0F04](#) [550E003M3R9J0F05](#) [550E024M104R9J0](#) [550E024NF102R3J0B](#) [550E039NF1R3J1-02](#)
[550S003M3R9B0F05](#) [550S004M4R7M0F04](#) [550S004NF1R1B1F02](#) [550S008M3F0K0F04](#) [550S086M5R3J0L](#) [550S100NF3F0E](#)
[550T001M2R7E0L](#) [550T001NF1F0B1L](#) [550T001NF1R1K0G](#)