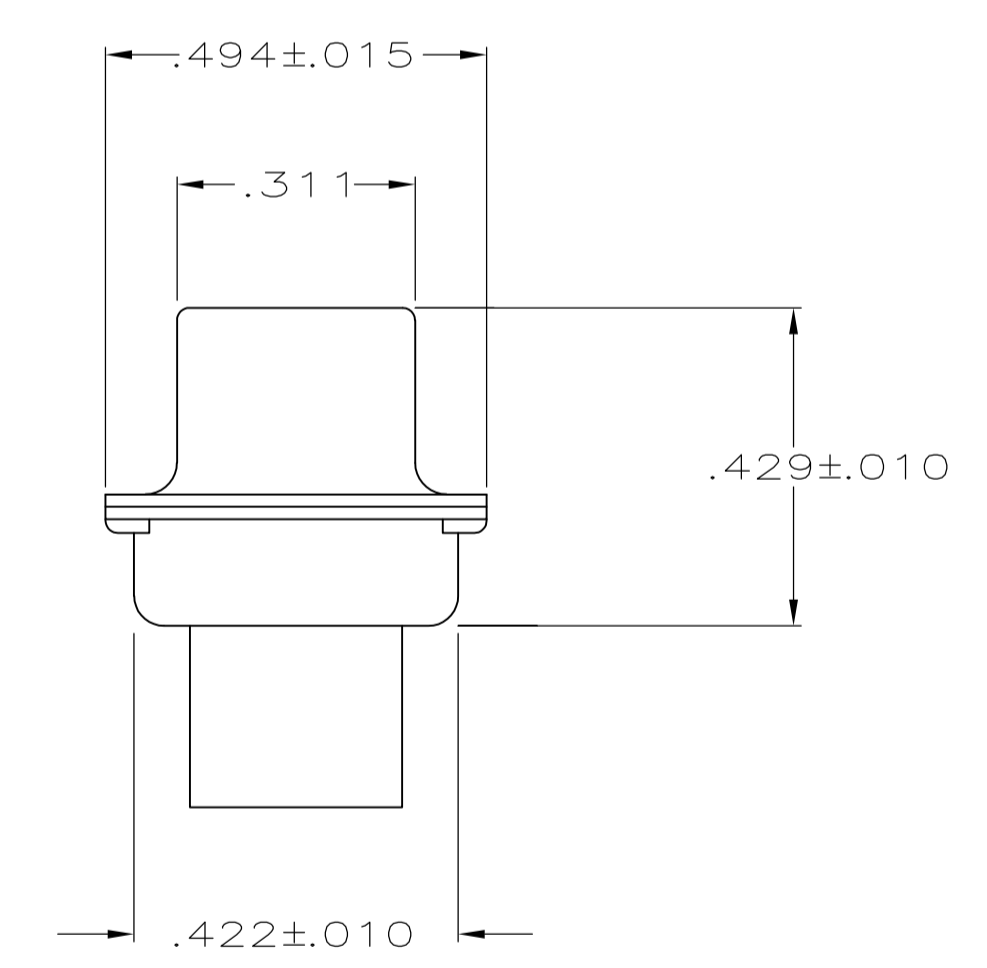
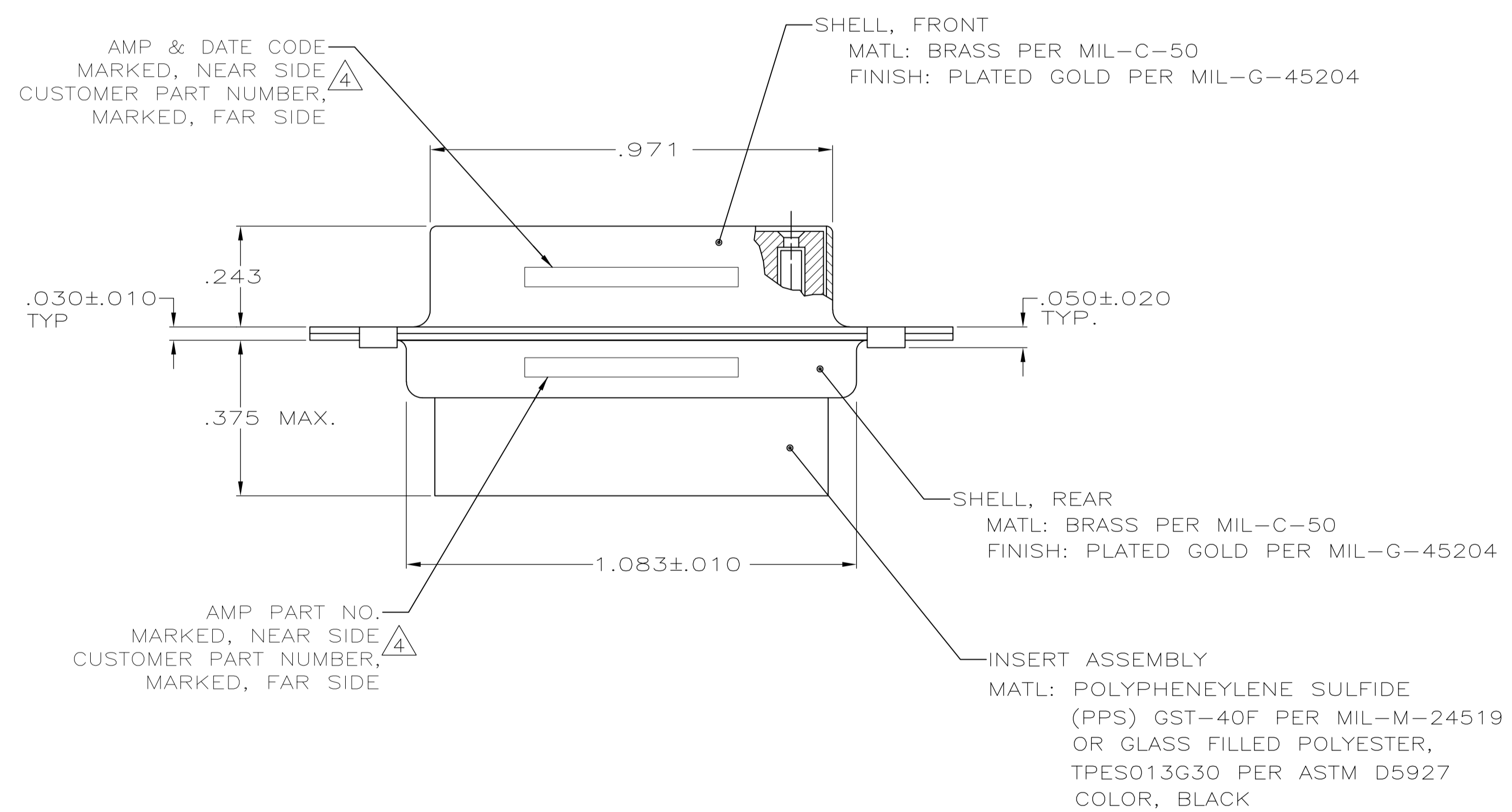
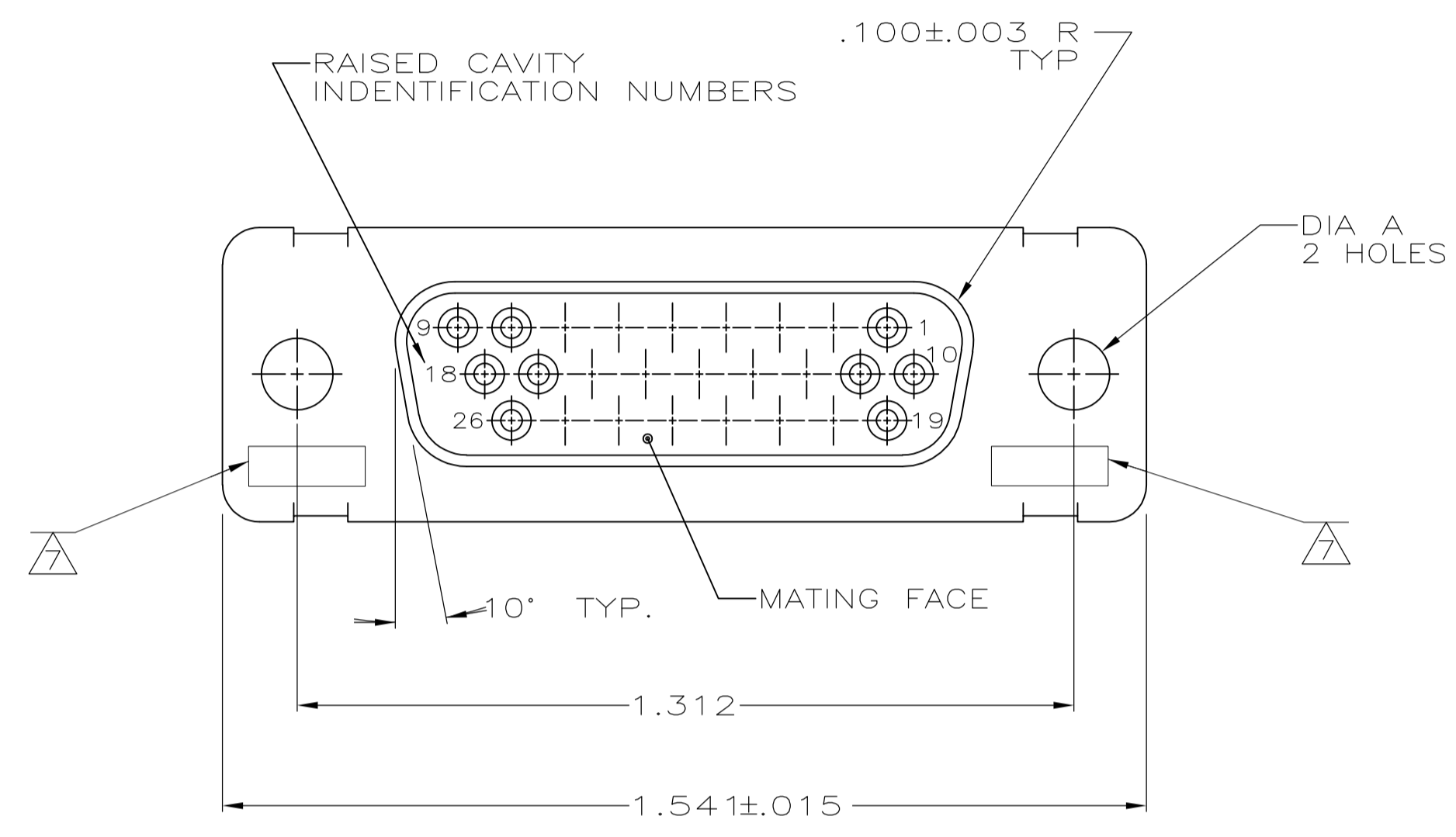


| REVISONS | | DATE | DWN | APVD |
|----------|------|-----------------------|---------|-------|
| LOC | DIST | DESCRIPTION | | |
| V | | REV PER ECO 15-016064 | 11-9-15 | CT CD |

- THIS RECEPTACLE WILL MATE WITH ANY PLUG CONNECTOR WITH THE SAME INSERT ARRANGEMENT AS DEFINED BY MS18274-2.
- MAXIMUM WIRE INSULATION USED WITH THIS RCPT. IS .054 DIA.
- Be-Cu RETENTION CLIPS ARE INCLUDED IN INSERTS.
- CUSTOMER PART NUMBER MAY BE SPLIT BETWEEN FRONT AND REAR SHELLS, SAME SIDE.
- INSPECTION REQUIREMENTS PER R4383.
- CONNECTOR SUPPLIED WITH 29 CONTACTS, AMP PART NUMBER 206071-1. INSPECTION REQUIREMENTS PER R4383 WITHOUT TESTS FOR HIGH ALTITUDE DIELECTRIC WITHSTANDING VOLTAGE AS CALLED FOR IN TABLE II SCREENING AND TESTING.
- UL/CSA DESIGNATION STAMPED IN THIS AREA.
- CONNECTOR SUPPLIED WITH 36 CONTACTS, AMP PART NUMBER 206071-1. CLASS B TESTING PER GE DOCUMENT 20025720, KIT WITH CONTACTS 206071-1.
- THESE CONNECTORS ARE QUALIFIED TO GODDARD SPACE FLIGHT CENTER SPECIFICATION S-311-P-4.
- RESTRICTED TO CAE ELECTRONICS ONLY.



AMP P/N 206071-1
 GSFC P/N G-08-S1
 (SUPPLIED WITH 206064-6 AND 206064-8 ONLY)

| REMARKS | DIA A | MARKED CUSTOMER P/N | MARKED AMP P/N | AMP P/N |
|---------|-------|---------------------|----------------|------------|
| 9 | .120 | 570566-2 | 1-206501-0 | 1-206501-0 |
| 8 | .120 | 311P407-2S-B-12 | 206501-4 | 206501-9 |
| 8 | .120 | 20025720P1026S | 206501-8 | 206501-8 |
| 6 | .154 | 1622380-001 | 206501-7 | 206501-7 |
| 6 | .120 | R4383P26S | 206501-6 | 206501-6 |
| 5 | .120 | R4383P26S-2 | 206501-5 | 206501-5 |
| 9 | .120 | 311P407-2S-B-12 | 206501-4 | 206501-4 |
| 9 | .154 | | 206501-3 | 206501-3 |
| 9 | .120 | R9259P26S | 206501-2 | 206501-2 |
| 9 | .154 | 311P407-2S-B-15 | 206501-1 | 206501-1 |

THIS DRAWING IS A CONTROLLED DOCUMENT.

APPROVED: P. YEAGER, 02OCT2006
 CHK: D. MILLER, 05OCT06
 NAME: D. MILLER, 05OCT06

STE TE Connectivity

RECEPTACLE, PIN CONTACTS
 HI-DENSITY D CONNECTOR
 SIZE 2, 26 POSN, NONMAGNETIC

SIZE: A1, CAGE CODE: 00779, DRAWING NO: 206501, WEIGHT: --, RESTRICTED TO: --

CUSTOMER DRAWING, SCALE: 4:1, SHEET: 1 OF 1, REV: V

X-ON Electronics

Largest Supplier of Electrical and Electronic Components

Click to view similar products for [D-Sub MIL Spec Connectors](#) category:

Click to view products by [TE Connectivity](#) manufacturer:

Other Similar products are found below :

[M85049/50-5F](#) [D38999/24WG11PB-LC](#) [MDM-9SH006A](#) [1218697-4](#) [D38999/26WJ61PC L/C](#) [1484349-1](#) [17D25HV](#) [1996840-1](#) [243082-15](#)
[1757682-1](#) [17D-E51218-1](#) [17SDA15S](#) [1883533-1](#) [1883886-1](#) [1883889-1](#) [192900-0377](#) [M24308/8-347](#) [M83513/03-E09C](#) [443961-3](#) [5-](#)
[1218949-1](#) [550-031NF1R6K](#) [3-1236089-2](#) [550E001NF1R3J0L](#) [550T001NF1R6K0L](#) [557T283NF5B08](#) [DC121073157](#) [443869-3](#) [443869-4](#)
[443869-5](#) [550S004NF1R1B0F03](#) [557E283NF1A06](#) [527-019NF0303R2K1F](#) [5-446405-1](#) [550-031NF1R2E](#) [550E003M2R9J0F04](#)
[550E003M3R9J0F05](#) [550E024M104R9J0](#) [550E024NF102R3J0B](#) [550E039NF1R3J1-02](#) [550S003M3R9B0F05](#) [550S004M4R7M0F04](#)
[550S004NF1R1B1F02](#) [550S008M3F0K0F04](#) [550S086M5R3J0L](#) [550S100NF3F0E](#) [550T001M2R7E0L](#) [550T001NF1F0B1L](#)
[550T001NF1R1K0G](#) [550T001NF1R3K0G](#) [550T001NF1R4K0L](#)