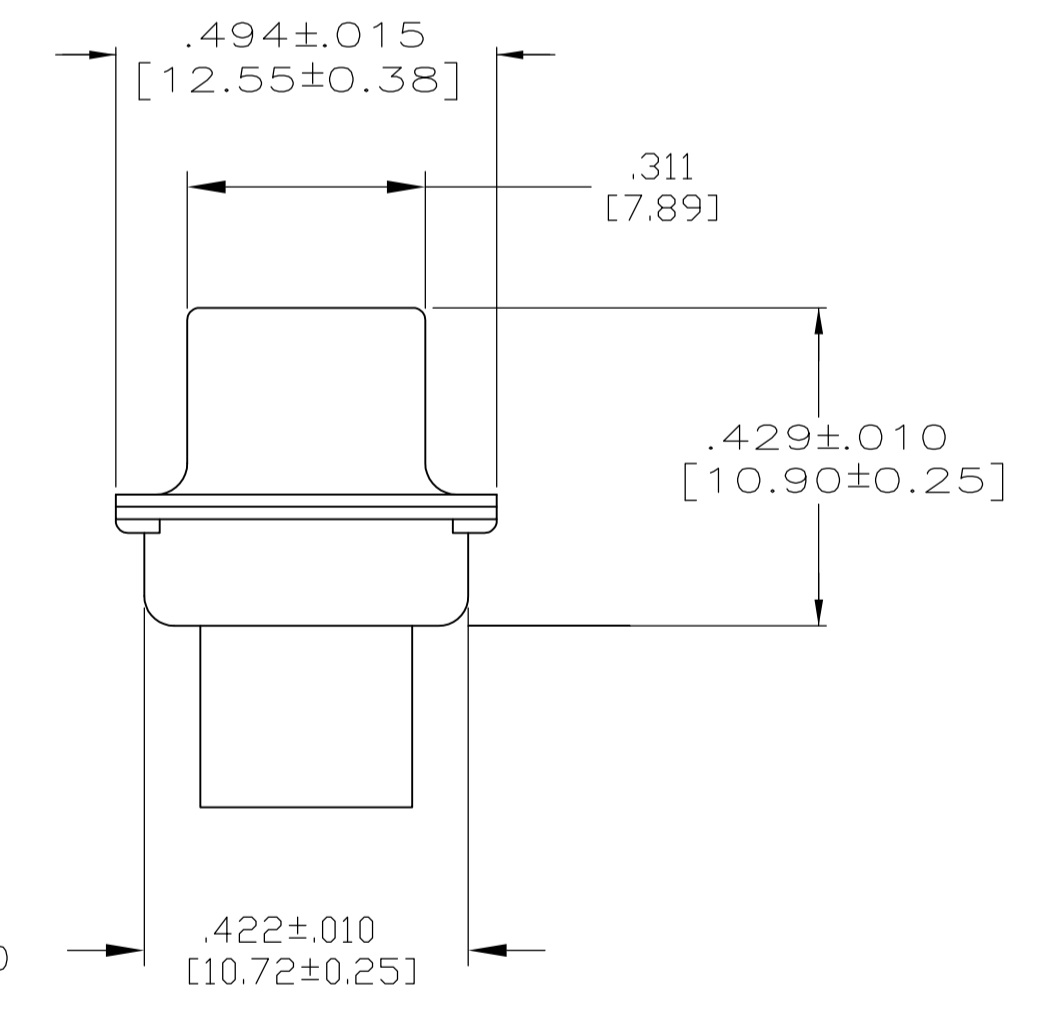
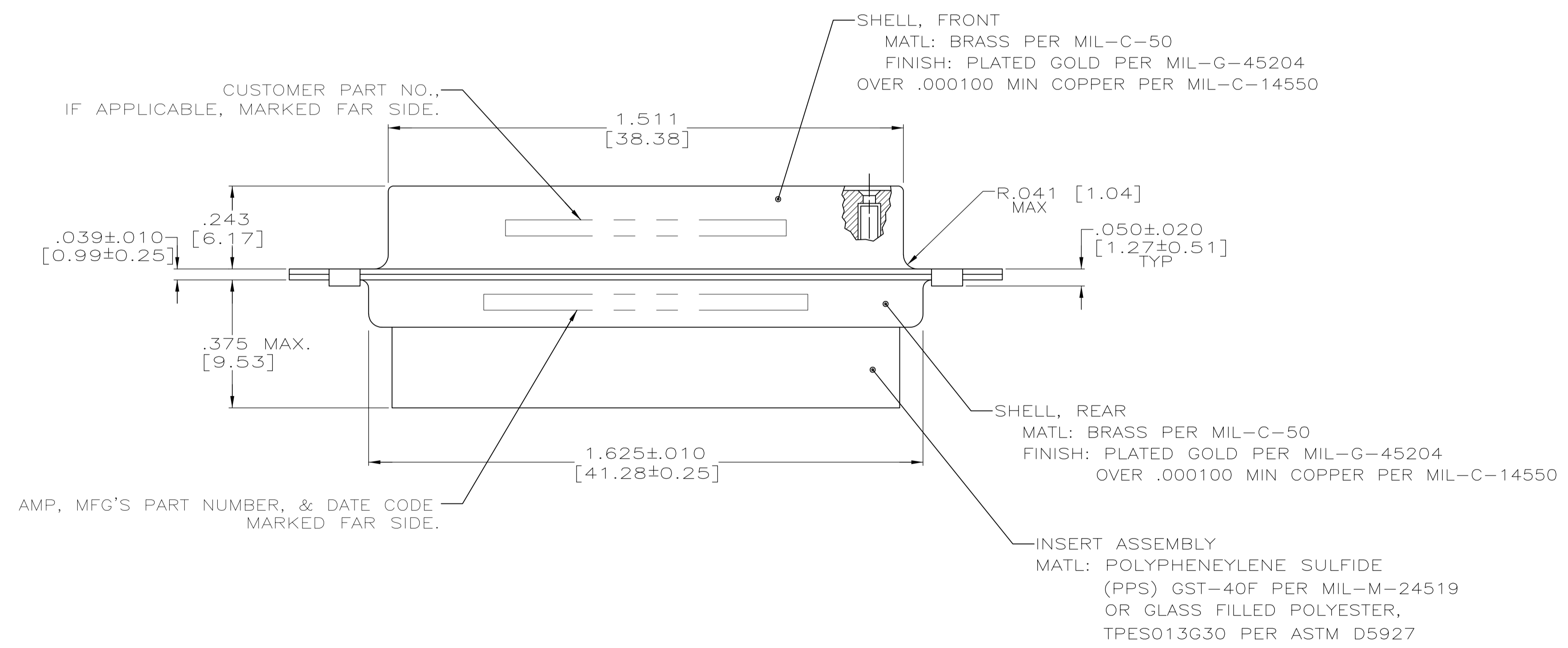
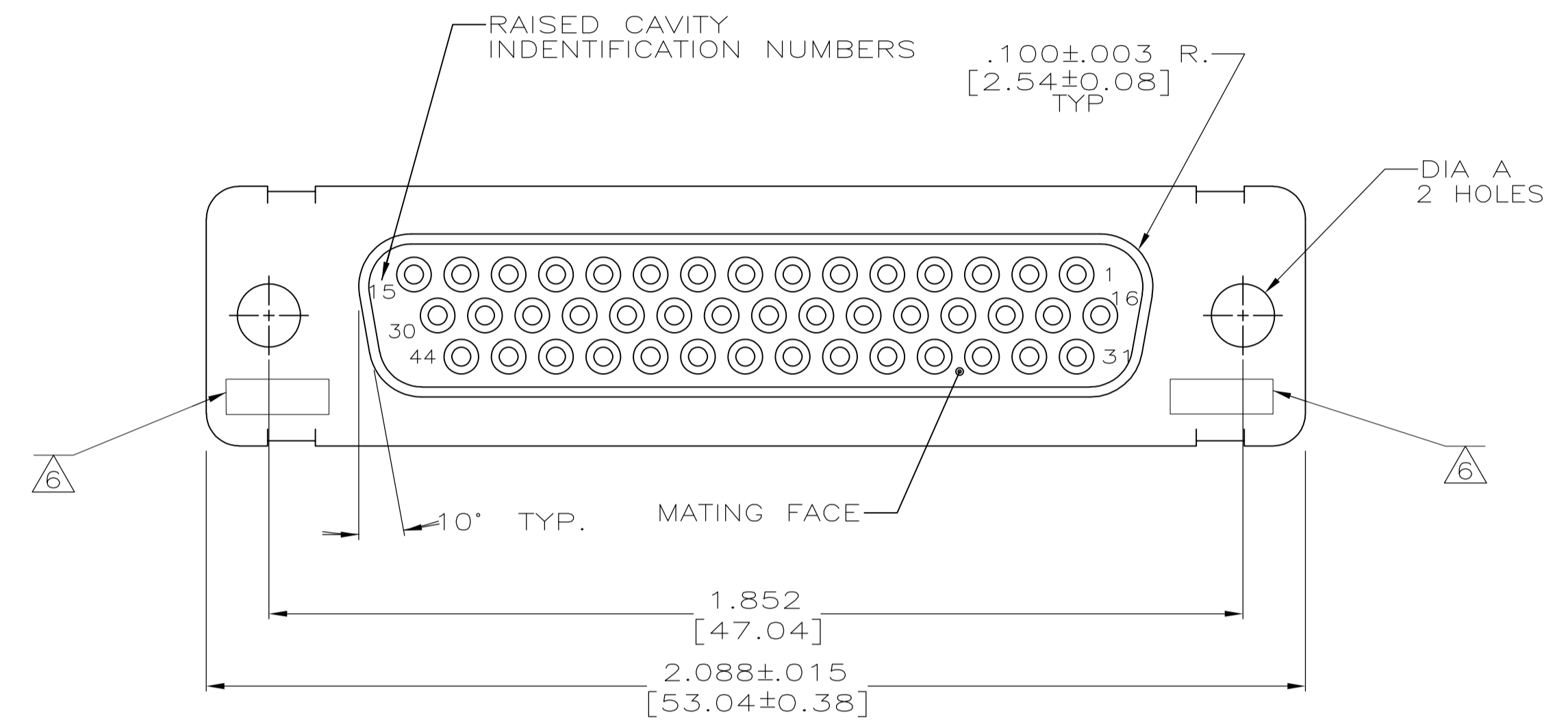


- THIS RECEPTACLE WILL MATE WITH ANY PLUG CONNECTOR WITH THE SAME INSERT ARRANGEMENT AS DEFINED BY MS18275-2.
  - MAXIMUM WIRE INSULATION USED WITH THIS RCPT. IS .054 [1.37] DIA.
  - Be-Cu RETENTION CLIPS ARE INCLUDED IN INSERTS.
- ④ INSPECTION REQUIREMENTS PER R4383.
  - ⑤ CONNECTOR SUPPLIED WITH 49 CONTACTS, MFG'S PART NUMBER 206071-1. INSPECTION REQUIREMENTS PER R4383 WITHOUT TESTS FOR HIGH ALTITUDE DIELECTRIC WITHSTANDING VOLTAGE AS CALLED FOR IN TABLE II SCREENING AND TESTING.
  - ⑥ UL/CSA DESIGNATION MARKED IN THIS AREA, OPTIONAL.
  - ⑦ SPECIAL TESTING PER GE DOCUMENT 20025720. CONNECTOR SUPPLIED WITH 54 CONTACTS, MFG'S P/N 206071-1.
  - ⑧ RESTRICTED TO CAE ELECTRONICS ONLY.
  - ⑨ THESE CONNECTORS ARE QUALIFIED TO GODDARD SPACE FLIGHT CENTER SPECIFICATION S-311-P-4.



MFG'S P/N 206071-1  
GSFC P/N G-08-S1  
(SUPPLIED WITH 206064-7 AND 206064-8 ONLY)

REMARKS	DIA A	CUSTOMER P/N ON CONNECTOR	AMP P/N ON CONNECTOR	MFG'S P/N
⑧⑨	.120 [3.05]	570566-3	1-206064-0	1-206064-0
⑦	.120 [3.05]	311P407-3S-B-12	206064-4	206064-9
⑤	.120 [3.05]	20025720P1044S	206064-8	206064-8
	.120 [3.05]	R4383P44S	206064-7	206064-7
	.120 [3.05]	---	206064-6	206064-6
④	.120 [3.05]	R4383P44S-2	206064-5	206064-5
⑨	.120 [3.05]	311P407-3S-B-12	206064-4	206064-4
	.154 [3.91]	---	206064-3	206064-3
⑨	.154 [3.91]	311P407-3S-B-15	206064-2	206064-2
	.120 [3.05]	R9259P44S	206064-1	206064-1

THIS DRAWING IS A CONTROLLED DOCUMENT.

APPROVED: P. YEAGER, D. MILLER, D. MILLER

DATE: 05OCT06, 05OCT06, 05OCT06

NAME: AMPLIMITE NONMAGNETIC RCPT ASSY SERIES 90, SHELL SIZE 3, 44 POSN

SIZE: A1, CAGE CODE: 00779, DRAWING NO: 206064

SCALE: 4:1, SHEET: 1 OF 1, REV: W

## X-ON Electronics

Largest Supplier of Electrical and Electronic Components

*Click to view similar products for [D-Sub MIL Spec Connectors](#) category:*

*Click to view products by [TE Connectivity](#) manufacturer:*

Other Similar products are found below :

[M85049/50-5F](#) [MDM-21PH046F](#) [850-056-0812](#) [1218697-4](#) [1484349-1](#) [17D25HV](#) [1996840-1](#) [243082-15](#) [1757682-1](#) [17D-E51218-1](#)  
[17SDA15S](#) [1883533-1](#) [1883886-1](#) [1883889-1](#) [192900-0377](#) [M24308/8-347](#) [M83513/03-E09C](#) [443961-3](#) [MDM-21PH041F](#) [MDM-](#)  
[21PH048F](#) [5-1218949-1](#) [550-031NF1R6K](#) [3-1236089-2](#) [550E001NF1R3J0L](#) [550T001NF1R6K0L](#) [557T283NF5B08](#) [DB121073-56](#)  
[DC121073157](#) [443869-3](#) [443869-4](#) [443869-5](#) [550S004NF1R1B0F03](#) [557E283NF1A06](#) [527-019NF0303R2K1F](#) [5-446405-1](#) [550-](#)  
[031NF1R2E](#) [550E003M2R9J0F04](#) [550E003M3R9J0F05](#) [550E024M104R9J0](#) [550E024NF102R3J0B](#) [550E039NF1R3J1-02](#)  
[550S003M3R9B0F05](#) [550S004M4R7M0F04](#) [550S004NF1R1B1F02](#) [550S008M3F0K0F04](#) [550S086M5R3J0L](#) [550S100NF3F0E](#)  
[550T001M2R7E0L](#) [550T001NF1F0B1L](#) [550T001NF1R1K0G](#)