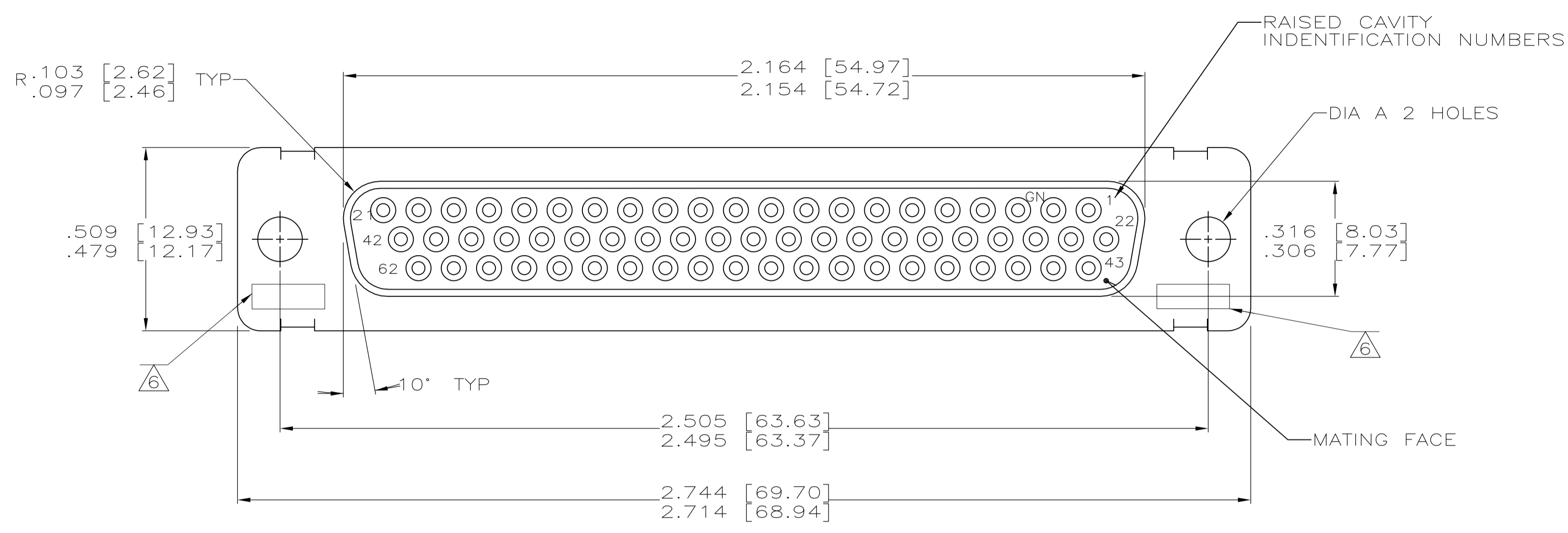
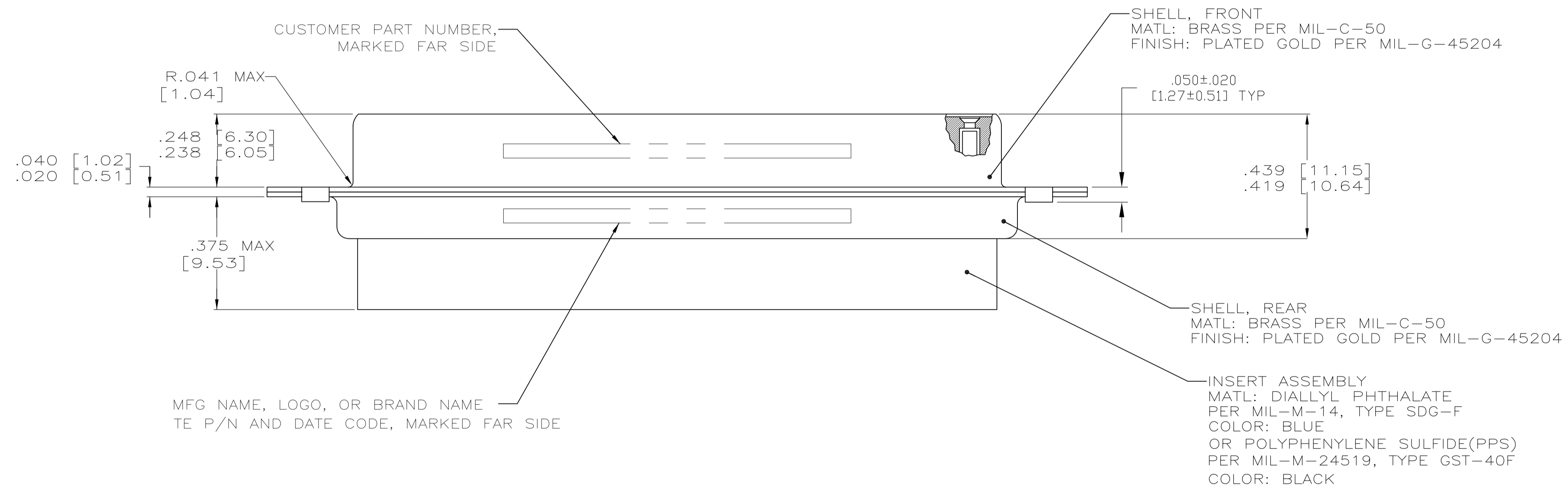


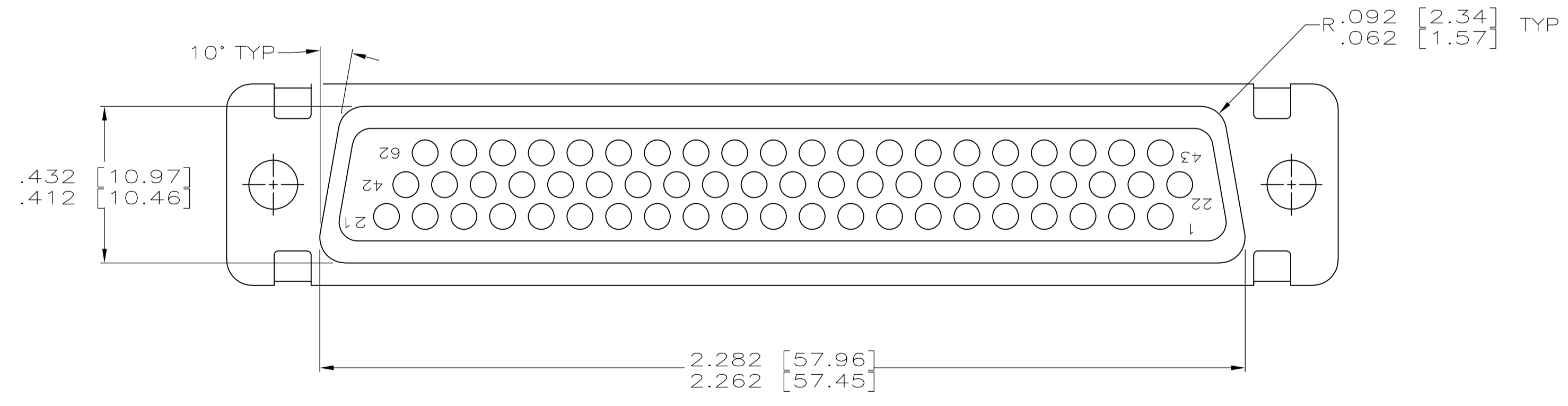
LOC		DIST		REVISIONS			
P	LTR	DESCRIPTION	DATE	DN	APVD		
AA	REV PER ECO	15-016064	11-9-15	CT	CD		



- THIS RECEPTACLE WILL MATE WITH ANY PLUG CONNECTOR WITH SAME INSERT ARRANGEMENT AS DEFINED BY MS18276-2.
- MAXIMUM WIRE INSULATION USED WITH THIS RCPT. IS .054 DIA.
- Be-Cu RETENTION CLIPS ARE INCLUDED IN INSERTS.
- INSPECTION REQUIREMENTS PER R4383.
- CONNECTOR SUPPLIED WITH 69 CONTACTS, AMP PART NUMBER 206071-1. INSPECTION REQUIREMENTS PER R4383 WITHOUT TESTS FOR HIGH ALTITUDE DIELECTRIC WITHSTANDING VOLTAGE AS CALLED FOR IN TABLE II SCREENING AND TESTING.
- UL/CSA DESIGNATION STAMPED IN THIS AREA, OPTIONAL
- SPECIAL TESTING PER GE DOCUMENT 20025720. CONNECTOR SUPPLIED WITH 72 CONTACTS, AMP P/N 206071-1.
- RESTRICTED TO CAE ELECTRONICS ONLY.
- THESE CONNECTORS ARE QUALIFIED TO GODDARD SPACE FLIGHT CENTER SPECIFICATION S-311-P-4.



AMP P/N 206071-1
 GSFC P/N G-08-S1
 (SUPPLIED WITH 206064-6 AND 206064-8 ONLY)



REMARKS	DIA A	ON CONNECTOR	CUSTOMER P/N	TE P/N	ON CONNECTOR	PART NUMBER
SUPERSEDED BY 1996014-4	---	.120	8333648P1	1-206503-2	1-206503-2	
	---	.120	570566-4	1-206503-1	1-206503-1	
	△8 △9	.120	311P407-4S-B-12	206503-4	206503-9	
	△7	.120	20025720P1062S	206503-8	206503-8	
	---	.154	SC81D139-044	206503-7	206503-7	
	△5	.120	R4383P62S	206503-6	206503-6	
	△4	.120	R4383P62S-2	206503-5	206503-5	
	△3	.120	311P407-4S-B-12	206503-4	206503-4	
	---	.154	N/A	206503-3	206503-3	
	---	.120	R9259P62S	206503-2	206503-2	
	△2	.154	311P407-4S-B-15	206503-1	206503-1	

THIS DRAWING IS A CONTROLLED DOCUMENT.

DIMENSIONS: INCHES	TOLERANCES UNLESS OTHERWISE SPECIFIED:	0 PLC ± .005	1 PLC ± .005	2 PLC ± .005	3 PLC ± .005	4 PLC ± .005	ANGLES ± .1°
--------------------	--	--------------	--------------	--------------	--------------	--------------	--------------

MATERIAL: SEE CALLOUTS
 FINISH: SEE CALLOUTS

THIS DRAWING IS A CONTROLLED DOCUMENT. DWG: A.J. GRAFF 12-21-92
 CHK: D. MILLER 12-21-92
 APP'D: D. MILLER 12-21-92
 NAME: AMPLIMITE RCPT ASSY, NON-MAGNETIC, SHELL SIZE 4, 62 POSITION

SIZE: A1
 CAGE CODE: 00779
 DRAWING NO: 206503
 WEIGHT: ---
 CUSTOMER DRAWING

SCALE: 4:1
 SHEET: 1 OF 1
 REV: AA

X-ON Electronics

Largest Supplier of Electrical and Electronic Components

Click to view similar products for [D-Sub High Density Connectors](#) category:

Click to view products by [TE Connectivity](#) manufacturer:

Other Similar products are found below :

[1484349-1](#) [163A16769X](#) [163A16809X](#) [163A17089X](#) [164A17199X](#) [164A17209X](#) [164A17479X](#) [164A18209X](#) [17BH-044S-AA110](#) [K86X-AD-26S](#) [KF66X-E15P-N](#) [241A17320X](#) [242A25680X](#) [242A25740X](#) [L717HDB44POL2R210](#) [L717HDCH62POL2RM5](#) [L717HDEH15POL2L777HDE15P](#) [L77HDC62S](#) [163A16599X](#) [163A16779X](#) [163A16839X](#) [163A17079X](#) [164A17309X](#) [164A17329X](#) [164A18219X](#) [241A16440X](#) [241A16550X](#) [241A16680X](#) [241A17390X](#) [241A20810X](#) [241A25740X](#) [CT25-44P](#) [K66X-E15S-N30](#) [K86X-BA-44S](#) [K86X-ED-15S-BR15](#) [K86X-ED-15SK](#) [L177HDE15SOL2RM23](#) [L177HRC62S](#) [L177HRC62SVFM](#) [L177HRCG62S](#) [L717HDBH44POL2RM5](#) [L717HDEG15POL2RM5](#) [L77HDA26SVF](#) [L77HDE15SD1CO](#) [L77HDEH15SOL2RM832](#) [443895-3](#) [106698-1](#) [5529599](#) [280-012K2C](#)