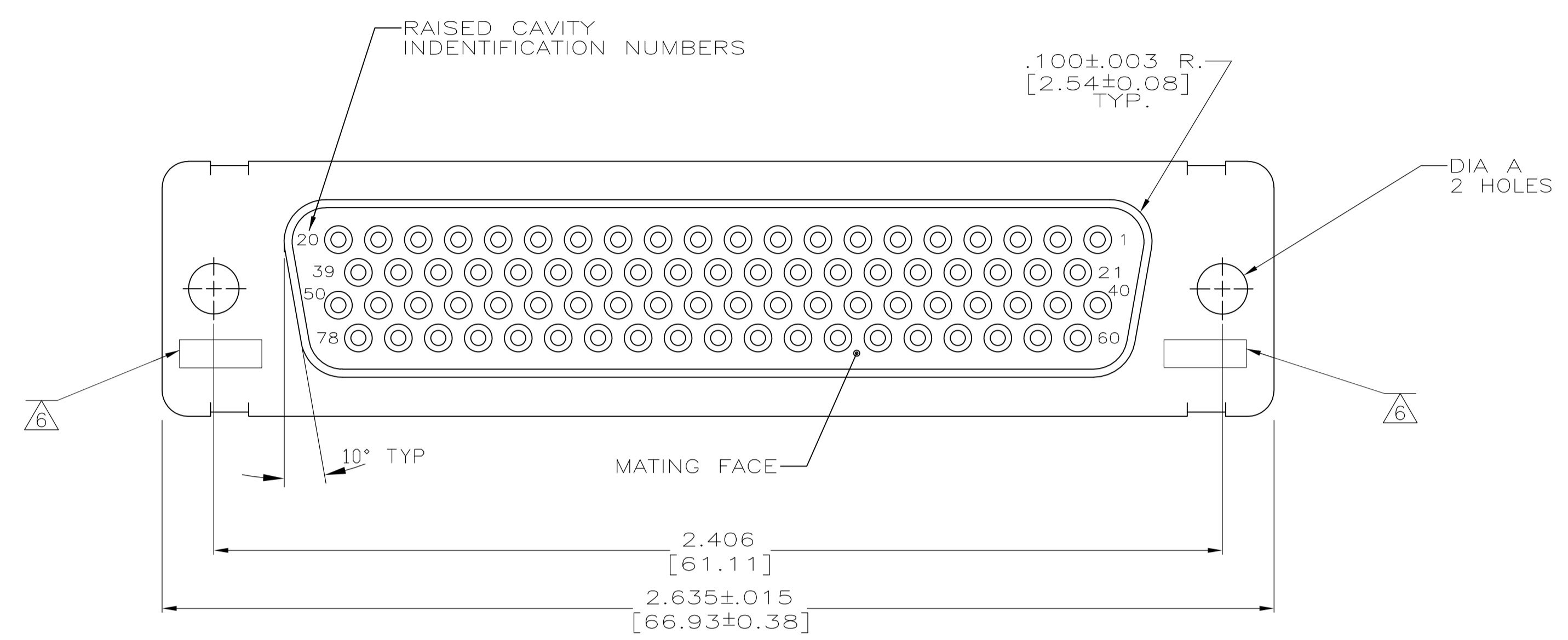
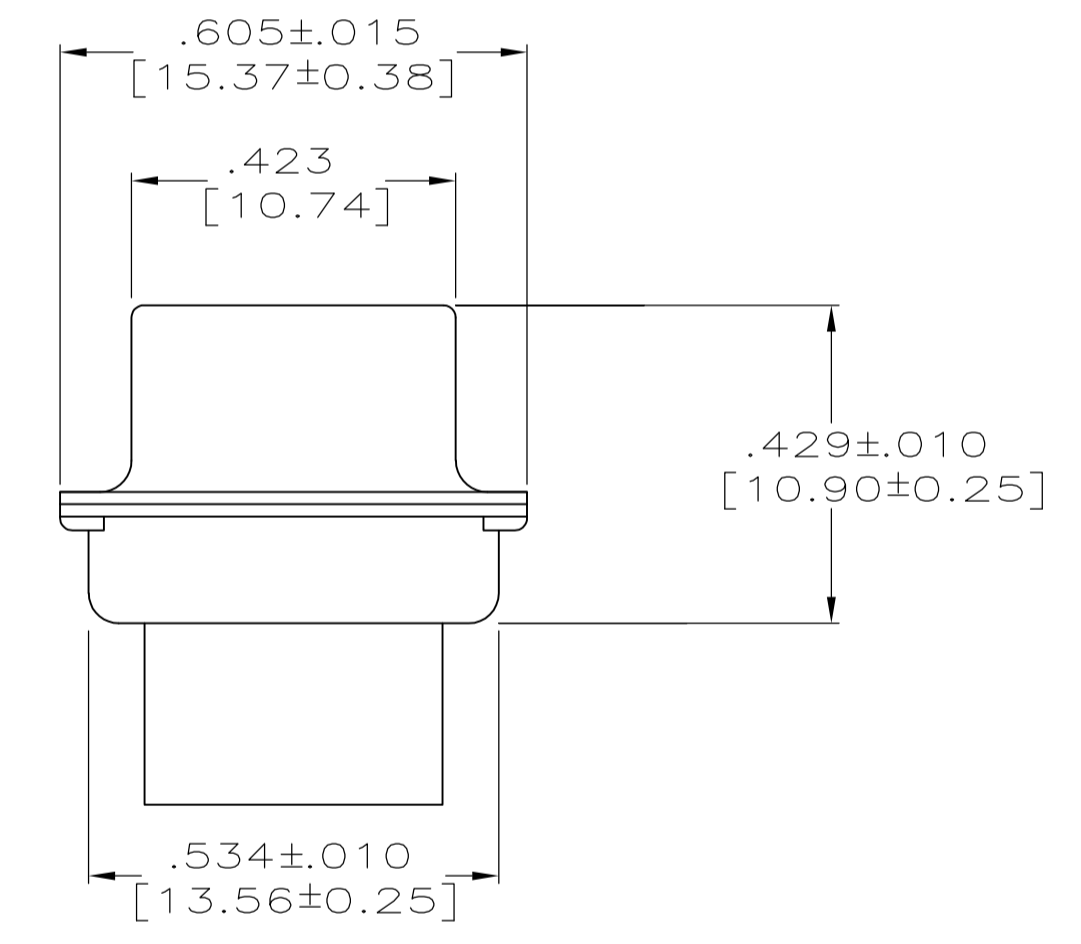
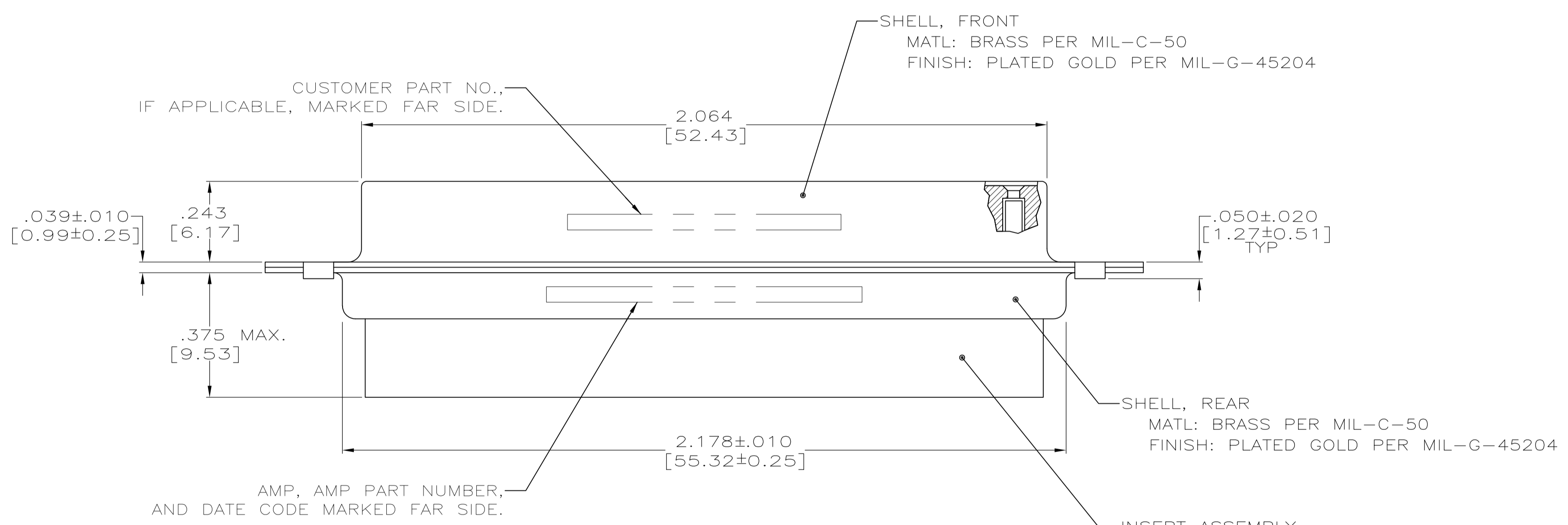


REVISONS		DATE	DWN	APVD
LOC	DIST	DESCRIPTION		
Y		REV PER ECO 15-016064	CT	CD



- THIS RECEPTACLE WILL MATE WITH ANY PLUG CONNECTOR WITH THE SAME INSERT ARRANGEMENT AS DEFINED BY MS18277-2.
 - MAXIMUM WIRE INSULATION USED WITH THIS RCPT. IS .054 [1.37] DIA.
 - Be-Cu RETENTION CLIPS ARE INCLUDED IN INSERTS.
- 4 INSPECTION REQUIREMENTS PER R4383.
 - 5 CONNECTOR SUPPLIED WITH 86 CONTACTS, AMP PART NUMBER 206071-1. INSPECTION REQUIREMENTS PER R4383 WITHOUT TESTS FOR HIGH ALTITUDE DIELECTRIC WITHSTANDING VOLTAGE AS CALLED FOR IN TABLE II SCREENING AND TESTING.
 - 6 UL/CSA DESIGNATION STAMPED IN THIS AREA, OPTIONAL
 - 7 SPECIAL TESTING PER GE DOCUMENT 20025720. CONNECTOR SUPPLIED WITH 88 CONTACTS, AMP P/N 206071-1.
 - 8 RESTRICTED TO CAE ELECTRONICS ONLY.
 - 9 THESE CONNECTORS ARE QUALIFIED TO GODDARD SPACE FLIGHT CENTER SPECIFICATION S-311-P-4.
 - 10 CONNECTOR SUPPLIED WITH 78 CONTACTS, AMP PART NUMBER 206071-1; (NOT INSTALLED).
 - 11 SINGLE LOT DATE CODE AND 100% GROUP "A" ACCEPTANCE TESTING PER CI-2A-019.



AMP P/N 206071-1
GSFC P/N G-08-S1

REV	DESCRIPTION	DATE	DWN	APVD
11	CI-2A-019-004V-001	1-206505-4		1-206505-4
10	570566-5	1-206505-3		1-206505-3
9	LMSC 1621480-006	1-206505-2		1-206505-2
8	LMSC 1621480-006	1-206505-1		1-206505-1
7	311P407-5S-B-12	206505-4		1-206505-0
6	20025720P1078S	206505-9		206505-9
5	R4383P78S	206505-8		206505-8
4		206505-7		206505-7
3	R4383P78S-2	206505-6		206505-6
2	SC81D139-045	206505-5		206505-5
1	311P407-5S-B-12	206505-4		206505-4
		206505-3		206505-3
	R9259P78S	206505-2		206505-2
	311P407-5S-B-15	206505-1		206505-1

REMARKS	DIA A	CUSTOMER P/N ON CONNECTOR	AMP P/N ON CONNECTOR	AMP P/N

THIS DRAWING IS A CONTROLLED DOCUMENT.

APPROVED: M. CLOUSER, 12-16-88
 CHECKED: T. CANTLIN, 1-24-89
 DRAWN: F. KINSEY, 1-25-89

NAME: AMPLIMITE NONMAGNETIC RECEPTACLE ASSEMBLY, SERIES 90, SHELL SIZE 5, 78 POSITION

SIZE: A1, CASE CODE: 00779, DRAWING NO: 206505, RESTRICTED TO: —

MATERIAL: SEE CALLOUTS, FINISH: SEE CALLOUTS, WEIGHT: —, SCALE: 4:1, SHEET: 1 OF 1, REV: Y

X-ON Electronics

Largest Supplier of Electrical and Electronic Components

Click to view similar products for [D-Sub MIL Spec Connectors](#) category:

Click to view products by [TE Connectivity](#) manufacturer:

Other Similar products are found below :

[M85049/50-5F](#) [D38999/24WG11PB-LC](#) [MDM-9SH006A](#) [1218697-4](#) [D38999/26WJ61PC L/C](#) [DA-59-20](#) [1484349-1](#) [17D25HV](#) [1996840-1](#)
[243082-15](#) [1757682-1](#) [17D-E51218-1](#) [17SDA15S](#) [1883533-1](#) [1883886-1](#) [1883889-1](#) [192900-0377](#) [M24308/8-347](#) [M83513/03-E09C](#)
[443961-3](#) [5-1218949-1](#) [550-031NF1R6K](#) [3-1236089-2](#) [550E001NF1R3J0L](#) [550T001NF1R6K0L](#) [557T283NF5B08](#) [DB121073-56](#)
[DC121073157](#) [443869-3](#) [443869-4](#) [443869-5](#) [550S004NF1R1B0F03](#) [557E283NF1A06](#) [527-019NF0303R2K1F](#) [550-031NF1R2E](#)
[550E003M2R9J0F04](#) [550E003M3R9J0F05](#) [550E024M104R9J0](#) [550E024NF102R3J0B](#) [550E039NF1R3J1-02](#) [550S003M3R9B0F05](#)
[550S004M4R7M0F04](#) [550S004NF1R1B1F02](#) [550S008M3F0K0F04](#) [550S086M5R3J0L](#) [550S100NF3F0E](#) [550T001M2R7E0L](#)
[550T001NF1F0B1L](#) [550T001NF1R1K0G](#) [550T001NF1R3K0G](#)