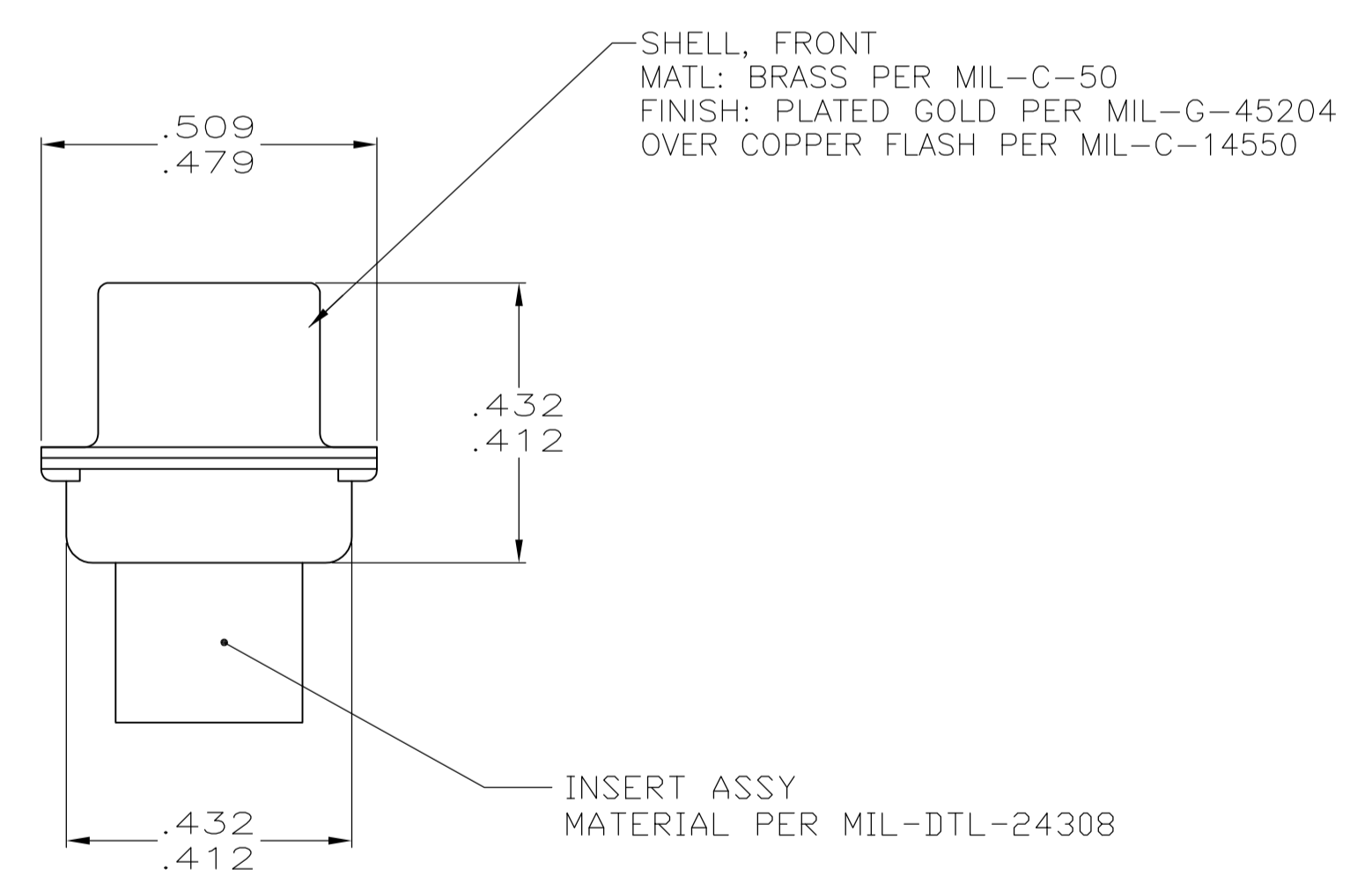
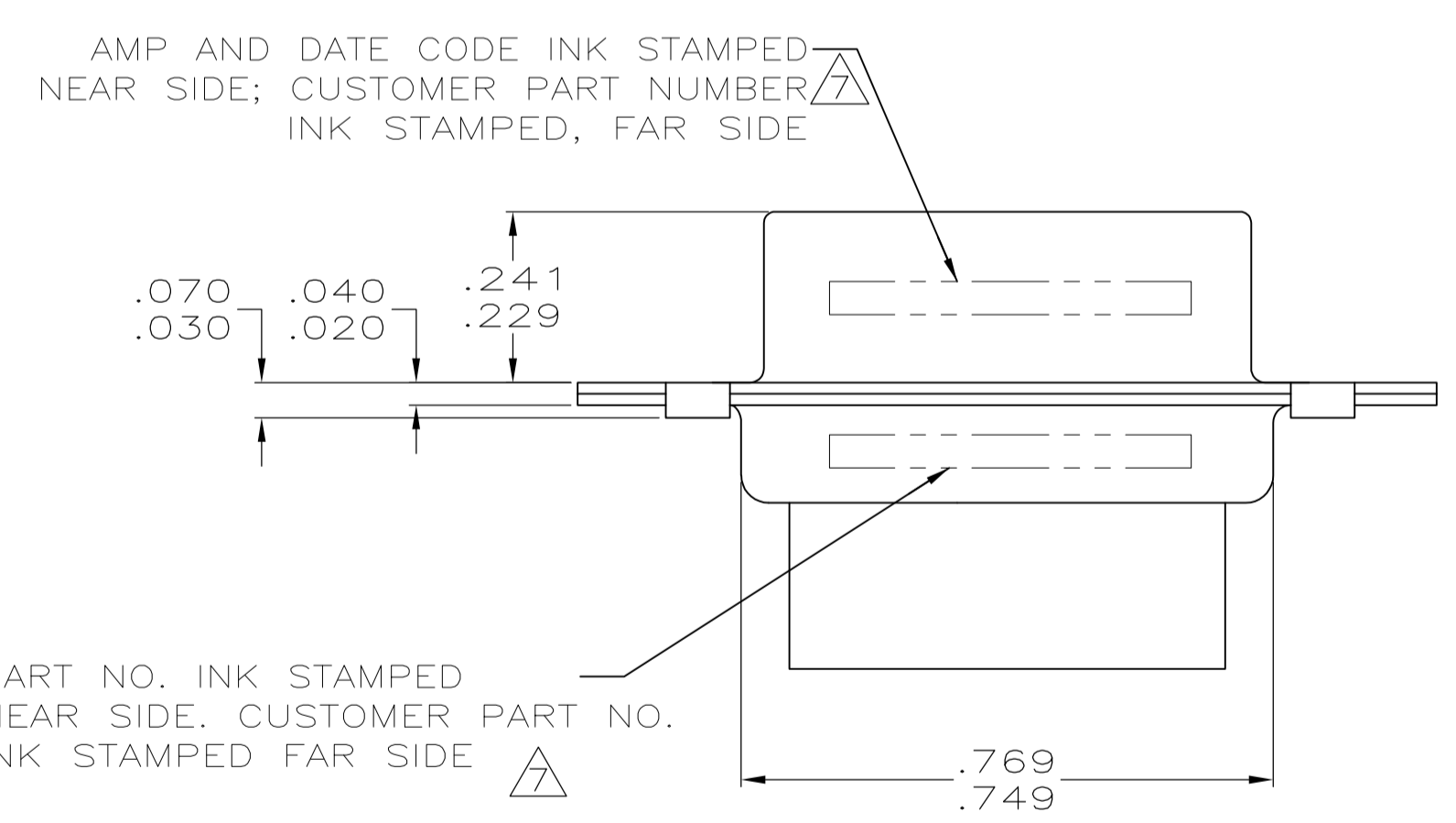
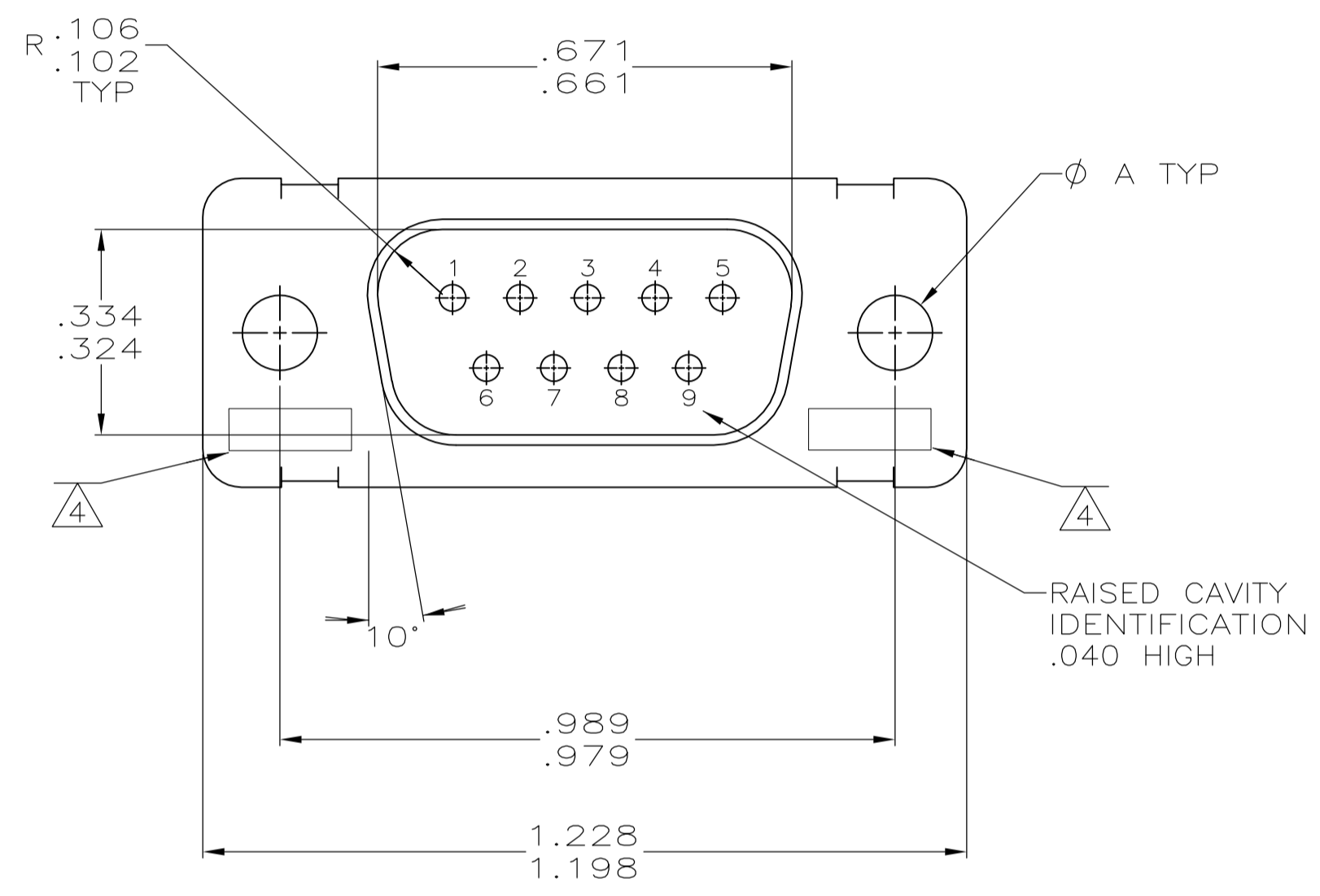


LOC		DIST		REVISIONS			
P	LTR	DESCRIPTION	DATE	DNW	APVD		
N	REV PER ECO	15-016064	11-9-15	CT	CD		



1. THIS PLUG WILL MATE WITH ANY RECEPTACLE CONNECTOR WITH THE SAME INSERT ARRANGEMENT AS DEFINED BY MS18273-1.
 2. MAXIMUM WIRE INSULATION USED WITH THIS PLUG IS .072 DIA.
 3. BE CU RETENTION CLIPS ARE INCLUDED IN INSERTS.
 4. UL/CSA DESIGNATION STAMPED IN THIS AREA.
 5. THESE CONNECTORS ARE QUALIFIED TO GODDARD SPACE FLIGHT CENTER SPECIFICATION S-311-P-4.
 6. CONNECTOR SUPPLIED WITHOUT CONTACTS; SHOWN FOR DIMENSIONAL REFERENCE ONLY.
- △ CUSTOMER PART NUMBER MAY BE SPLIT BETWEEN FRONT AND REAR SHELLS, SAME SIDE. FAR SIDE REFERS TO WIDE SIDE OF KEYSTONE, NEAR SIDE REFERS TO NARROW SIDE OF KEYSTONE.
- △ RESTRICTED TO CAE ELECTRONICS ONLY.

		.120	570513-6	207252-6	207252-6
	5 8	.120	311P409-1P-B-12	207252-2	207252-5
OBS		.120	2A014-001V-001	207252-4	207252-4
OBS		.120	---	207252-3	207252-3
	5	.120	311P409-1P-B-12	207252-2	207252-2
	5	.154	311P409-1P-B-15	207252-1	207252-1
	REMARKS	A	INK STAMP CUSTOMER P/N	INK STAMP PART NUMBER	PART NUMBER

THIS DRAWING IS A CONTROLLED DOCUMENT.

DIMENSIONS: INCHES	TOLERANCES UNLESS OTHERWISE SPECIFIED:	0 PLC ± -	1 PLC ± -	2 PLC ± -	3 PLC ± .005	4 PLC ± - # Z	ANGLES ± # Z
--------------------	----------------------------------------	-----------	-----------	-----------	--------------	---------------	--------------

MATERIAL: SEE CALLOUTS. FINISH: SEE CALLOUTS. WEIGHT: -. SIZE: A1. SCALE: 4:1. SHEET: 1 OF 1. REV: N.

THOMPSON 08-12-93
 KINSEY 08-19-93
 KINSEY 08-19-93

STE TE Connectivity

PLUG FOR PIN CONTACTS
 SERIES 109, SIZE 1, NONMAGNETIC
 9 POSITION

CUSTOMER DRAWING 00779-207252

X-ON Electronics

Largest Supplier of Electrical and Electronic Components

Click to view similar products for [D-Sub MIL Spec Connectors](#) category:

Click to view products by [TE Connectivity](#) manufacturer:

Other Similar products are found below :

[M85049/50-5F](#) [D38999/24WG11PB-LC](#) [MDM-9SH006A](#) [850-056-0812](#) [1218697-4](#) [D38999/26WJ61PC L/C](#) [1484349-1](#) [17D25HV](#)
[1996840-1](#) [243082-15](#) [1757682-1](#) [17D-E51218-1](#) [17SDA15S](#) [1883533-1](#) [1883886-1](#) [1883889-1](#) [192900-0377](#) [M24308/8-347](#) [M83513/03-](#)
[E09C](#) [443961-3](#) [5-1218949-1](#) [550-031NF1R6K](#) [3-1236089-2](#) [550E001NF1R3J0L](#) [550T001NF1R6K0L](#) [557T283NF5B08](#) [DC121073157](#)
[443869-3](#) [443869-4](#) [443869-5](#) [550S004NF1R1B0F03](#) [557E283NF1A06](#) [527-019NF0303R2K1F](#) [5-446405-1](#) [550-031NF1R2E](#)
[550E003M2R9J0F04](#) [550E003M3R9J0F05](#) [550E024M104R9J0](#) [550E024NF102R3J0B](#) [550E039NF1R3J1-02](#) [550S003M3R9B0F05](#)
[550S004M4R7M0F04](#) [550S004NF1R1B1F02](#) [550S008M3F0K0F04](#) [550S086M5R3J0L](#) [550S100NF3F0E](#) [550T001M2R7E0L](#)
[550T001NF1F0B1L](#) [550T001NF1R1K0G](#) [550T001NF1R3K0G](#)