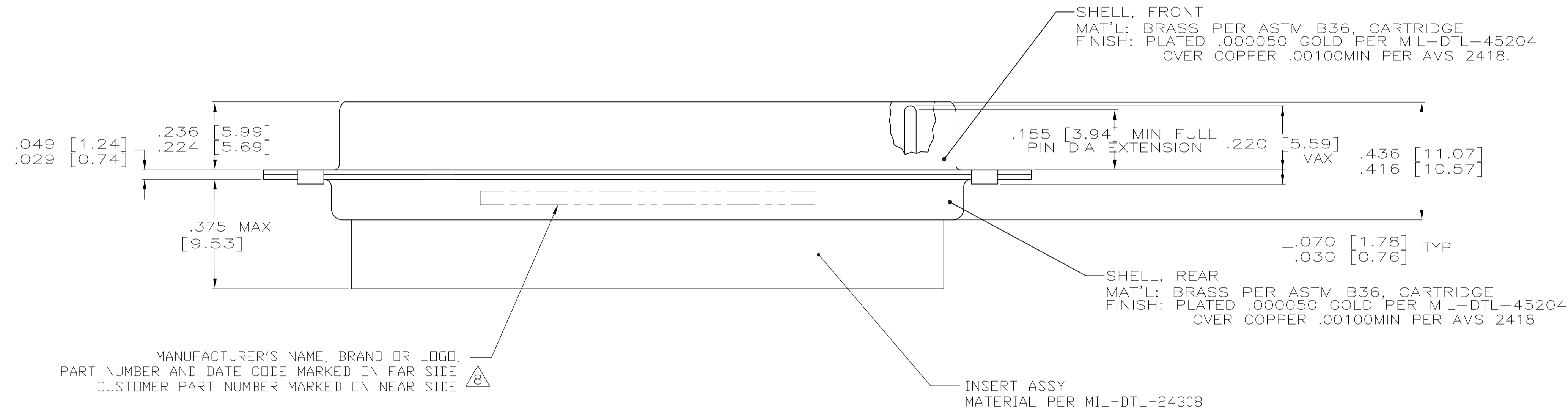
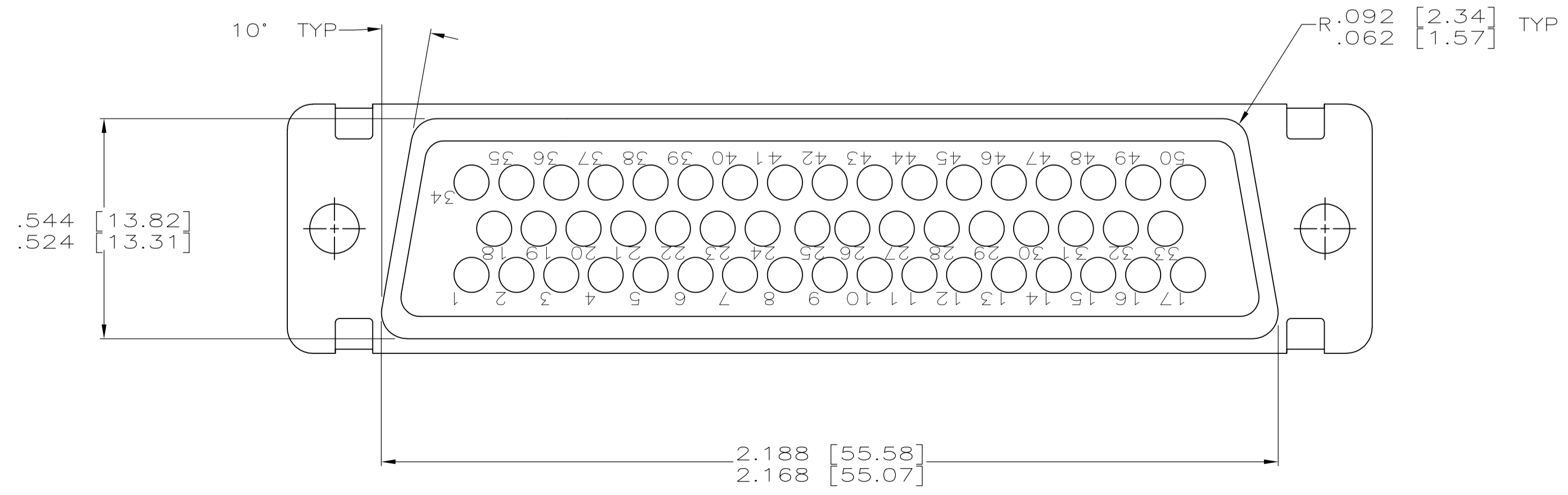


1. THIS PLUG WILL MATE WITH ANY RECEPTACLE CONNECTOR WITH THE SAME INSERT ARRANGEMENT AS DEFINED BY MS18277-1.
 2. MAXIMUM WIRE INSULATION USED WITH THIS PLUG IS .072 [1.83] DIA.
 3. Be-Cu RETENTION CLIPS ARE INCLUDED IN INSERTS.
 4. UL/CSA DESIGNATION STAMPED IN THIS AREA, OPTIONAL.
 5. RESTRICTED TO CAE ELECTRONIC ONLY.
 6. THESE CONNECTORS ARE QUALIFIED TO GODDARD SPACE FLIGHT CENTER SPECIFICATION S-311-P-4.
 7. CONTACT NOT INCLUDED - SHOWN FOR DIMENSIONAL REFERENCE ONLY.
8. FAR SIDE REFERS TO WIDE SIDE OF KEYSTONE.



MANUFACTURER'S NAME, BRAND OR LOGO, PART NUMBER AND DATE CODE MARKED ON FAR SIDE. CUSTOMER PART NUMBER MARKED ON NEAR SIDE.



| | | | | |
|---------|-------------|---------------------------|----------------------|----------|
| 5/6 | .120 [3.05] | 1A01-031PHA | 206804-5 | 206804-5 |
| 5/6 | .120 [3.05] | 311P409-5P-B-12 | 206804-2 | 206804-4 |
| | .154 [3.91] | N/A | 206804-3 | 206804-3 |
| 6 | .120 [3.05] | 311P409-5P-B-12 | 206804-2 | 206804-2 |
| 6 | .154 [3.91] | 311P409-5P-B-15 | 206804-1 | 206804-1 |
| REMARKS | DIA A | CUSTOMER P/N ON CONNECTOR | MFG P/N ON CONNECTOR | MFG P/N |

THIS DRAWING IS A CONTROLLED DOCUMENT.

| | | | | | | | | | | | |
|-----------------------|--|-----------|-----------|-----------|-----------|-----------|------------|------------|----------|---------------|---|
| DIMENSIONS: INCHES | TOLERANCES UNLESS OTHERWISE SPECIFIED: | 0 PLC ± - | 1 PLC ± - | 2 PLC ± - | 3 PLC ± - | 4 PLC ± - | ANGLES ± - | | | | |
| MATERIAL SEE CALLOUTS | FINISH SEE CALLOUTS | WEIGHT | — | SIZE | A1 | CAGE CODE | 00779 | DRAWING NO | C=206804 | RESTRICTED TO | — |

CUSTOMER DRAWING SCALE 4:1 SHEET 1 OF 1 REV

X-ON Electronics

Largest Supplier of Electrical and Electronic Components

Click to view similar products for [D-Sub Standard Connectors](#) category:

Click to view products by [TE Connectivity](#) manufacturer:

Other Similar products are found below :

[DCM37S732N](#) [DAM15P500](#) [DEV09S364GTLF](#) [DEM09P032N](#) [DDM50P732N](#) [DAM15S332N](#) [173109-2218](#) [173109-2466](#) [173109-2469](#)
[173109-2435](#) [56F706-005-LI](#) [56F711-015](#) [015-0341-000](#) [017041-0005](#) [012-9507-114](#) [012-9534-001](#) [609-25P](#) [M24308/2-23Z](#) [M243082310F](#)
[M24308/2-36Z](#) [M243082411F](#) [M24308315F](#) [M24308/4-21](#) [M243084437F](#) [CT0M22-23SS](#) [CT1N36-5SC](#) [CT2-16S-17PS](#) [CT2-20-15PCAU](#)
[CT2-24-12PS](#) [CT2-24-28PSF127A206](#) [CT6F9767-14-4-14S-5PC](#) [CT7-18-10SC](#) [CT7-18-10SCAU](#) [CT7-18-12SCAU](#) [CT7-18-1PC](#) [CT7-18-](#)
[1PCAU](#) [CT7-18-1SC](#) [CT7-18-21SCAU](#) [CT9-16-12PS](#) [M83513/01-FC](#) [M83723/76W24619 L/C](#) [M85049/48-3-2F](#) [69001-865](#)
[6STD09PCM99B70X](#) [6STD09SCM99B30X](#) [6STD09SCT99S40X](#) [6STD15PCT99S40X](#) [6STD15SCM99B30X](#) [6STD15SCT99S40X](#)
[6STF09PCM05B70X](#)