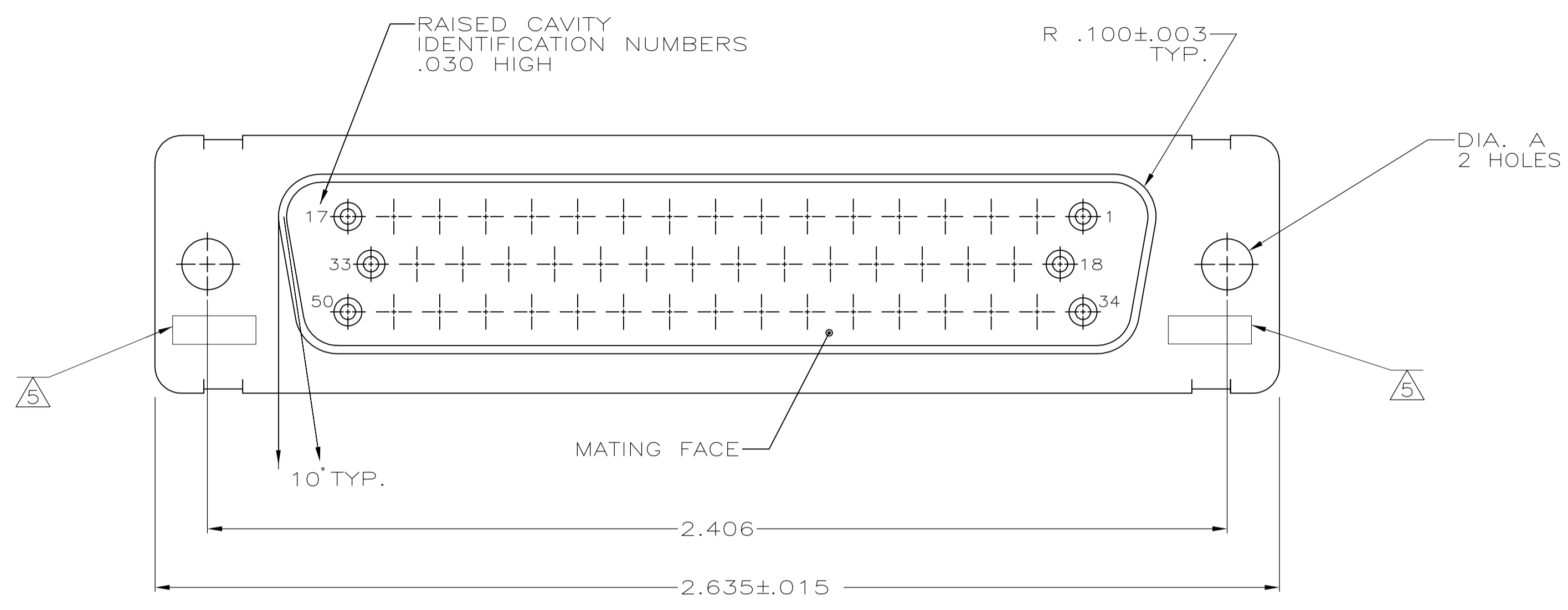
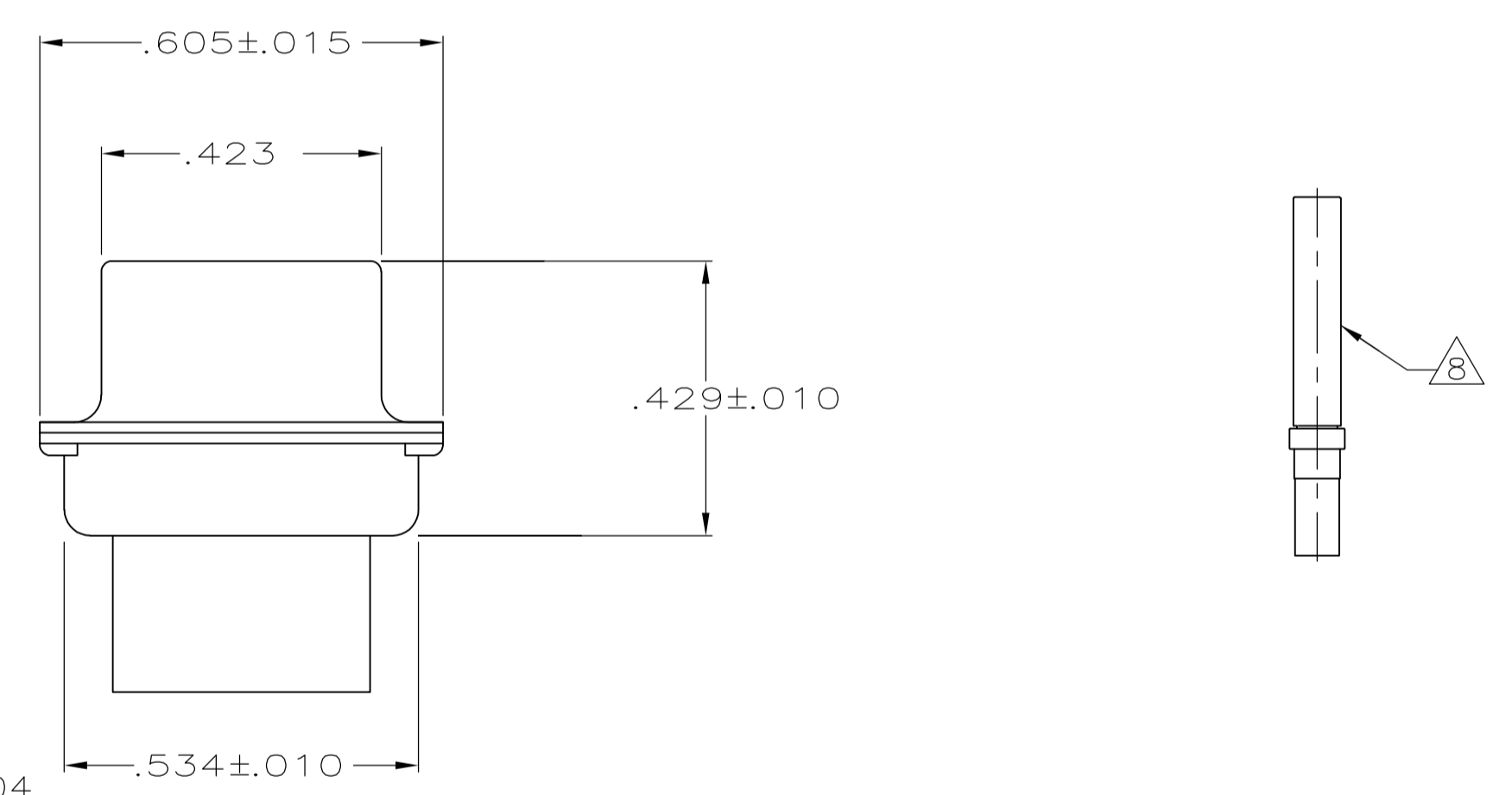
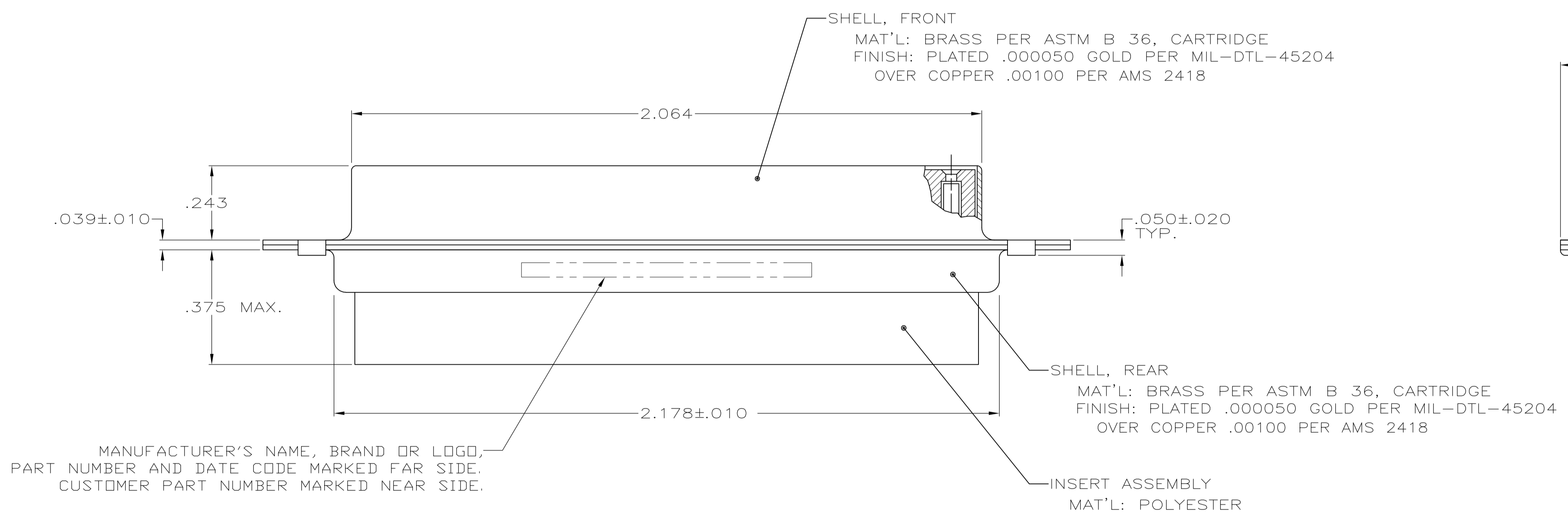


| LOC | | DIST | | REVISIONS | | | |
|-----|-----|----------------------|----------|-----------|------|--|--|
| P | LTR | DESCRIPTION | DATE | DNW | APVD | | |
| S | | REV PER ECO 11-17711 | 10-18-11 | CT | RL | | |



1. THIS RECEPTACLE WILL MATE WITH ANY PLUG CONNECTOR WITH THE SAME INSERT ARRANGEMENT AS DEFINED BY MS18277-1.
2. MAXIMUM WIRE INSULATION USED WITH THIS RCPT. IS .072 DIA. MAX.
3. Be-Cu RETENTION CLIPS ARE INCLUDED IN INSERTS.
- 4 FAR SIDE REFERS TO WIDE SIDE OF KEYSTONE.
- 5 UL/CSA DESIGNATION STAMPED IN THIS AREA, OPTIONAL
- 6 THIS CONNECTOR IS QUALIFIED TO GODDARD SPACE FLIGHT CENTER S-311-P-4.
- 7 RESTRICTED TO CAE ELECTRONICS ONLY.
- 8 CONNECTOR SUPPLIED WITH 50 CONTACTS, AMP PART NUMBER 206793-1; (NOT INSTALLED).



MANUFACTURER'S NAME, BRAND OR LOGO, PART NUMBER AND DATE CODE MARKED FAR SIDE. CUSTOMER PART NUMBER MARKED NEAR SIDE.

NOT RELEASED FOR PRODUCTION
OBSOLETE
OBSOLETE

| | | | | |
|---------|-------|---------------------|----------------|-------------|
| 8 | .120 | LMSC 1621480-005 | 206805-9 | 206805-9 |
| | .120 | LMSC 1621480-005 | 206805-8 | 206805-8 |
| 6 7 | .120 | 311P409-5S-B-12 | 206805-2 | 206805-7 |
| | | 1A01-032RHA | | 206805-6 |
| | | | | 206805-5 |
| | .120 | 2A014-010V-001 | 206805-4 | 206805-4 |
| | .154 | | 206805-3 | 206805-3 |
| 6 | .120 | 311P409-5S-B-12 | 206805-2 | 206805-2 |
| 6 | .154 | 311P409-5S-B-15 | 206805-1 | 206805-1 |
| REMARKS | DIA A | MARKED CUSTOMER P/N | MARKED MFG P/N | PART NUMBER |

THIS DRAWING IS A CONTROLLED DOCUMENT. DIM: M. CLOUSER 1-4-89. CHK: T. CANTLIN 1-24-89. NAME: RECEPTACLE FOR SOCKET CONTACTS, SERIES 109, 50 POSITION, AMPLIMITE.

| DIMENSIONS: INCHES | TOLERANCES UNLESS OTHERWISE SPECIFIED: | PRODUCT SPEC | APPLICATION SPEC | SIZE | CAGE CODE | DRAWING NO | RESTRICTED TO |
|-----------------------|--|--------------|------------------|-------|-----------|------------|---------------|
| 0 PLC | ± .005 | | | A1 | 00779 | 206805 | |
| 1 PLC | ± .005 | | | | | | |
| 2 PLC | ± .005 | | | | | | |
| 3 PLC | ± .005 | | | | | | |
| 4 PLC | ± .005 | | | | | | |
| ANGLES | ± .005 | | | | | | |
| MATERIAL SEE CALLOUTS | FINISH SEE CALLOUTS | WEIGHT | | | | | |
| CUSTOMER DRAWING | | SCALE 4:1 | SHEET 1 OF 1 | REV S | | | |

X-ON Electronics

Largest Supplier of Electrical and Electronic Components

Click to view similar products for [D-Sub MIL Spec Connectors](#) category:

Click to view products by [TE Connectivity](#) manufacturer:

Other Similar products are found below :

[M85049/50-5F](#) [MDM-21PH046F](#) [850-056-0812](#) [1218697-4](#) [1484349-1](#) [17D25HV](#) [1996840-1](#) [243082-15](#) [1757682-1](#) [17D-E51218-1](#)
[17SDA15S](#) [1883533-1](#) [1883886-1](#) [1883889-1](#) [192900-0377](#) [M24308/8-347](#) [M83513/03-E09C](#) [443961-3](#) [MDM-21PH041F](#) [MDM-](#)
[21PH048F](#) [5-1218949-1](#) [550-031NF1R6K](#) [3-1236089-2](#) [550E001NF1R3J0L](#) [550T001NF1R6K0L](#) [557T283NF5B08](#) [DB121073-56](#)
[DC121073157](#) [443869-3](#) [443869-4](#) [443869-5](#) [550S004NF1R1B0F03](#) [557E283NF1A06](#) [527-019NF0303R2K1F](#) [5-446405-1](#) [550-](#)
[031NF1R2E](#) [550E003M2R9J0F04](#) [550E003M3R9J0F05](#) [550E024M104R9J0](#) [550E024NF102R3J0B](#) [550E039NF1R3J1-02](#)
[550S003M3R9B0F05](#) [550S004M4R7M0F04](#) [550S004NF1R1B1F02](#) [550S008M3F0K0F04](#) [550S086M5R3J0L](#) [550S100NF3F0E](#)
[550T001M2R7E0L](#) [550T001NF1F0B1L](#) [550T001NF1R1K0G](#)