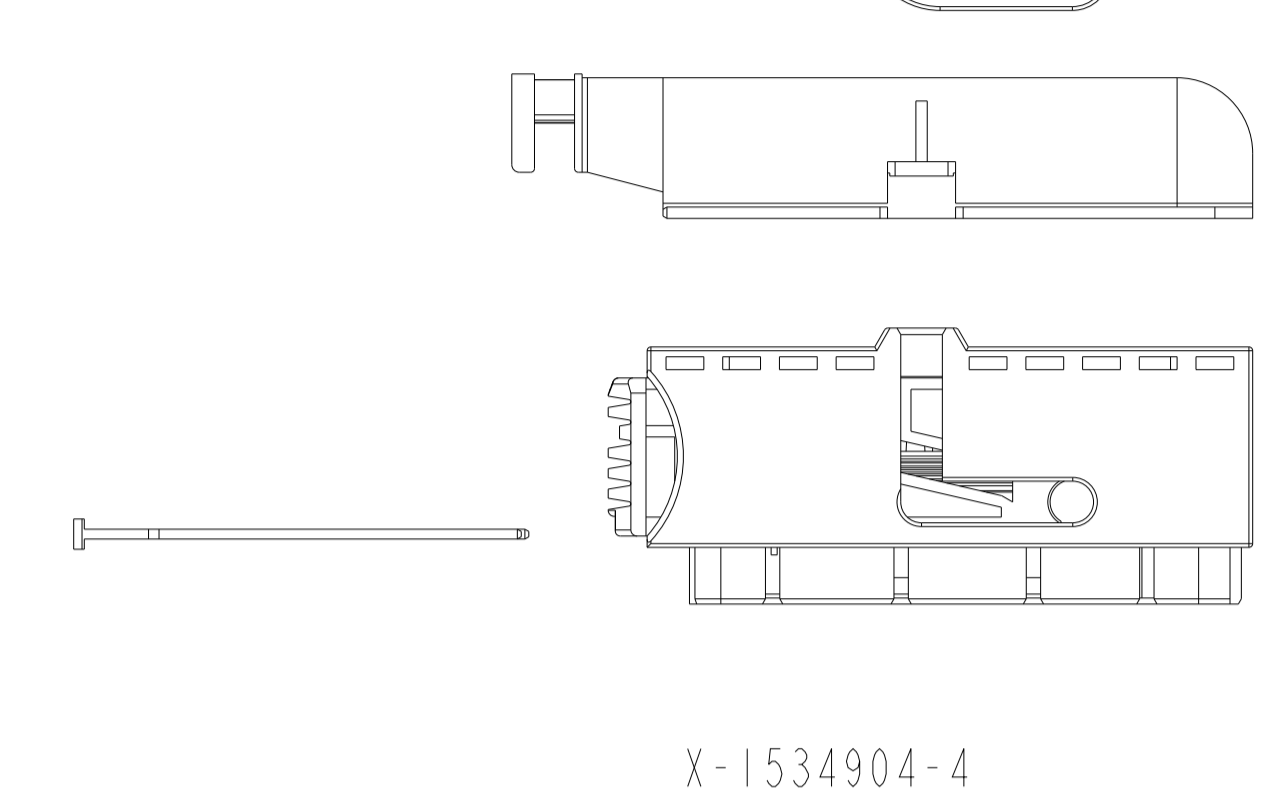
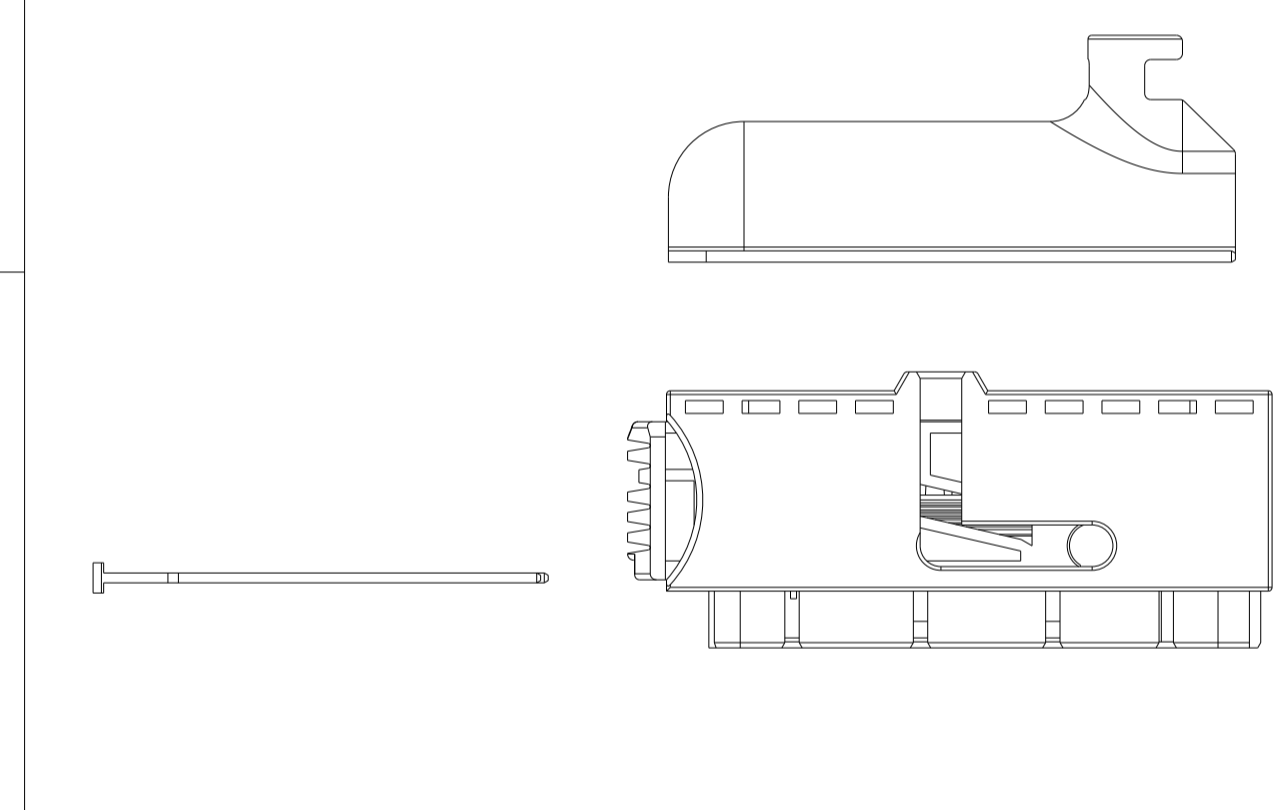


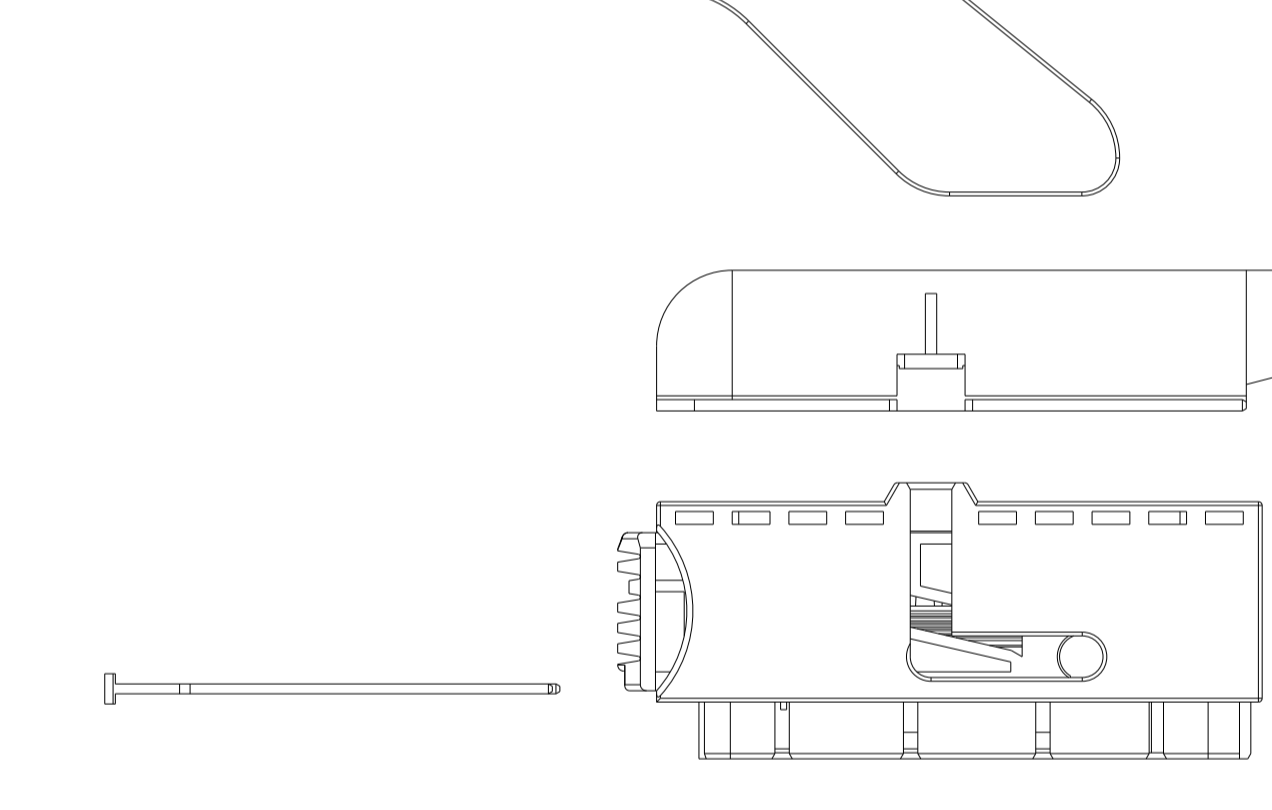
X-1534904-1



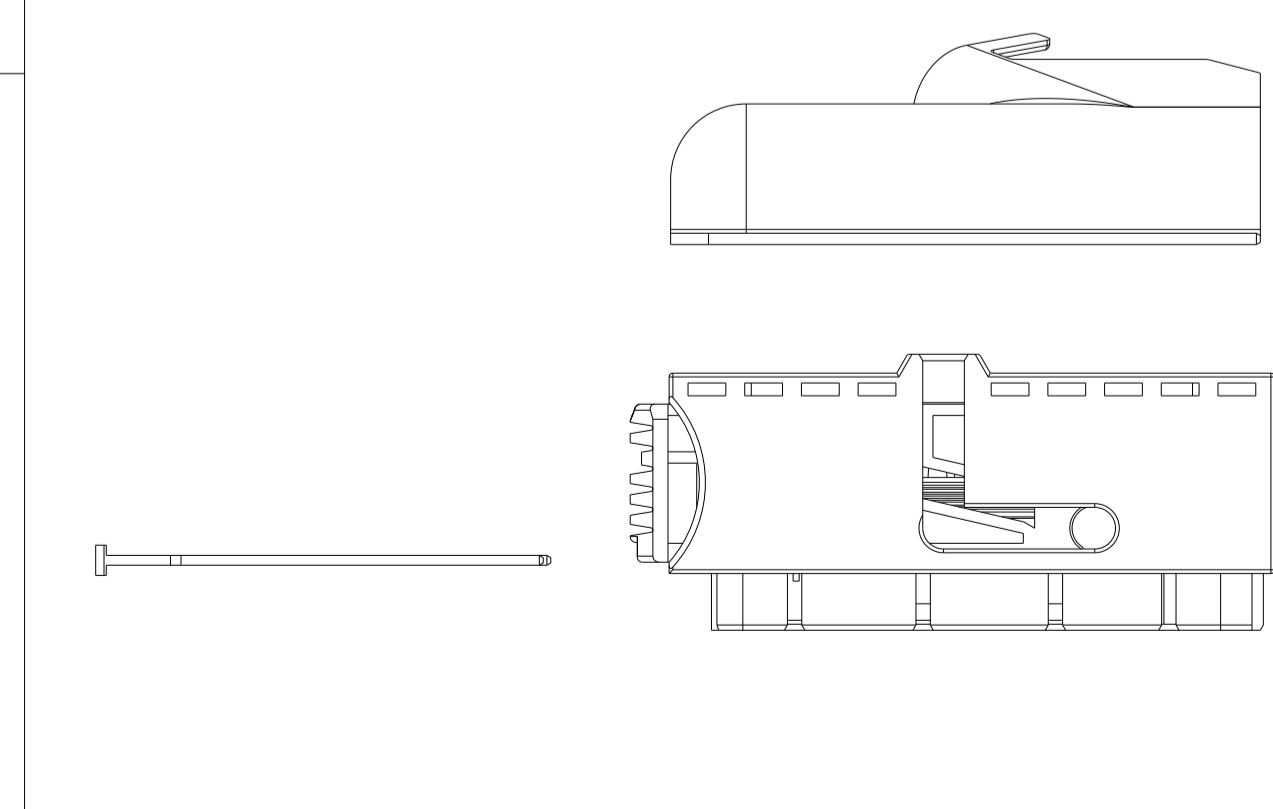
X-1534904-4



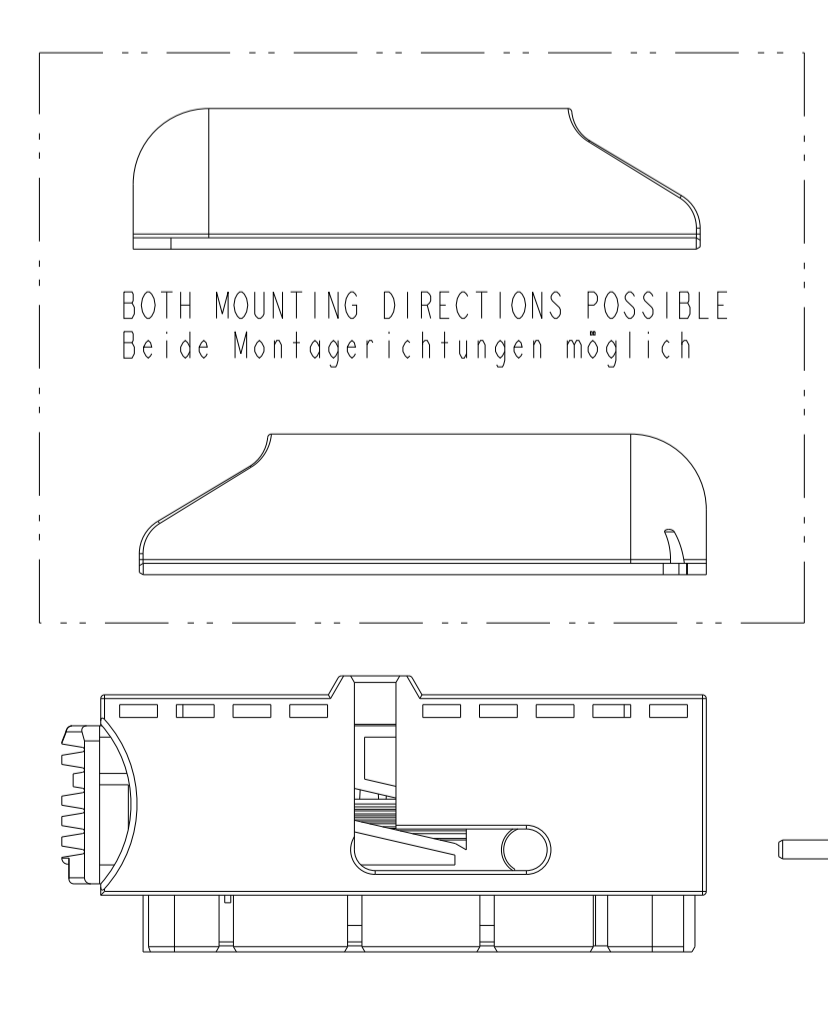
X-1534904-2



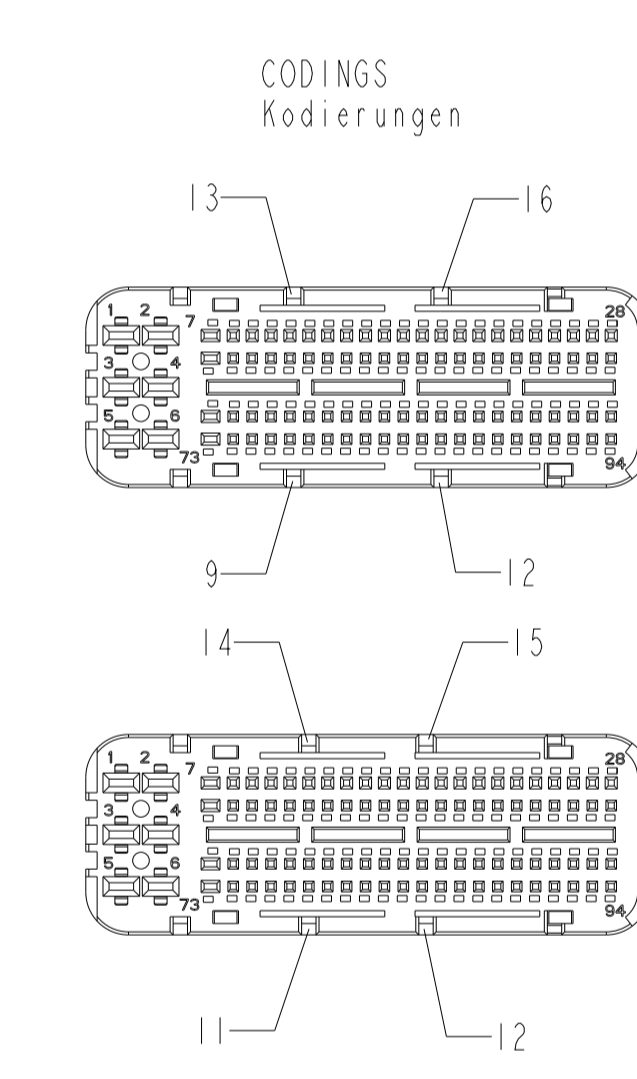
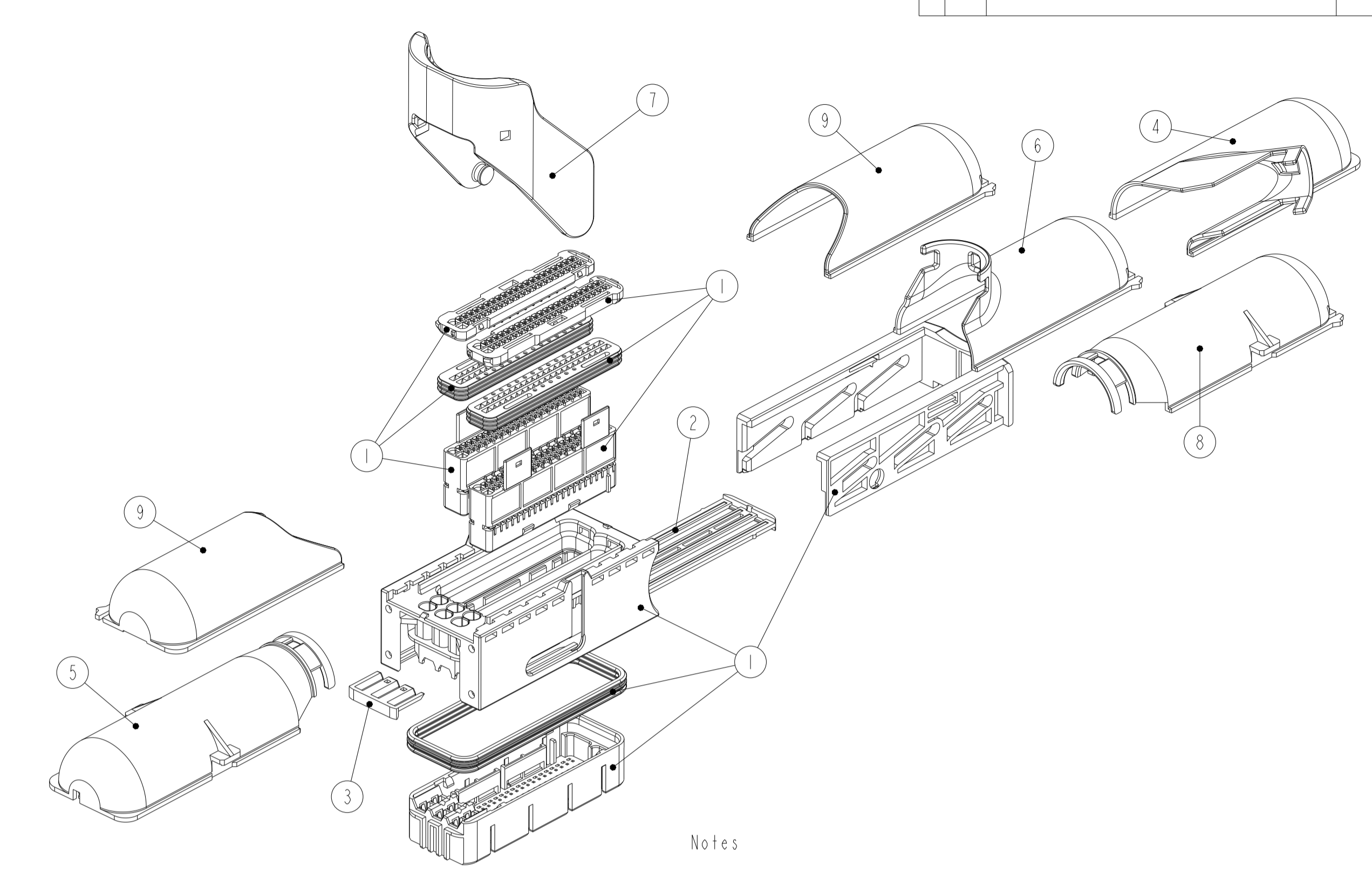
X-1534904-5



X-1534904-3



X-1534904-8



Notes

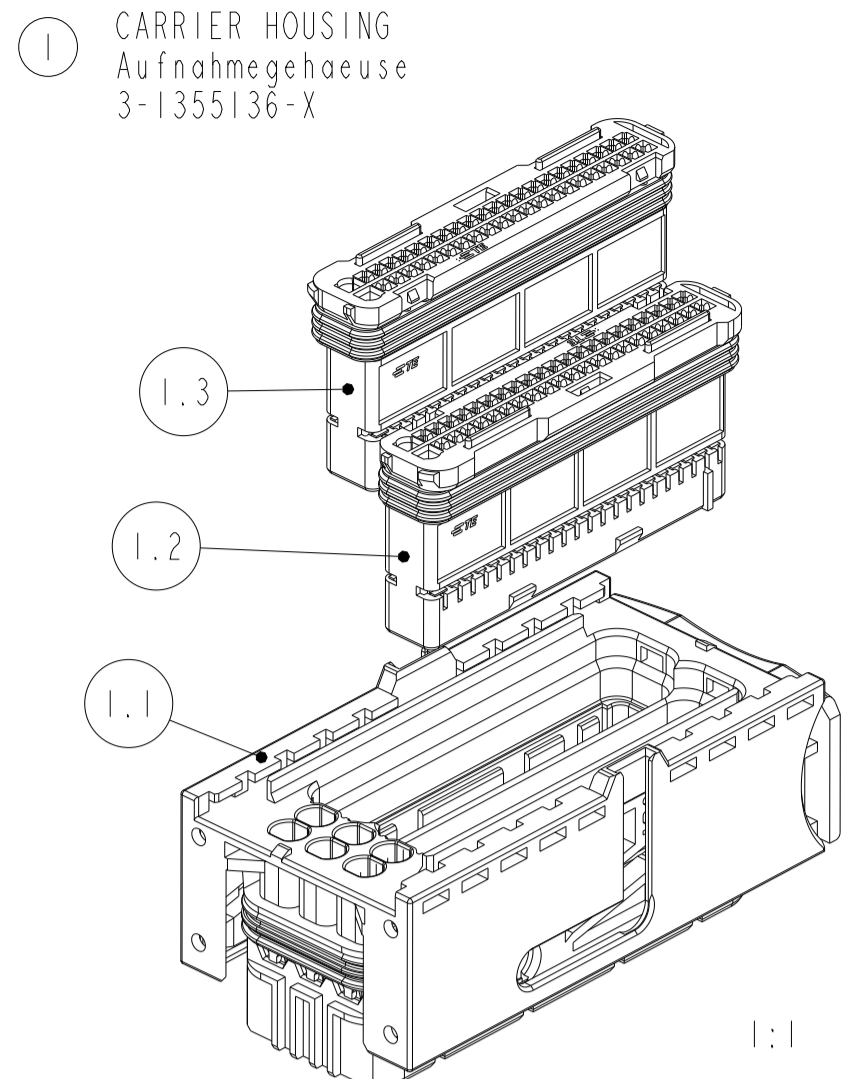
- 1 MATING PART EXECUTION ACC. TO 114-18304-002
- 2 SUITABLE CONTACTS: MOS :968220, 968221, 1534116
1,5mm CB :1241608
MCP2,8 :1241394, 1241396
SEALING PLUGS 1394871 (0.63), 1394872 (1.5)
- 3 FORM CONDITIONED DELAY OF 0,8 ADMISSIBLE
- 4 PARTS MUST BE ORDERED SEPARATELY ACC. TO THE TABLE BELOW

Bemerkungen

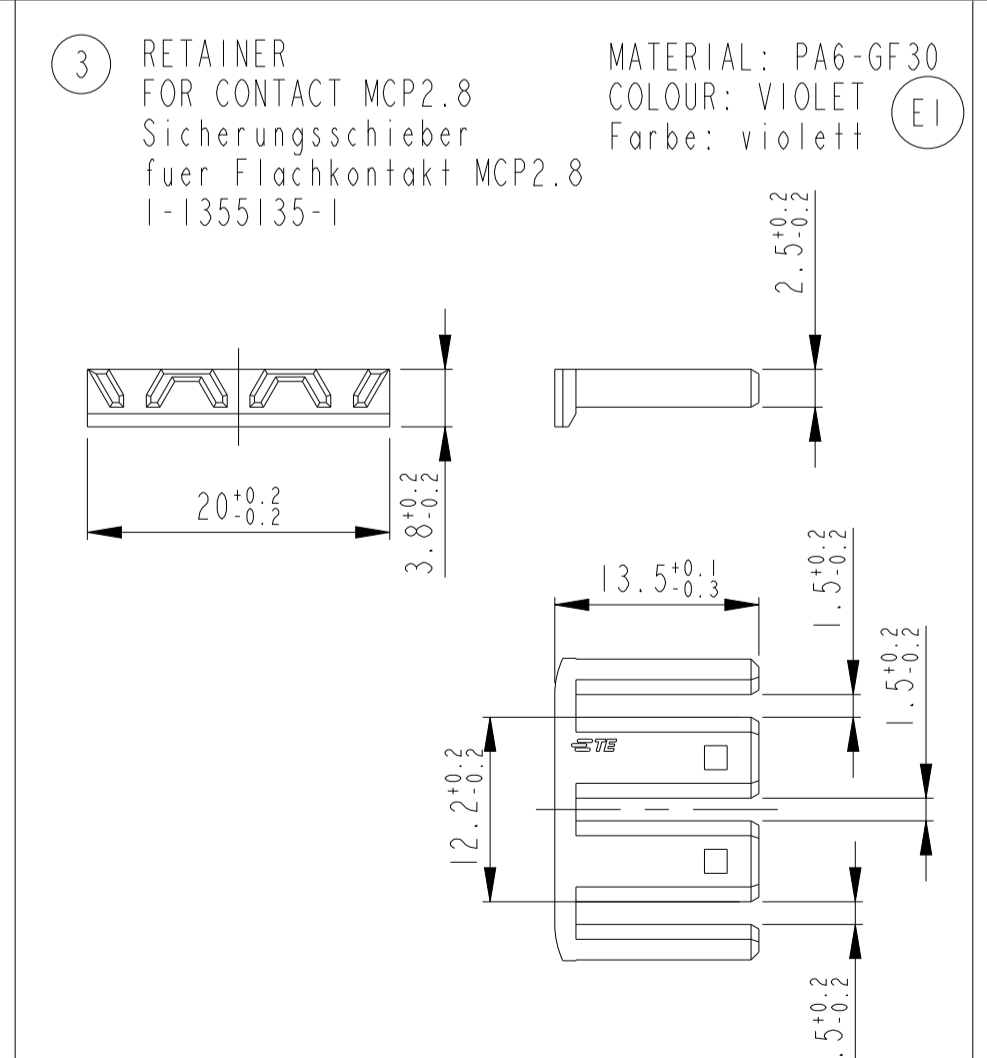
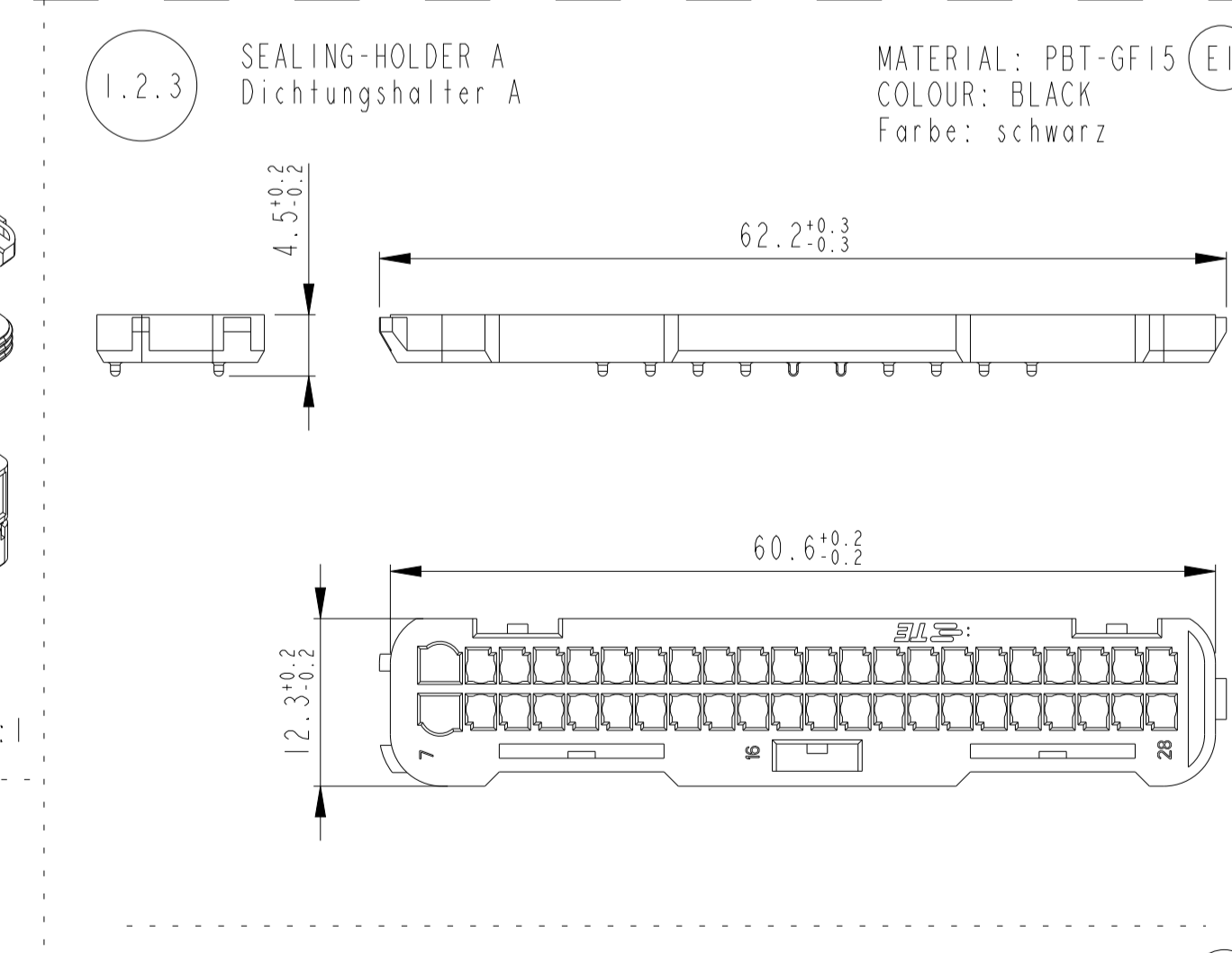
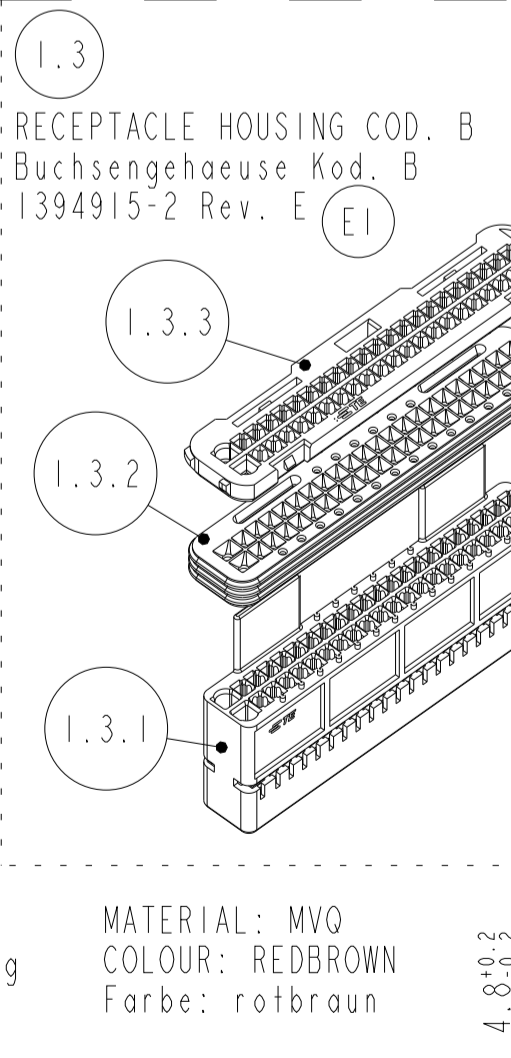
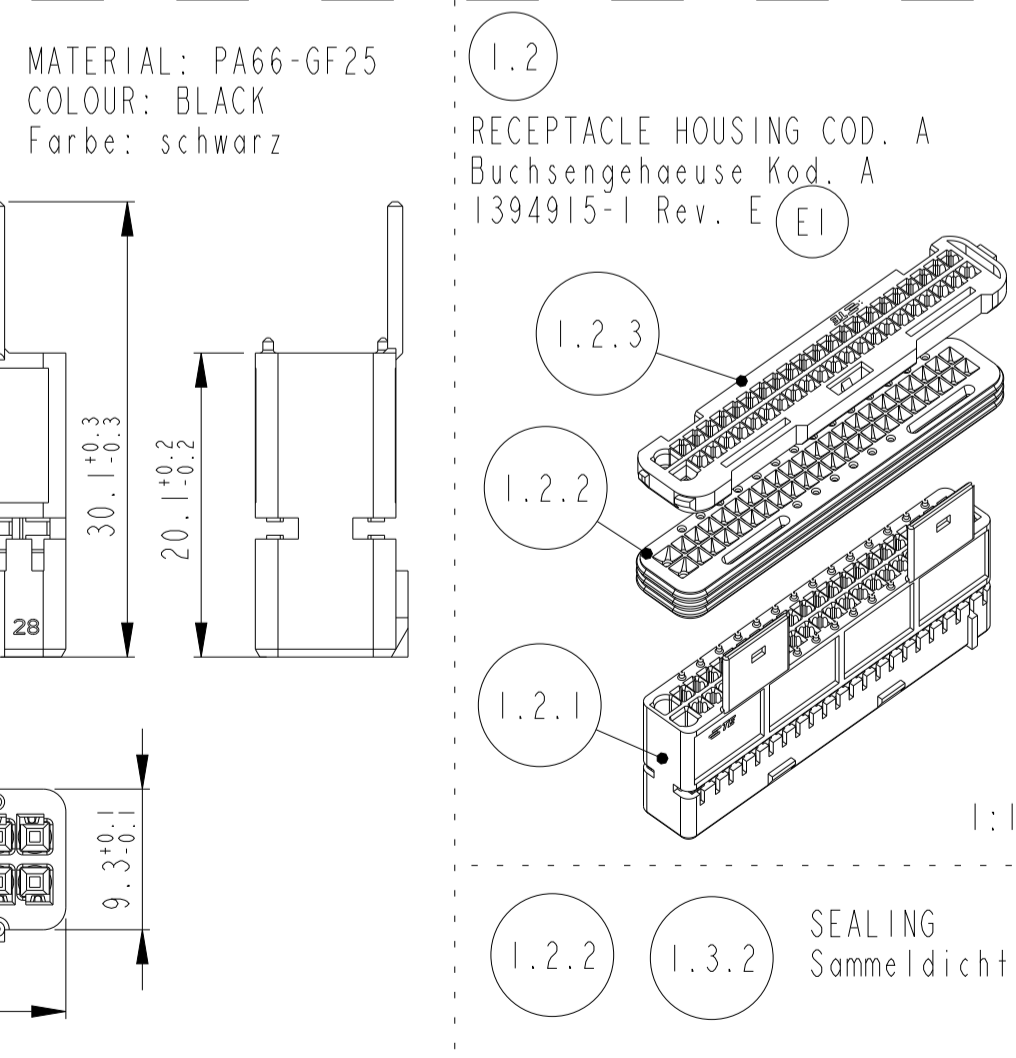
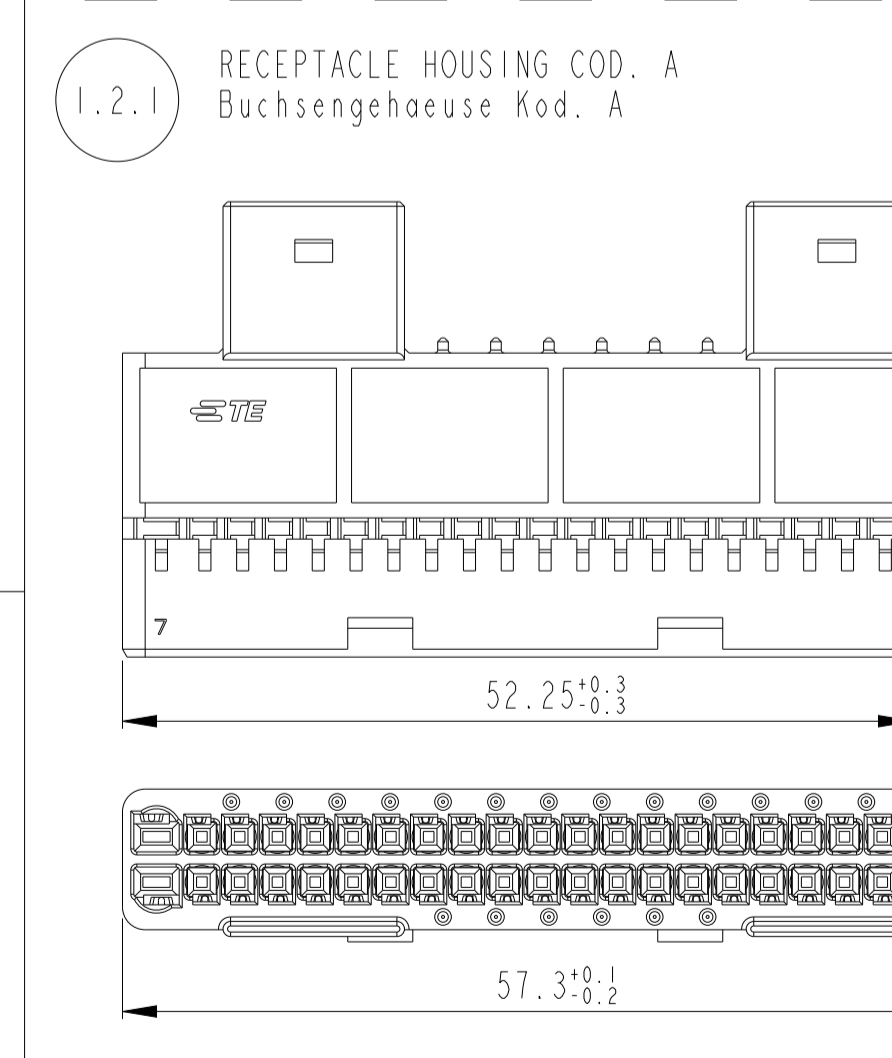
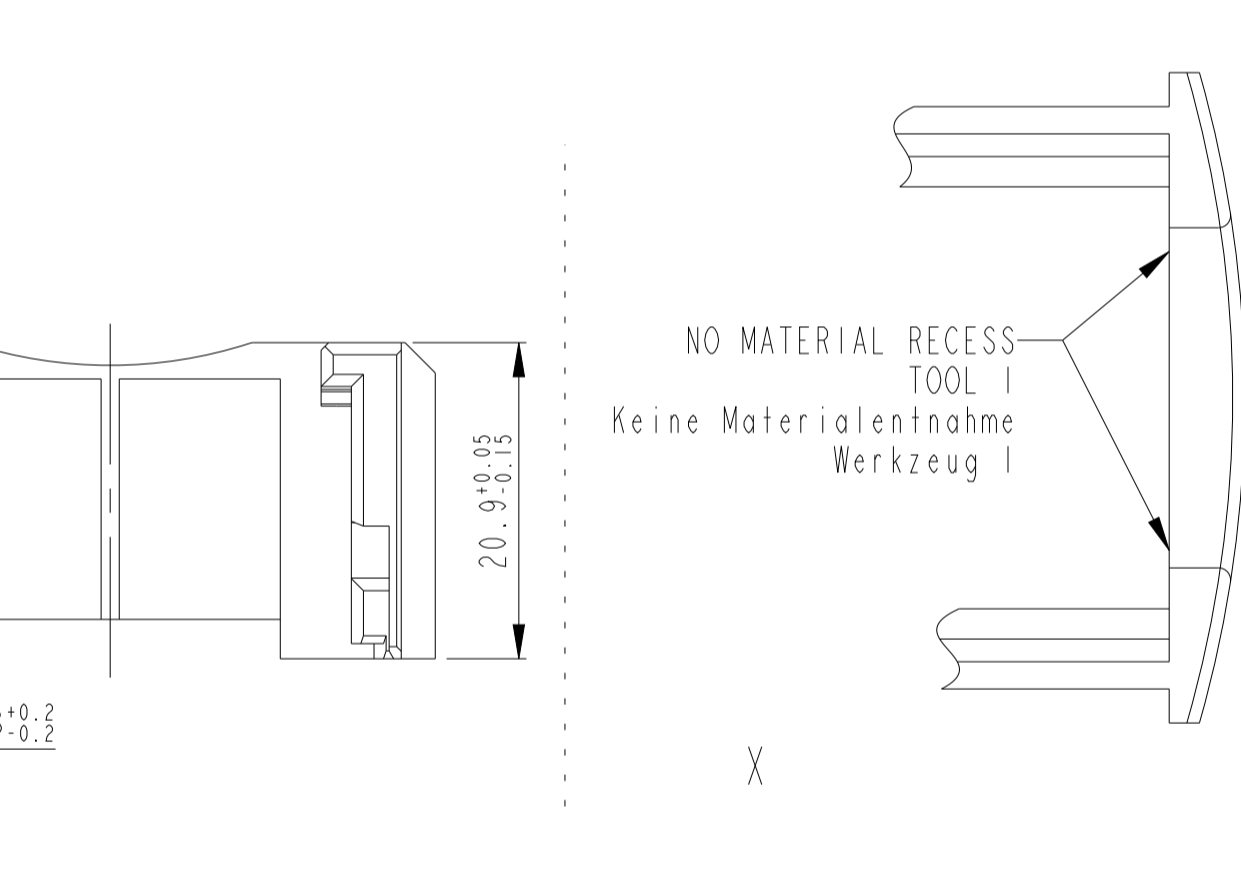
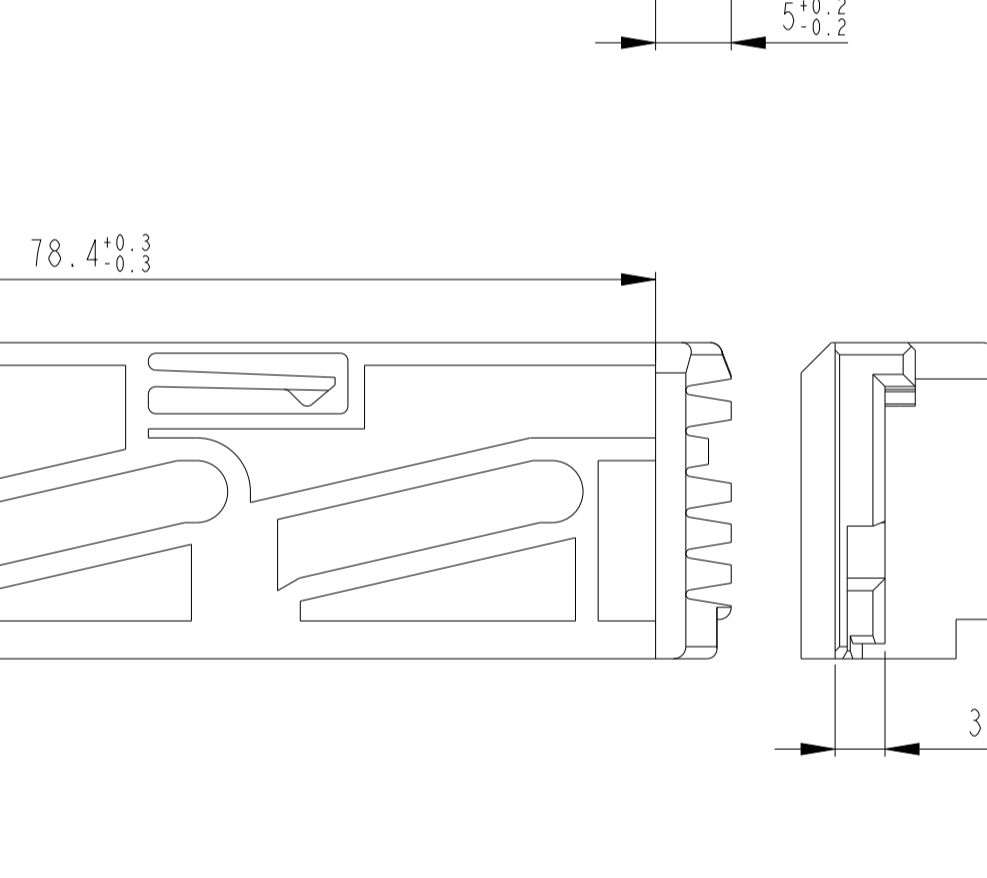
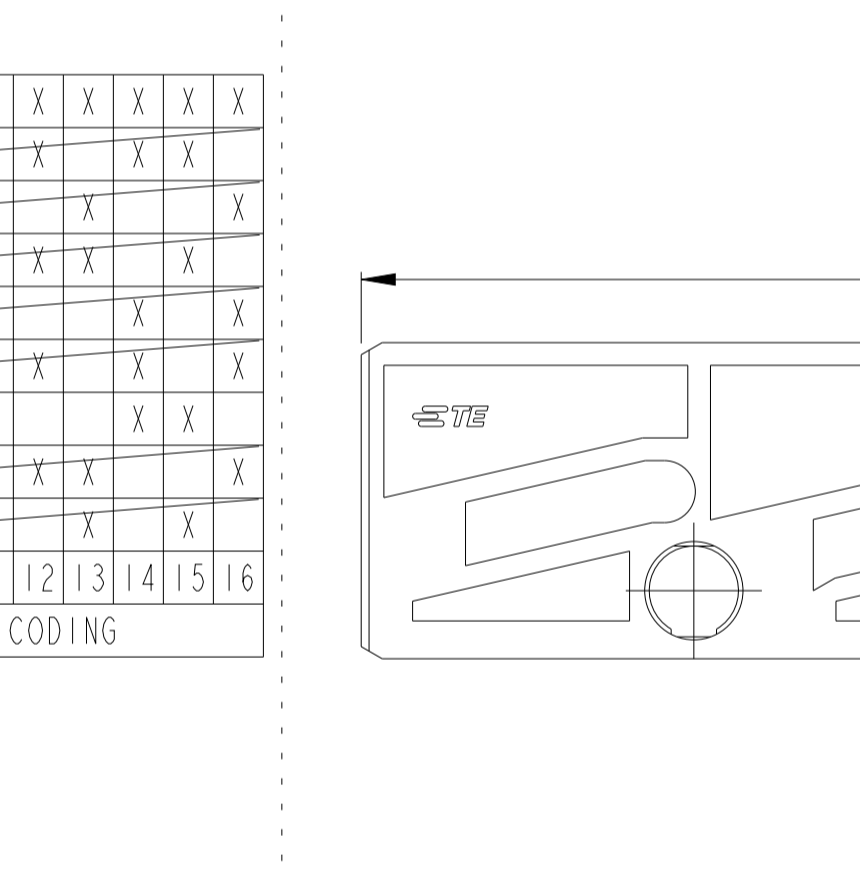
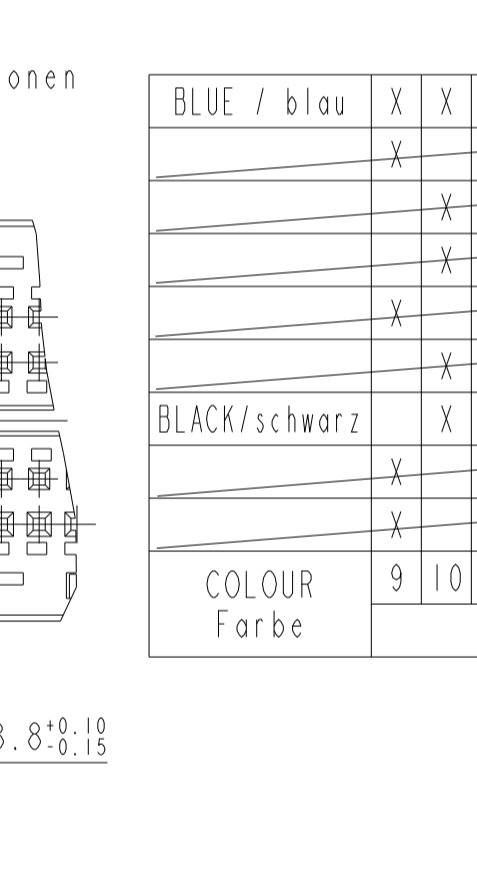
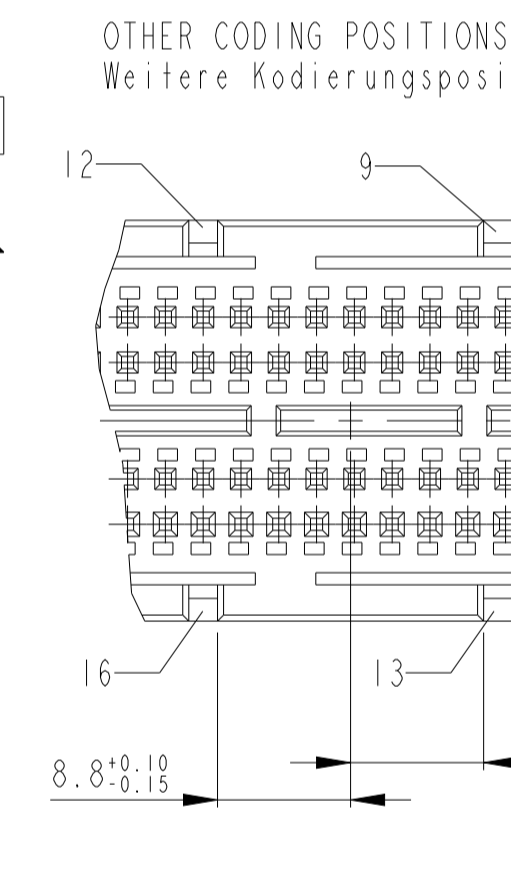
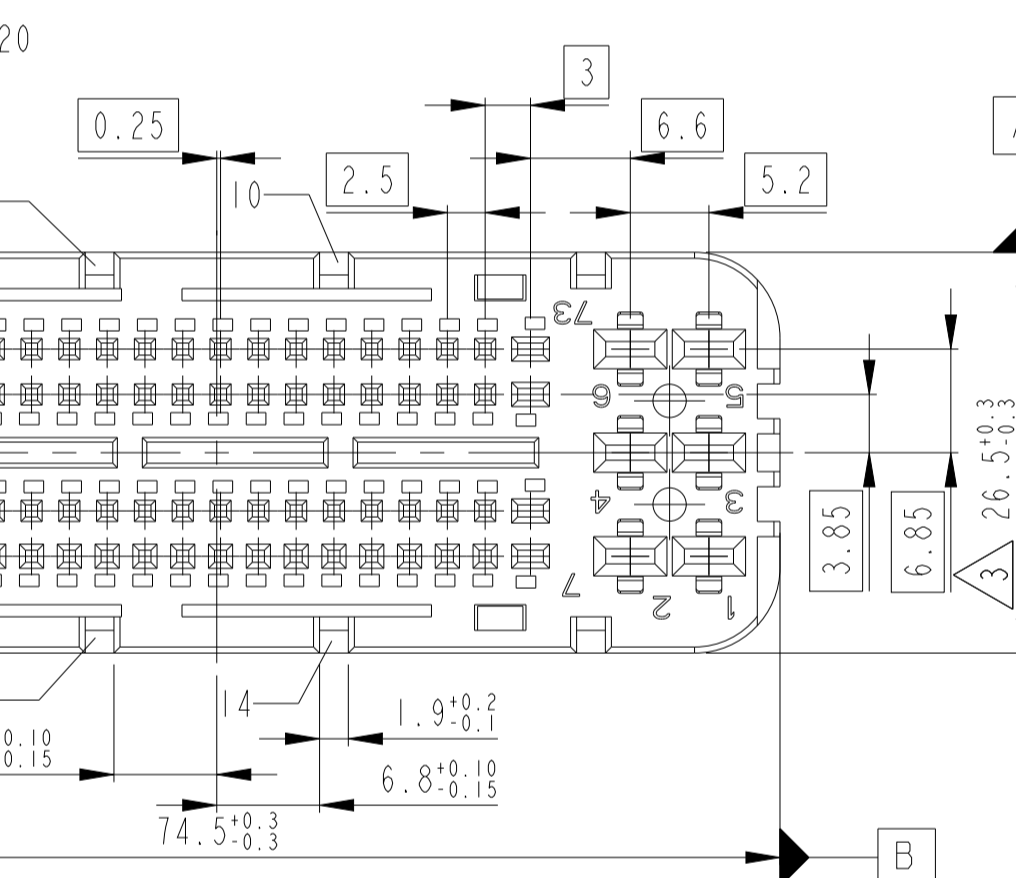
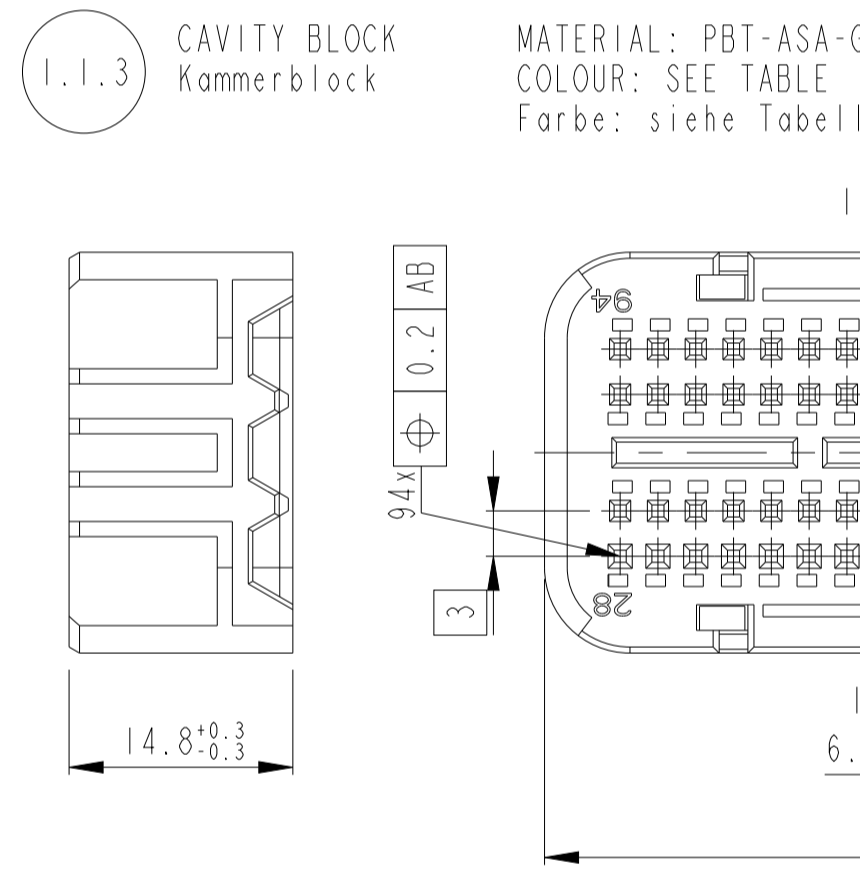
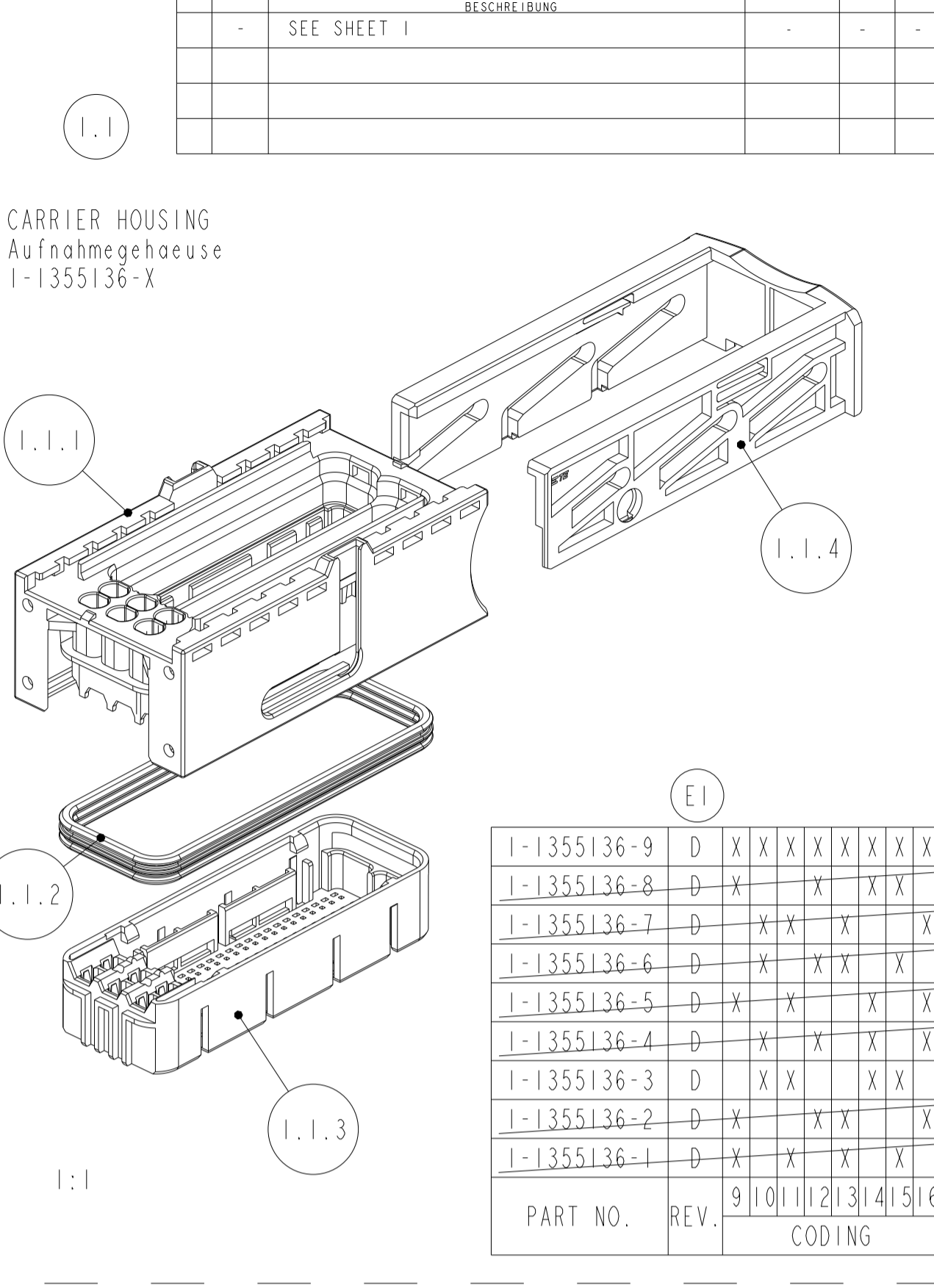
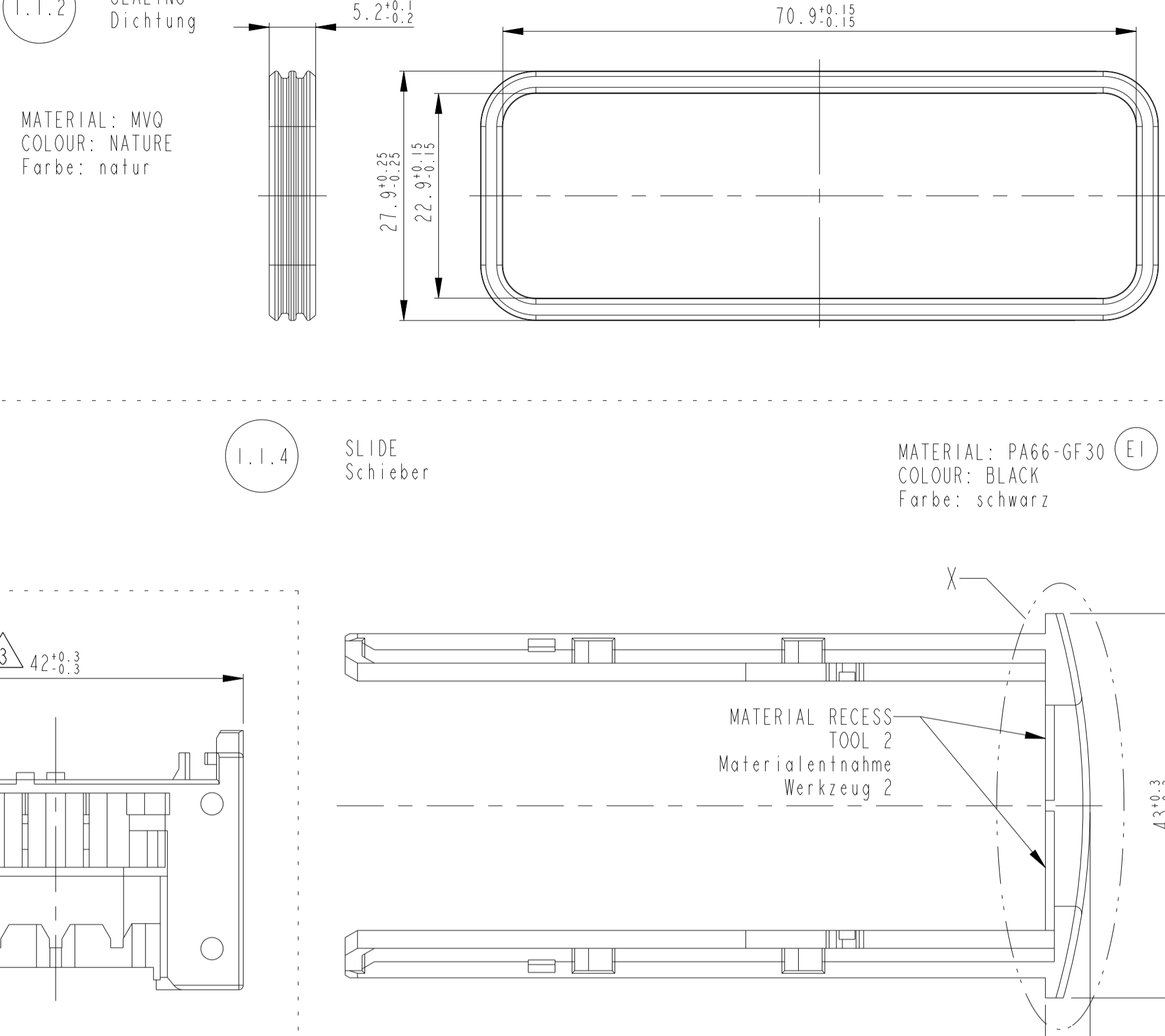
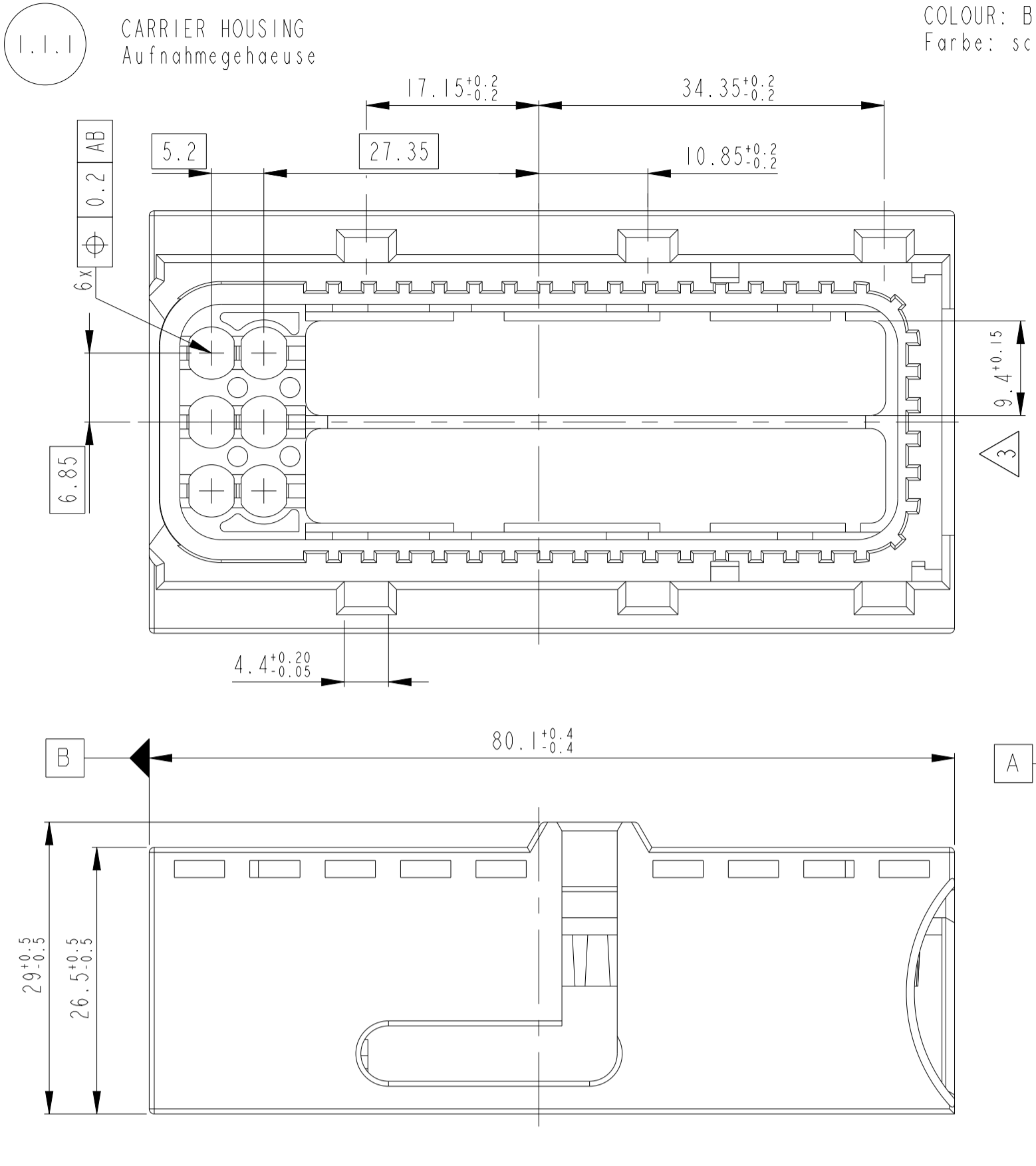
- 1 Schnittstellenausführung nach 114-18304-002
- 2 Passende Kontakte: MOS :968220, 968221, 1534116
1,5mm CB :1241608
MCP2,8 :1241394, 1241396
Dichtstifte 1394871 (0.63), 1394872 (1.5)
- 3 Formbedingter Verzug von 0,8 zulässig
- 4 Teile müssen entsprechend der unteren Tabelle einzeln bestellt werden

QTY.	QTY.	QTY.	QTY.	QTY.	QTY.	QTY.	QTY.	QTY.	QTY.	QTY.	QTY.	QTY.	QTY.	QTY.	QTY.	QTY.	QTY.	QTY.	QTY.	QTY.	
9-10-11-12 13-14-15-16	10-11-14-15	10-11-14-15	10-11-14-15	10-11-14-15	10-11-14-15	10-11-14-15	10-11-14-15	10-11-14-15	10-11-14-15	10-11-14-15	10-11-14-15	10-11-14-15	10-11-14-15	10-11-14-15	10-11-14-15	10-11-14-15	10-11-14-15	10-11-14-15	10-11-14-15	10-11-14-15	10-11-14-15
9-1534904-4	3-1534904-8	3-1534904-5	3-1534904-4	3-1534904-4	3-1534904-3	3-1534904-2	3-1534904-1	3-1534904-1	3-1534904-1	3-1534904-1	3-1534904-1	3-1534904-1	3-1534904-1	3-1534904-1	3-1534904-1	3-1534904-1	3-1534904-1	3-1534904-1	3-1534904-1	3-1534904-1	3-1534904-1
E	E	E	E	E	E	E	E	E	E	E	E	E	E	E	E	E	E	E	E	E	E

<p>THIS DRAWING IS A CONTROLLED DOCUMENT. DIESES ZEICHNUNGSDOKUMENT WIRD DURCH UNS KONTROLLIERT. ANMERKUNG: DIE EINE TECHNISCHE FORTSCHRITTS- UND VERBODEN OM TE DEZE TECHNISCHE TEGENAFBILDING TOEGANG TE VERLEN EN ALLE RECHTEN VOORBEHALTEN. DIMENSIONS: TOE FRANCES, UNLESS OTHERWISE SPECIFIED. MASS EINHEITEN: MM. ALLGEMEINER MASSSTAB: 1:1. DIMENSIONEN: TOE FRANCES, UNLESS OTHERWISE SPECIFIED. MASS EINHEITEN: MM. ALLGEMEINER MASSSTAB: 1:1.</p>	<p>DWN: R. Sellien 140K12002 CHK: B. Leonhardi 140K12002 APVD: -</p>	<p>PRODUCT SPEC: 108-13829 PRODUCT SPEC: 108-13829 APPLICATION SPEC: 114-18521 WEIGHT: - GEBIET: -</p>	<p>NAME: CONNECTOR HOUSING., 94POS. Steckverbindergehäuse., 94pol., MOS + 1.5mm Clean Body + MCP2.8 SIZE: A1 SCALE: 4:5 SHEET: 1 OF 3</p>	<p>TE Connectivity</p>
--	--	--	---	------------------------



3-1355136-9	X	X	X	X	X	X	X	X	X	X	X	X	X	X	X	
3-1355136-8	X	X	X	X	X	X	X	X	X	X	X	X	X	X	X	
3-1355136-7	X	X	X	X	X	X	X	X	X	X	X	X	X	X	X	
3-1355136-6	X	X	X	X	X	X	X	X	X	X	X	X	X	X	X	
3-1355136-5	X	X	X	X	X	X	X	X	X	X	X	X	X	X	X	
3-1355136-4	X	X	X	X	X	X	X	X	X	X	X	X	X	X	X	
3-1355136-3	X	X	X	X	X	X	X	X	X	X	X	X	X	X	X	
3-1355136-2	X	X	X	X	X	X	X	X	X	X	X	X	X	X	X	
3-1355136-1	X	X	X	X	X	X	X	X	X	X	X	X	X	X	X	
PART NO.	9	10	11	12	13	14	15	16								
CODING																



3-1355136-9	X	X	X	X	X	X	X	X	X	X	X	X	X	X	X	
3-1355136-8	X	X	X	X	X	X	X	X	X	X	X	X	X	X	X	
3-1355136-7	X	X	X	X	X	X	X	X	X	X	X	X	X	X	X	
3-1355136-6	X	X	X	X	X	X	X	X	X	X	X	X	X	X	X	
3-1355136-5	X	X	X	X	X	X	X	X	X	X	X	X	X	X	X	
3-1355136-4	X	X	X	X	X	X	X	X	X	X	X	X	X	X	X	
3-1355136-3	X	X	X	X	X	X	X	X	X	X	X	X	X	X	X	
3-1355136-2	X	X	X	X	X	X	X	X	X	X	X	X	X	X	X	
3-1355136-1	X	X	X	X	X	X	X	X	X	X	X	X	X	X	X	
PART NO.	9	10	11	12	13	14	15	16								
CODING																

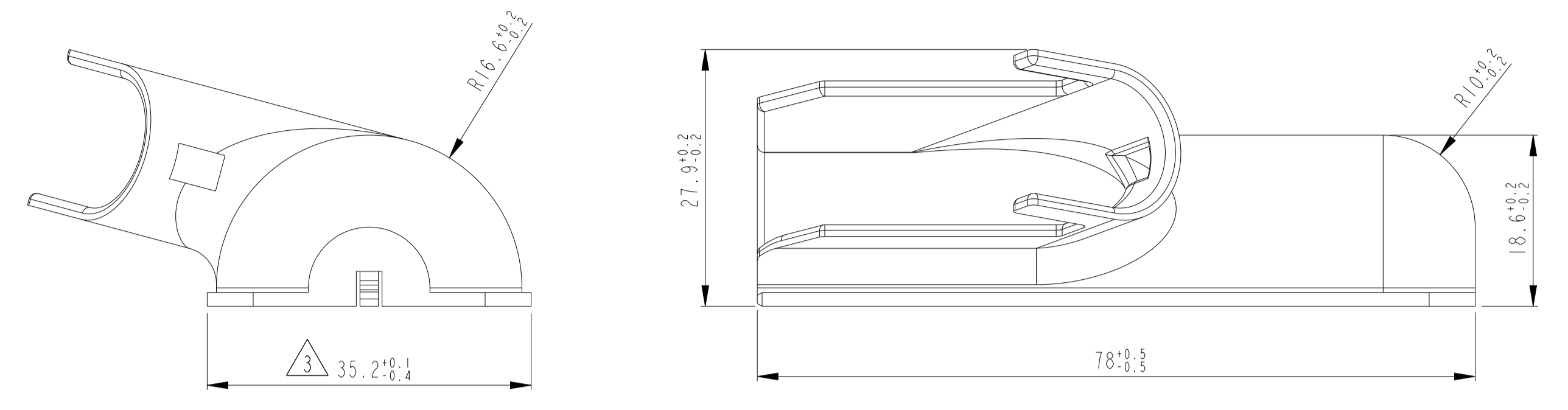
THIS DRAWING IS A CONTROLLED DOCUMENT. DIMENSIONS: UNLESS OTHERWISE SPECIFIED: ALL DIMENSIONS IN MILLIMETERS. MATERIAL: PBT-GF15 COLOUR: BROWN Farbe: braun.

DWN: R. Sellien	140KT2002	NAME: CONN. HOUSING, 94POS.
CHK: B. Leonhardt	140KT2002	PRODUCT SPEC: 108-18829
APVD: -	-	APPLICATION SPEC: 114-18521
SIZE: A1	CAGE CODE: -	DRAWING NO: 1534904
SCALE: 1:1	SHEET: 2	OF: 3

Customer Drawing /KUNDENZEICHNUNG

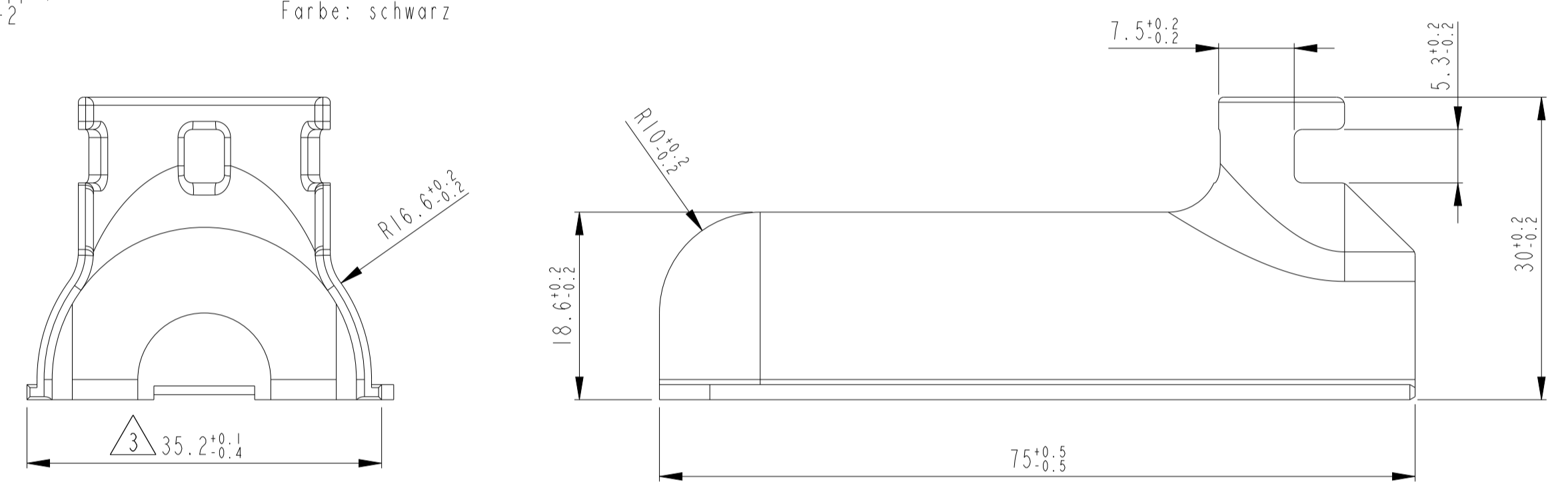
4 SHIELD, 45°
 Abdeckkappe, 45°
 1394911-2

MATERIAL: PA66-GF13
 COLOUR: BLACK
 Farbe: schwarz



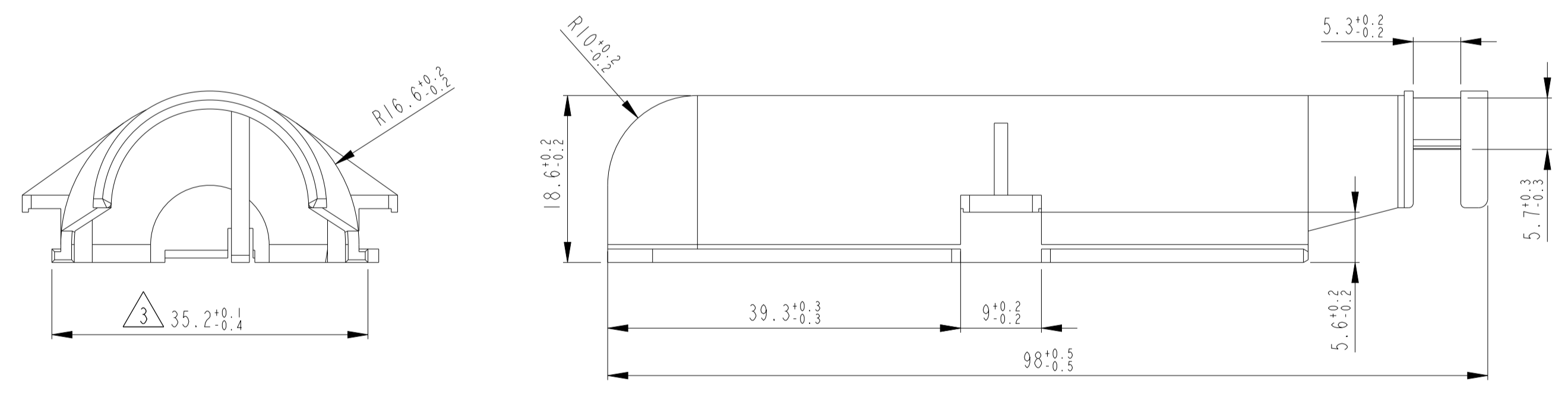
6 SHIELD, 180°
 Abdeckkappe, 180°
 1394909-2

MATERIAL: PA66-GF13
 COLOUR: BLACK
 Farbe: schwarz



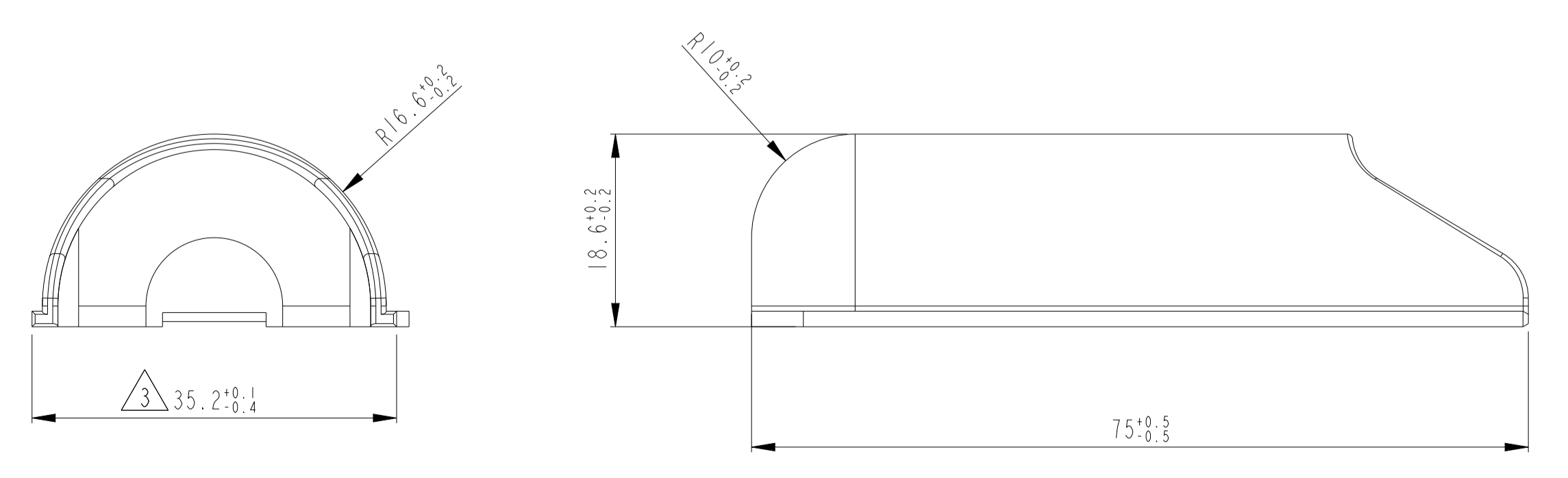
5 SHIELD, 90°
 Abdeckkappe, 90°
 1-1355132-2

MATERIAL: PA66-GF13
 COLOUR: BLACK
 Farbe: schwarz



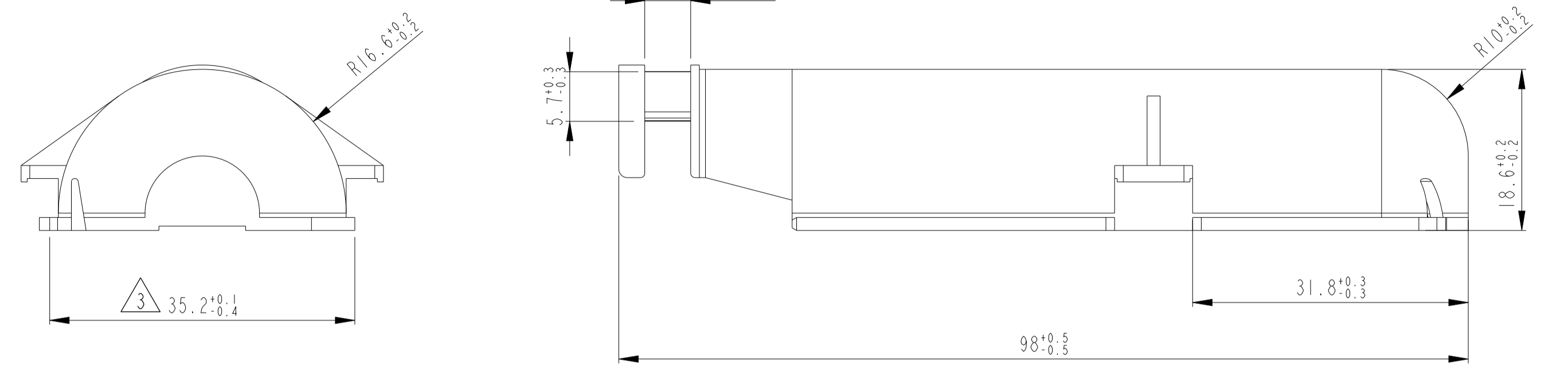
9 SHIELD, UNIVERSAL
 Abdeckkappe, universal
 1-1670425-1

MATERIAL: PA66-GF13
 COLOUR: BLACK
 Farbe: schwarz



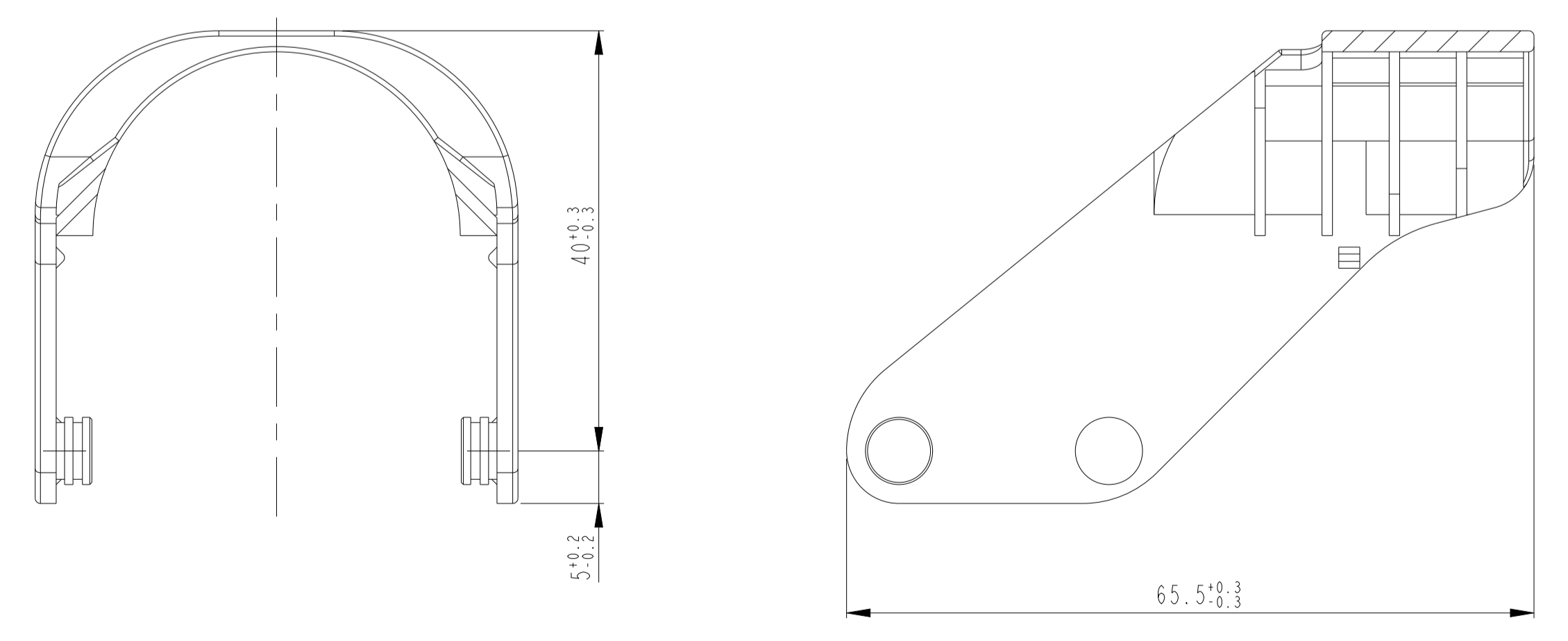
8 SHIELD, 90° REVERSE
 Abdeckkappe, 90° gedreht
 2-1355132-1

MATERIAL: PA66-GF13
 COLOUR: BLACK
 Farbe: schwarz

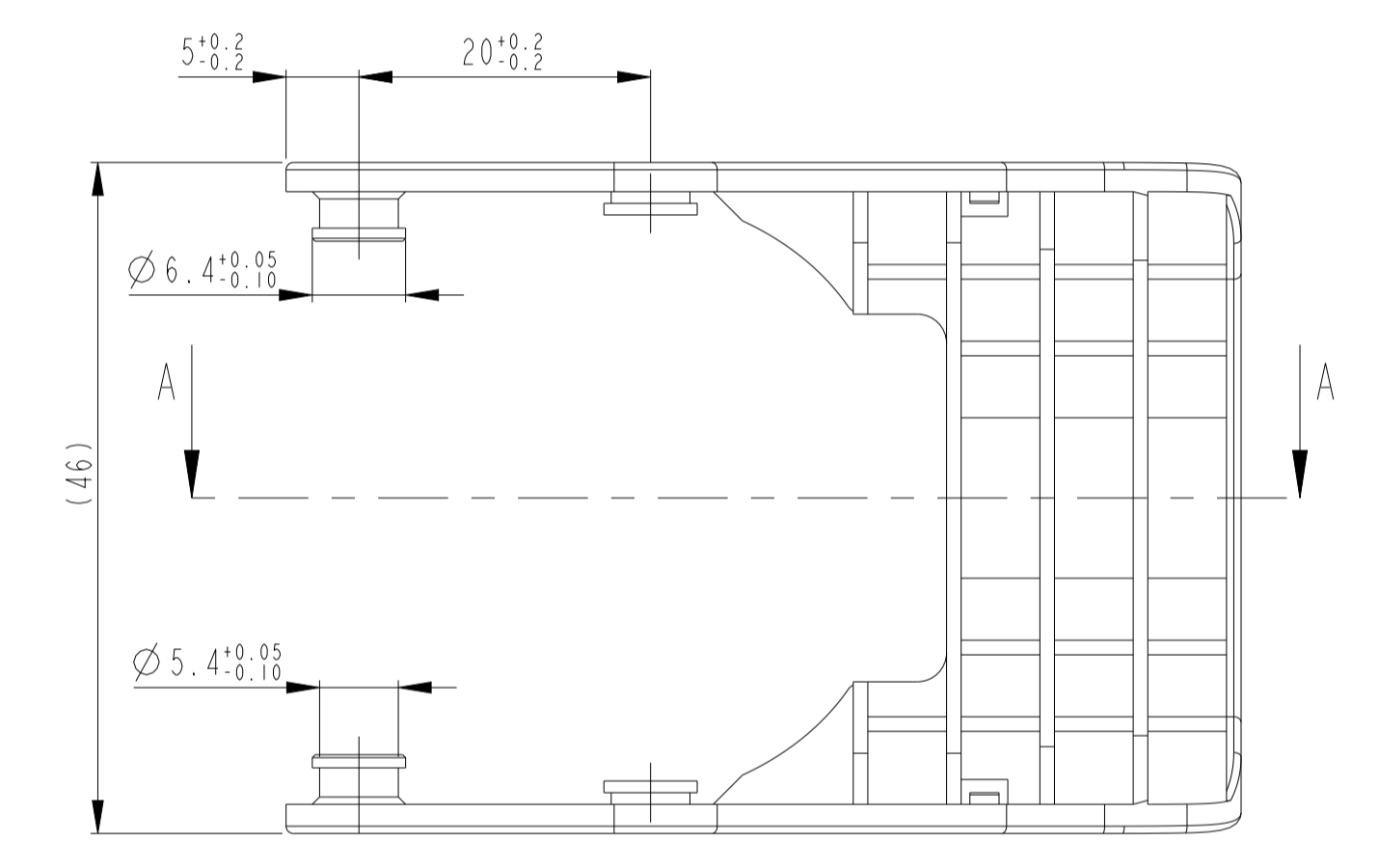


7 LEVER FOR RECEPTACLE HOUSING
 Hebel fuer Aufnahmegehaeuse
 1-1355133-1

MATERIAL: PA66-GF30
 COLOUR: BLACK
 Farbe: schwarz



PROJECT NO.:		REVISIONS		
EGAUT000243		ÄNDERUNGEN	DATE	APVD
P.	LYN	DESCRIPTION		
		BESCHREIBUNG		
-		SEE SHEET 1	-	-



THIS DRAWING IS A CONTROLLED DOCUMENT. DIESER ZEICHNUNGSHEFT WIRD DURCH UNS KONTROLLIERT. ÄNDERUNGEN, DIE SICH TECHNISCHER FORTSCHRITT DURCH SICH VERBREITEN SIND UNTERSCHIEDLICHEN ANMERKUNGSSTAND ORDNUNG UND ANZAHL		OWN K. Sellien 140RT2002	NAME	CONNECTIONS
DIMENSIONS: TO DIMENSIONS, UNLESS OTHERWISE SPECIFIED. MASSEINHEITEN: MM		CHK B. Leonhardt	PRODUCT SPEC 108-18829	STE TE Connectivity
FINISH: UNLESS OTHERWISE SPECIFIED		APVD	APPLICATION SPEC	CONNECTOR HOUSING, 94POS. Steckverbindergehaeuse, 94pol., MOS + 1.5mm Clean Body + MCP2.8
MATERIAL		SIZE A1	SCALE 1:1	RESTRICTED TO NUR FÜR
Customer Drawing		Customer Drawing	Customer Drawing	Customer Drawing

X-ON Electronics

Largest Supplier of Electrical and Electronic Components

Click to view similar products for [Automotive Connectors](#) category:

Click to view products by [TE Connectivity](#) manufacturer:

Other Similar products are found below :

[003-018-000](#) [60403001](#) [60993906-B](#) [M902-2131](#) [M902-2161](#) [72.330.1035.1](#) [73.353.4028.0](#) [F119300-B](#) [F166900](#) [F258300-B](#) [F358300-B](#)
[F407400](#) [F444110](#) [F487000](#) [F509500B-B](#) [827153-1](#) [8N1515-32-24P](#) [9-1326729-8](#) [925474-1](#) [928905-1](#) [964562-4](#) [968782-1](#) [GT17SA-8DS-](#)
[HU](#) [98891-1012](#) [98947-1016](#) [12004147](#) [12004475-L](#) [12010290](#) [12010309-B](#) [12015454](#) [12020219-B](#) [12020308](#) [12041318-B](#) [12052225-L](#)
[12052466](#) [12059125](#) [12064869](#) [12004327-B](#) [12010503-B](#) [12015308](#) [12015384](#) [12015909](#) [1-21030-1](#) [12041254](#) [12041318](#) [12047946-B](#)
[12047957](#) [12047957-L](#) [12059473](#) [12066261](#)